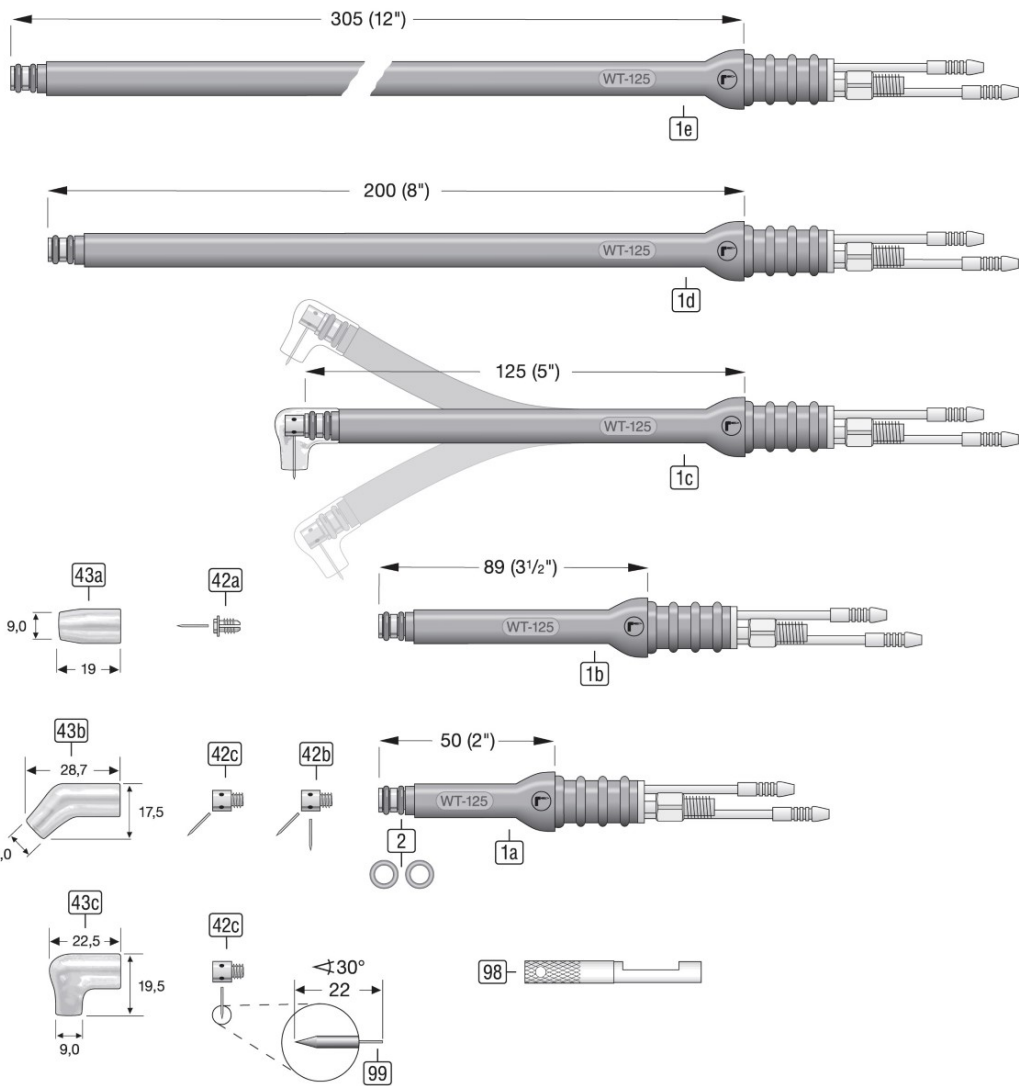


Data Sheet

WT125S/ WT125/ WT125F/ WT125M/ WT125L

WeldTec



00.DBL-8560122S-122L

01/2022

Reproduction and distribution of this publication in any form- even in parts - without prior permission is forbidden.

TIG Torch WT125S,WT125,WT125F,WT125M,WT125L**Wearing parts**

#	Item description	Part no
42a	Chuck Ø0,5mm 0° [125C20] WT-60/125	8512125C020
	Chuck Ø1,0mm 0° [125C40] WT-60/125	8512125C040
	Chuck Ø1,6mm 0° [125C116] WT-60/125	8512125C116
	Chuck Ø2,4mm 0° [125C332] WT-60/125	8512125C332
42b	Chuck Ø1,0mm 45/90° [125C40C] WT-60/125	8512125C040C
	Chuck Ø1,6mm 45/90° [125C116C] WT-60/125	8512125C116C
42c	Chuck Ø2,4mm 45° [125C332-45]WT-60/125	8512125C332-45
	Chuck Ø2,4mm 90° [125C332-90]WT-60/125	8512125C332-90
43a	Glass Nozzle 0° Quartz [125N180Q] WT-60/125	85912N180Q
43b	Glass Nozzle 45° Quarz [125N45Q] WT-60/125	85912N45Q
43c	Glass Nozzle 90° Quarz [125N90Q] WT-60/125	85912N90Q
98	Wrench [53N20] WT-24/60/125	85521002
99	Tungsten Electrode Ø1,6mm L=22mm WC20 grey 2% Ceroxid sharpened	85831600-022S

Components

#	Item description	Part no
1a	Torch Body WT-125S water cooled	8560112S
1b	Torch Body WT-125 water cooled	8560112S
1c	Torch Body WT-125F water cooled	85601122
1d	Torch Body WT-125M water cooled	8560112M
1e	Torch Body WT-125L water cooled	8560112L
2	O-ring [98W77] WT-9/20/60/125	85509-98W77-W