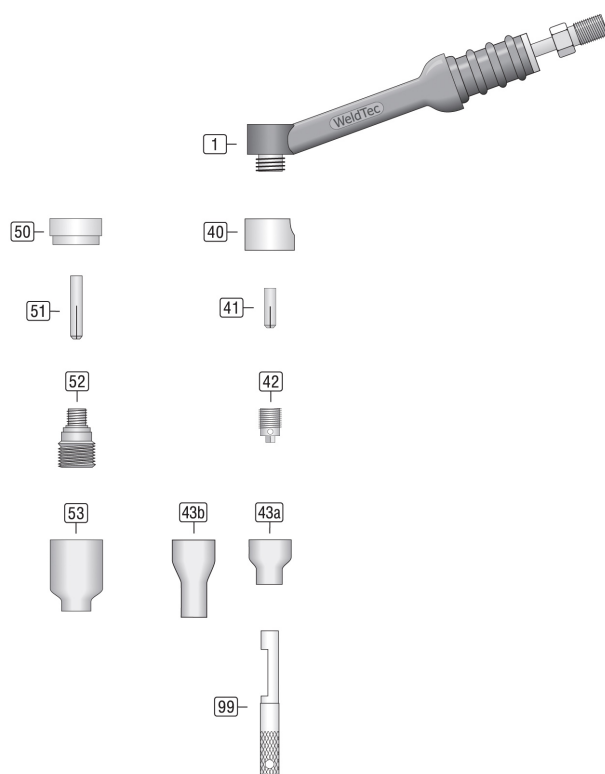




Fiche technique

WT24G

WeldTec



00.DBL-8560124G-124G

01/2022

Torche TIG WT24G

Équipement

Pos.	Désignation de l'article	Numéro d'article
40	Isolateur [53N22] WT-24/24W	85504222-W
41	Pince Ø0,5mm L=14mm [53N15] WT-24/24W	85113150-W
	Pince Ø1,0mm L=14mm [53N16] WT-24/24W	85113160-W
	Pince Ø1,6mm L=14mm [53N14] WT-24/24W	85113140-W
	Pince Ø2,4mm L=14mm [24C332] WT-24/24W	85113320-W
42	Porte pince Ø0,5mm [53N17] WT-24G/24W	85123170-W
	Porte pince Ø1,0mm [53N18] WT-24/24W	85123180-W
	Porte pince Ø1,6mm [53N19] WT-24/24W	85123190-W
	Porte pince Ø2,4mm [24CB332] WT-24/24W	85123320-W
43a	Buse #6 iØ9,6mm L=16,5mm [53N27A] WT-24/24W	85253270-W
43b	Buse #6 iØ9,6mm L=29mm [53N26] WT-24/24W	85253260-W
50	Isolateur Diffuseur de gaz [53N66] WT-24/24W	85504660-W
51	Pince Ø0,5mm L=23mm [53N62] WT-24/24W	85113620-W
	Pince Ø1,0mm L=23mm [53N63] WT-24/24W	85113630-W
	Pince Ø1,6mm L=23mm [53N64] WT-24/24W	85113640-W
	Pince Ø2,4mm L=23mm [24GLC332] WT-24/24W	85113323-W
52	Diffuseur de gaz Ø0,5mm [45V41] WT-9/20/24/25 SW-320 WT-22/23	85134541-W
	Diffuseur de gaz Ø1,0mm [45V42] WT-9/20/24/25 SW-320 WT-22/23	85134542-W
	Diffuseur de gaz Ø1,6mm [45V43] WT-9/20/24/25 SW-320 WT-22/23	85134543-W
	Diffuseur de gaz Ø2,4mm [45V44] WT-9/20/24/25 SW-320 WT-22/23	85134544-W
53	Buse #4 iØ6,4mm L=25mm [53N58] WT-9/20/24/25 SW-320 WT-22/23	85253580-W
	Buse #5 iØ8,0mm L=25mm [53N59] WT-9/20/24/25 SW-320 WT-22/23	85253590-W
	Buse #6 iØ9,6mm L=25mm [53N60] WT-9/20/24/25 SW-320 WT-22/23	85253600-W
	Buse #7 iØ11,2mm L=25mm [53N61] WT-9/20/24/25 SW-320 WT-22/23	85253610-W
99	Clé [53N20] WT-24/60/125	85521002

Components

Pos.	Désignation de l'article	Numéro d'article
1	Corp de torche WT-24 refroidi avec de l'air	8560124G