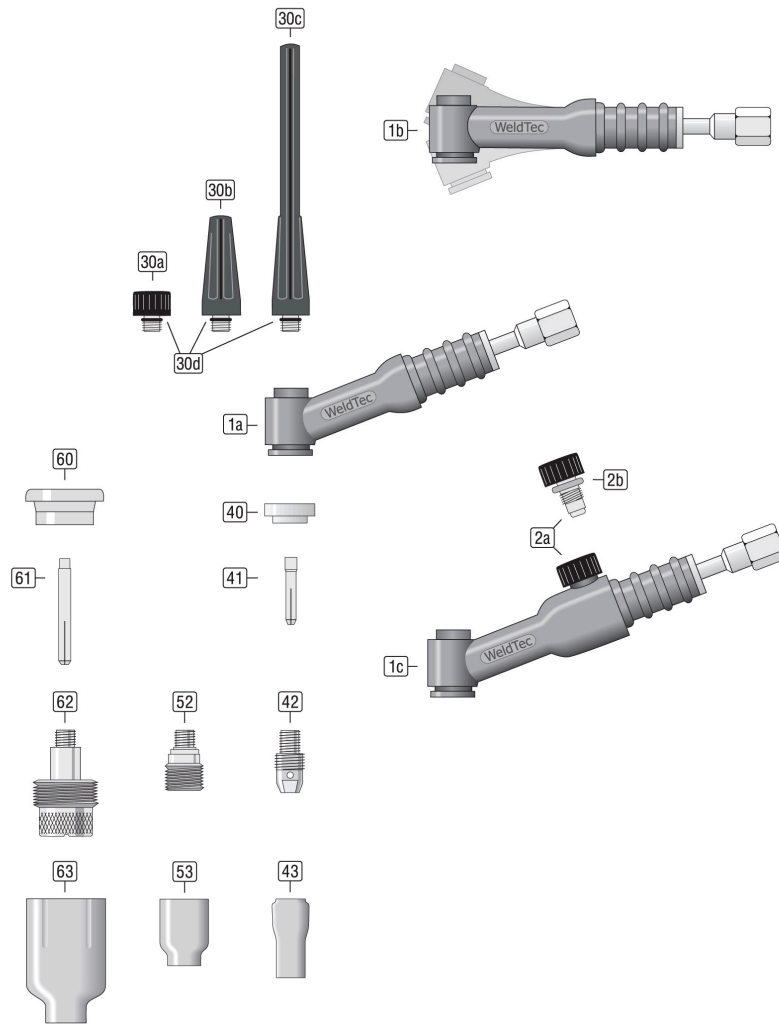


Data Sheet

WT9 WT9F WT9V

WeldTec



00.DBL-85601090-1092

01/2022

Reproduction and distribution of this publication in any form- even in parts - without prior permission is forbidden.

© Rohrman Schweißtechnik GmbH - Viersen - Germany - www.rohrman.de - info@rohrman.de

TIG Torch WT9/ WT9F/ WT9V**Wearing parts**

#	Item description	Part no
30a	Back Cap short [41V33] WT-9/20 SW320	85741330-W
30b	Back Cap medium [41V35] WT-9/20 SW-320	85741350-W
30c	Back Cap long [41V24] WT-9/20 SW-320	85741240-W
30d	O-ring [98W77] WT-9/20/60/125	85509-98W77-W
40	Insulator Standard [598882] WT-9/20/25 SW-320 WT-22/23	85504820-W
41	Collet Ø0,5mm L=25mm [13N20] WT-9/20/25 SW-320 WT-22/23	85113200-W
	Collet Ø1,0mm L=25mm [13N21] WT-9/20/25 SW-320 WT-22/23	85113210-W
	Collet Ø1,6mm L=25mm [13N22] WT-9/20/25 SW-320 WT-22/23	85113220-W
	Collet Ø2,4mm L=25mm [13N23] WT-9/20/25 SW-320 WT-22/23	85113230-W
	Collet Ø3,2mm L=25mm [13N24] WT-9/20/25 SW-320 WT-22/23	85113240-W
42	Collet Body Ø0,5mm [13N25] WT-9/20/25 SW-320 WT-22/23	85123250-W
	Collet Body Ø1,0mm [13N26] WT-9/20/25 SW-320 WT-22/23	85123260-W
	Collet Body Ø1,6mm [13N27] WT-9/20/25 SW-320 WT-22/23	85123270-W
	Collet Body Ø2,4mm [13N28] WT-9/20/25 SW-320 WT-22/23	85123280-W
	Collet Body Ø3,2mm [13N29] WT-9/20/25 SW-320 WT-22/23	85123290-W
43	Nozzle #4 iØ6,4mm L=30mm [13N08] WT-9/20/25 SW-320 WT-22/23	85213080-W
	Nozzle #5 iØ8,0mm L=30mm [13N09] WT-9/20/25 SW-320 WT-22/23	85213090-W
	Nozzle #6 iØ9,6mm L=30mm [13N10] WT-9/20/25 SW-320 WT-22/23	85213100-W
	Nozzle #7 iØ11,2mm L=30mm [13N11] WT-9/20/25 SW-320 WT-22/23	85213110-W
	Nozzle #8 iØ12,8mm L=30mm [13N12] WT-9/20/25 SW-320 WT-22/23	85213120-W
	Nozzle #10 iØ16,0mm L=30mm [13N13] WT-9/20/25 SW-320 WT-22/23	85213130-W
52	Gaslens Ø0,5mm [45V41] WT-9/20/24/25 SW-320 WT-22/23	85134541-W
	Gaslens Ø1,0mm [45V42] WT-9/20/24/25 SW-320 WT-22/23	85134542-W
	Gaslens Ø1,6mm [45V43] WT-9/20/24/25 SW-320 WT-22/23	85134543-W
	Gaslens Ø2,4mm [45V44] WT-9/20/24/25 SW-320 WT-22/23	85134544-W
	Gaslens Ø3,2mm [45V45] WT-9/20/24/25 SW-320 WT-22/23	85134545-W
53	Nozzle #4 iØ6,4mm L=25mm [53N58] WT-9/20/24/25 SW-320 WT-22/23	85253580-W
	Nozzle #5 iØ8,0mm L=25mm [53N59] WT-9/20/24/25 SW-320 WT-22/23	85253590-W
	Nozzle #6 iØ9,6mm L=25mm [53N60] WT-9/20/24/25 SW-320 WT-22/23	85253600-W
	Nozzle #7 iØ11,2mm L=25mm [53N61] WT-9/20/24/25 SW-320 WT-22/23	85253610-W
60	Insulator Gaslens Jumbo [54N63-20] WT-9/20/25 SW-320 WT-22/23	85504632-W
61	Collet Ø1,0mm L=40mm [13N21L] WT-9/20/25 SW-320 WT-22/23	85113214-W
	Collet Ø1,6mm L=40mm [13N22L] WT-9/20/25 SW-320 WT-22/23	85113224-W
	Collet Ø2,4mm L=40mm [13N23L] WT-9/20/25 SW-320 WT-22/23	85113234-W
	Collet Ø3,2mm L=40mm [13N24L] WT-9/20/25 SW-320 WT-22/23	85113244-W
62	Gaslens Ø0,5-1,0mm Jumbo [45V0204S] WT-9/20/25 SW-320 WT-22/23	85136504-W
	Gaslens Ø1,6mm Jumbo [45V116S] WT-9/20/25 SW-320 WT-22/23	85136516-W
	Gaslens Ø2,4mm Jumbo [45V64S] WT-9/20/25 SW-320 WT-22/23	85136564-W
	Gaslens Ø3,2mm Jumbo [995795S] WT-9/20/25 SW-320 WT-22/23	85136795-W
63	Nozzle #6 iØ9,6mm L=48mm [57N75] WT Jumbo	85257750-W
	Nozzle #8 iØ12,8mm L=48mm [57N74] WT Jumbo	85257740-W
	Nozzle #10 iØ16,0mm L=48mm [53N88] WT Jumbo	85253880-W
	Nozzle #12 iØ19,2mm L=48mm [53N87] WT Jumbo	85253870-W

Components

#	Item description	Part no
1a	Torch Body WT-9 air cooled	85601090
1b	Torch Body WT-9F air cooled	85601092
1c	Torch body WT-9V air cooled	8560109V
2a	VS-2 turning valve for 9/17er	85511002
2b	O-ring [98W77] WT-9/20/60/125	85509-98W77-W

Reproduction and distribution of this publication in any form- even in parts - without prior permission is forbidden.