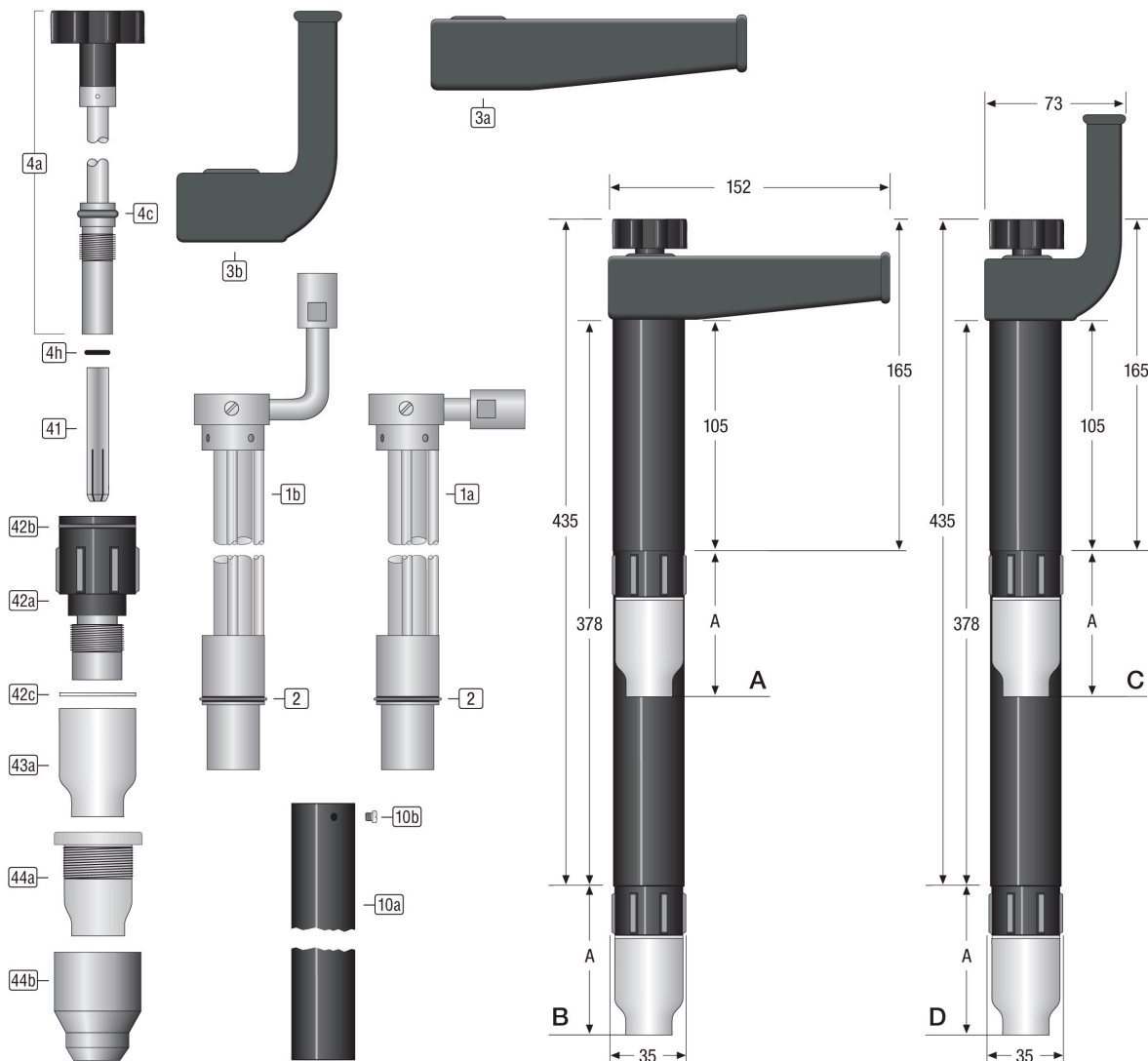




# Data Sheet

## WT27AA\_BA\_CA\_DA

**WeldTec**



00.DBL-8561127A-27DA

01/2022

## TIG Torch WT27AA\_BA\_CA\_DA

### Wearing parts

#	Item description	Part no
41	Collet Ø1,0mm L=67mm [57N45] WT-27	85117450-W
	Collet Ø1,6mm L=67mm [57N46] WT-27	85117460-W
	Collet Ø2,4mm L=67mm [57N47] WT-27	85117470-W
	Collet Ø3,2mm L=67mm [57N48] WT-27	85117480-W
	Collet Ø4,0mm L=67mm [57N49] WT-27	85117490-W
	Collet Ø4,8mm L=67mm [57N50] WT-27	85117500-W
	Collet Ø6,4mm L=67mm [57N51] WT-27	85117510-W
	Collet Ø8,0mm L=67mm [57N52] WT-27	85117520-W
42a	Gaslens Ø1,6mm Jumbo [49V23] WT-27	85134923-W
	Gaslens Ø2,4mm Jumbo [49V24] WT-27	85134924-W
	Gaslens Ø3,2mm Jumbo [49V25] WT-27	85134925-W
	Gaslens Ø4,0mm Jumbo [49V26] WT-27	85134926-W
	Gaslens Ø4,8mm Jumbo [49V27] WT-27	85134927-W
	Gaslens Ø6,4mm Jumbo [49V28] WT-27	85134928-W
	Gaslens Ø8,0mm Jumbo [49V29] WT-27	85134929-W
42b	O-Ring black [181W89] WT-27	8550927018S
42c	Insulator Gaslens [57N56] WT-27	85504560-W
43a	Nozzle #8 iØ12,8mm L=48mm [57N74] WT Jumbo	85257740-W
	Nozzle #6 iØ9,6mm L=48mm [57N75] WT Jumbo	85257750-W
	Nozzle #10 iØ16,0mm L=48mm [53N88] WT Jumbo	85253880-W
	Nozzle #12 iØ19,2mm L=48mm [53N87] WT Jumbo	85253870-W
44a	Insulator Ceramic [57N76] WT Jumbo	85257760-W
44b	Nozzle Copper #10 [57N78] iØ16,0mm L=47mm	85957780-W

### Components

#	Item description	Part no
1a	Torch Body WT27 Model A [WT-27AAB] air cooled	8561127AA
	Torch Body WT27 Model B [WT-27BAB] air cooled	8561127BA
1b	Torch Body WT27 Model C [WT-27CAB] air cooled	8561127CA
2	O-Ring [27-2-4] WT-27	85611Z27-2-4
3a	Insulating Boot [27-12] WT-27	85611Z27-12
3b	Insulating Boot Model C [27-12C] WT-27	85611Z27-12C
4a	Electrode Holder Model A [27-13A] WT-27	85611Z27-13A
	Electrode Holder Model B [27-13B] WT-27	85611Z27-13B
4c	O-Ring [27-13-2] WT-27	85611Z27-13-2
4h	O-Ring [27-13-3] WT-27	85611Z27-13-3
10a	Insulation Barrel Model A [27-10A] WT-27	85611Z27-10A
	Insulation Barrel Model B [27-10B] WT-27	85611Z27-10B
	Insulation Barrel Model B with Rack 32Pitch WT-27	85611Z27-10Z
10b	Screw Kit [27-10] WT-22/23 WT-28/29 WT-27	85611Z27-10