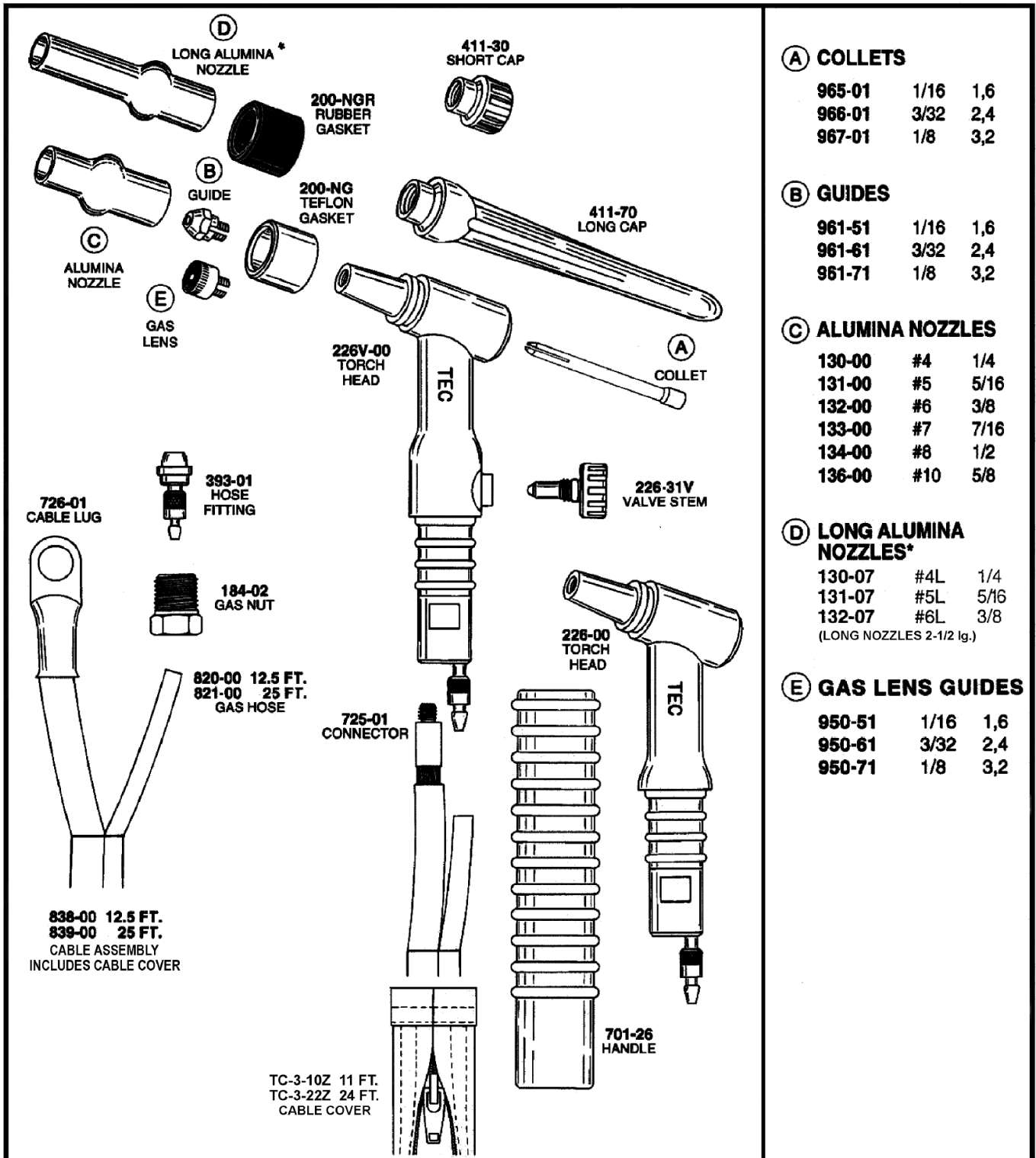



**MODELS 226, 226V**

**(A) COLLETS**

965-01	1/16	1,6
966-01	3/32	2,4
967-01	1/8	3,2

**(B) GUIDES**

961-51	1/16	1,6
961-61	3/32	2,4
961-71	1/8	3,2

**(C) ALUMINA NOZZLES**

130-00	#4	1/4
131-00	#5	5/16
132-00	#6	3/8
133-00	#7	7/16
134-00	#8	1/2
136-00	#10	5/8

**(D) LONG ALUMINA NOZZLES\***

130-07	#4L	1/4
131-07	#5L	5/16
132-07	#6L	3/8

(LONG NOZZLES 2-1/2 lg.)

**(E) GAS LENS GUIDES**

950-51	1/16	1,6
950-61	3/32	2,4
950-71	1/8	3,2

**TEC WELDING PRODUCTS, INC.**

P.O. Box 1870 San Marcos, CA 92079

(760) 747-3700

\*Requires 200-NGR Gasket