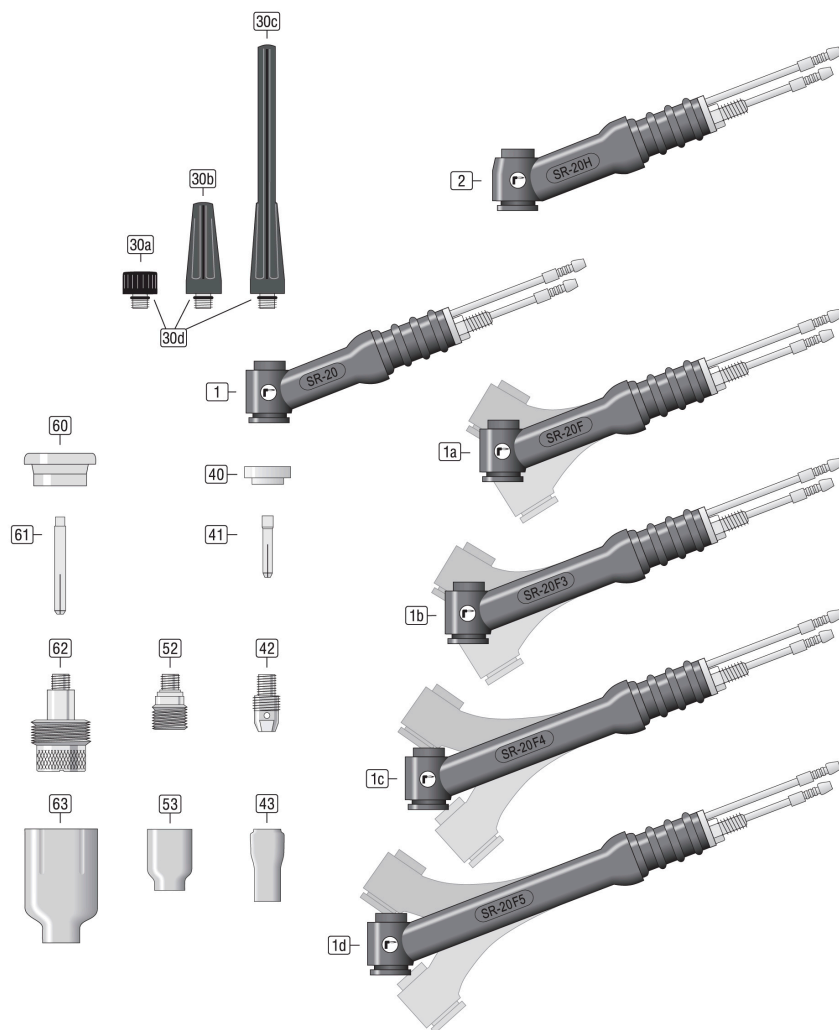




Data Sheet

SR20 SR20F SR20H



00.DBL-85600200-0202

02-2022

TIG Torch SR20/ SR20F/ SR20H**Wearing parts**

#	Item description	Part no
30a	Back Cap short [41V33] SR-9/20	85741330
30b	Back Cap medium [41V35] SR-9/20	85741350
30c	Back Cap long [41V24] SR-9/20	85741240
30d	O-Ring red [98W77] for torch cap 41V24/33/35	8550904520R
40	Insulator Standard [598882] SR-9/20/25	85504820
41	Collet Ø0,5mm L=25mm [13N20] SR-9/20/25 RP-160L/320W	85113200
	Collet Ø1,0mm L=25mm [13N21] SR-9/20/25 RP-160L/320W	85113210
	Collet Ø1,6mm L=25mm [13N22] SR-9/20/25 RP-160L/320W	85113220
	Collet Ø2,4mm L=25mm [13N23] SR-9/20/25 RP-160L/320W	85113230
	Collet Ø3,2mm L=25mm [13N24] SR-9/20/25 RP-160L/320W	85113240
42	Collet Body Ø0,5mm [13N25] SR-9/20/25 RP-160L/320W	85123250
	Collet Body Ø1,0mm [13N26] SR-9/20/25 RP-160L/320W	85123260
	Collet Body Ø1,6mm [13N27] SR-9/20/25 RP-160L/320W	85123270
	Collet Body Ø2,4mm [13N28] SR-9/20/25 RP-160L/320W	85123280
	Collet Body Ø3,2mm [13N29] SR-9/20/25 RP-160L/320W	85123290
43	Nozzle #4 iØ6,4mm L=30mm [13N08] ceramic, rose	85213080
	Nozzle #5 iØ8,0mm L=30mm [13N09] ceramic, rose	85213090
	Nozzle #6 iØ9,6mm L=30mm [13N10] ceramic, rose	85213100
	Nozzle #7 iØ11,2mm L=30mm [13N11] ceramic, rose	85213110
	Nozzle #8 iØ12,8mm L=30mm [13N12] ceramic, rose	85213120
	Nozzle #10 iØ16,0mm L=30mm [13N13] ceramic, rose	85213130
52	Gaslens Ø0,5mm [45V41] SR-9/20/24/25 RP-160L/320W	85134541
	Gaslens Ø1,0mm [45V42] SR-9/20/24/25 RP-160L/320W	85134542
	Gaslens Ø1,6mm [45V43] SR-9/20/24/25 RP-160L/320W	85134543
	Gaslens Ø2,4mm [45V44] SR-9/20/24/25 RP-160L/320W	85134544
	Gaslens Ø3,2mm [45V45] SR-9/20/24/25 RP-160L/320W	85134545
53	Nozzle #4 iØ6,4mm L=25mm [53N58] ceramic, rose	85253580
	Nozzle #5 iØ8,0mm L=25mm [53N59] ceramic, rose	85253590
	Nozzle #6 iØ9,6mm L=25mm [53N60] ceramic, rose	85253600
	Nozzle #7 iØ11,2mm L=25mm [53N61] ceramic, rose	85253610
	Nozzle #8 iØ12,8mm L=25mm [53N61S] ceramic, rose	85253612
60	Insulator Gaslens Jumbo [54N63-20] SR-9/20/25	85504632
61	Collet Ø1,0mm L=40mm [13N21L] SR-9/20/25 RP-160L/320W	85113214
	Collet Ø1,6mm L=40mm [13N22L] SR-9/20/25 RP-160L/320W	85113224
	Collet Ø2,4mm L=40mm [13N23L] SR-9/20/25 RP-160L/320W	85113234
	Collet Ø3,2mm L=40mm [13N24L] SR-9/20/25 RP-160L/320W	85113244
62	Gaslens Ø1,0mm Jumbo [45V0204S] SR-9/20/25	85136504
	Gaslens Ø1,6mm Jumbo [45V116S] SR-9/20/25	85136516
	Gaslens Ø2,4mm Jumbo [45V64S] SR-9/20/25	85136564
	Gaslens Ø3,2mm Jumbo [995795S] SR-9/20/25	85136795
63	Nozzle #6 iØ9,6mm L=48mm [57N75] ceramic, rose	85257750
	Nozzle #8 iØ12,8mm L=48mm [57N74] ceramic, rose	85257740
	Nozzle #10 iØ16,0mm L=48mm [53N88] ceramic, rose	85253880
	Nozzle #12 iØ19,2mm L=48mm [53N87] ceramic, rose	85253870

Components

#	Item description	Part no
1	Torch Body SR-20 water cooled	85600200
1a	Torch Body SR-20F water cooled	85600202
1b	Torch Body SR-20F3" water cooled	85600203
1c	Torch Body SR-20F4" water cooled	85600204
1d	Torch Body SR-20F5" water cooled	85600205
2	Torch Body SR-20H water cooled	8560020H

Reproduction and distribution of this publication in any form- even in parts - without prior permission is forbidden.