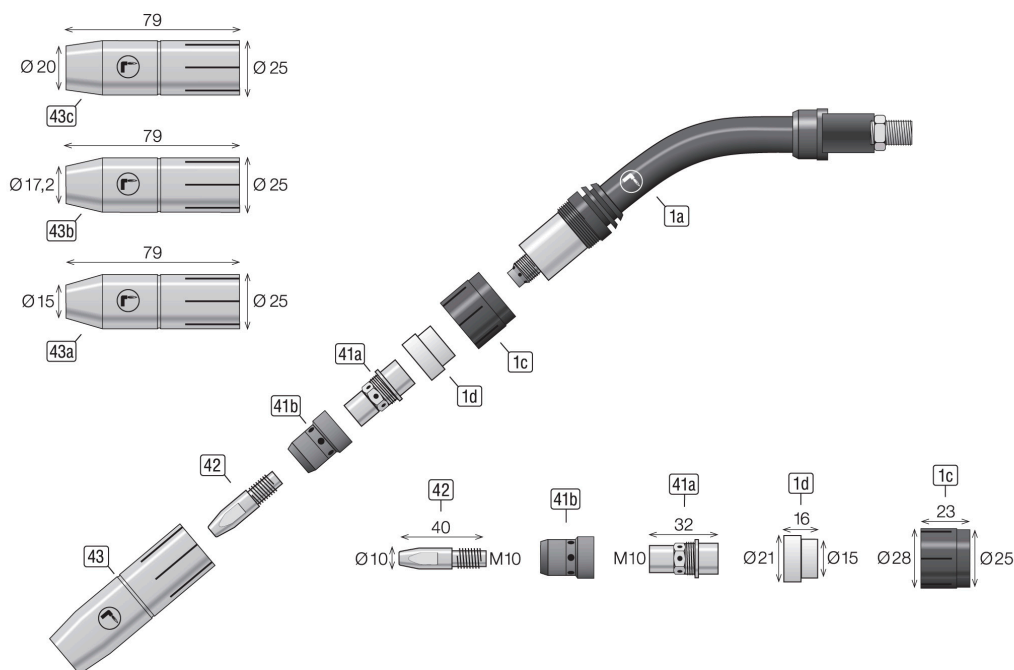




# Data Sheet

## Torch RM400L



00.DBL-M.F001.RM400L

06-2022

### Components

#	Item description	Part no
1a	Torch Body RM400L air cooled	M.F001.RM400L

### Wearing parts

#	Item description	Part no
1c	Fixing Sleeve iØ25mm aØ28mm L=23mm RM400L/500W	M.F002.0221
1d	Insulator iØ15mm aØ21mm L=16mm RM400L	M.F002.0121
41a	Tip Holder M10 SW13 L=32mm RM400L/500W	M.F002.0321
41b	Spatter Protection iØ10,1mm aØ20,8mm L=28,5mm RM400L/500W R5T	M.F002.0401
42	Contact Tip CuCrZr M10 L=40mm Ø0,8mm RM400L/500W	M.F004.0301
	Contact Tip CuCrZr M10 L=40mm Ø0,9mm RM400L/500W	M.F004.0302
	Contact Tip CuCrZr M10 L=40mm Ø1,0mm RM400L/500W	M.F004.0303
	Contact Tip CuCrZr M10 L=40mm Ø1,2mm RM400L/500W	M.F004.0304
	Contact Tip CuCrZr M10 L=40mm Ø1,4mm RM400L/500W	M.F004.0305
	Contact Tip CuCrZr M10 L=40mm Ø1,6mm RM400L/500W	M.F004.0306
	Contact Tip CuCrZr M10 L=40mm Ø0,9mm ZB4,1 RM400L/500W - Alu-Wire	M.F004.0321
	Contact Tip CuCrZr M10 L=40mm Ø1,0mm ZB4,1 RM400L/500W - Alu-Wire	M.F004.0322
	Contact Tip CuCrZr M10 L=40mm Ø1,2mm ZB4,1 RM400L/500W - Alu-Wire	M.F004.0324
	Contact Tip CuCrZr M10 L=40mm Ø1,4mm ZB4,1 RM400L/500W - Alu-Wire	M.F004.0326
	Contact Tip CuCrZr M10 L=40mm Ø1,6mm ZB4,8 RM400L/500W - Alu-Wire	M.F004.0327
43a	Nozzle iØ15,0 L=79,0mm strong conical RM400L/500W	M.F003.0124
43b	Nozzle iØ17,2 L=79,0mm conical RM400L/500W	M.F003.0122
43c	Nozzle iØ20,0 L=79,0mm cylindrical RM400L/500W	M.F003.0121