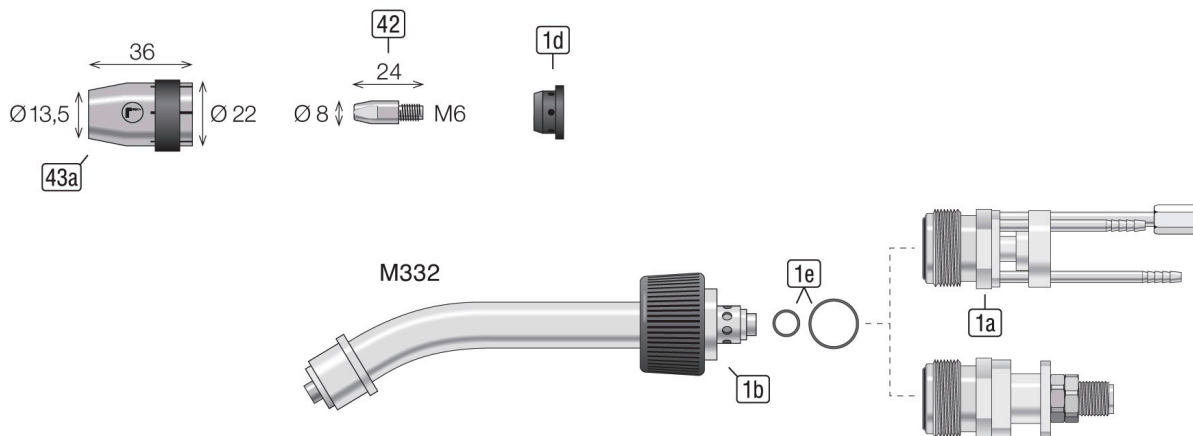




Data Sheet

MultiMig RM332W



00.DBL-M.F001.M5

06-2022

Components

#	Item description	Part no
1a	Torch body MultiLock air cool	M.F001.ML00-F
	Torch body Insert MultiMig water cooled	M.F001.MW00
1e	O-Ring torch body MultiMig 8x2	M.F001.MW00-01
	O-Ring torch body MultiMig 16x2	M.F001.MW00-02
1b	Torch Neck MM332W MultiMig 30° L=159,5mm H=46,5mm	M.F001.M501

Wearing parts

#	Item description	Part no
1d	Spatter Protection iØ2,6mm aØ18,7 L=9mm RM332W	M.F002.0431
42	Contact Tip CuCrZr M6 L=24mm Ø0,8mm RM332W	M.F004.0121
	Contact Tip CuCrZr M6 L=24mm Ø1,0mm RM332W	M.F004.0122
	Contact Tip CuCrZr M6 L=24mm Ø1,2mm RM332W	M.F004.0123
	Contact Tip CuCrZr M6 L=24mm Ø1,6mm RM332W	M.F004.0124
43a	Nozzle iØ13,5 L=36mm conical RM332W	M.F003.0131