

CATALOGUE 2.1

MEP
MIG/MAG-Torch-Series

2.1.1

M 150 EP



2.1.2

M 240 EP



2.1.3

M 250 EP



2.1.4

M 260 EP



2.1.5

M 350 EP



2.1.6

M 360 EP



2.1.7

M 360 AUT



2.1.8

M 241 EP



2.1.9

M 351 EP



2.1.10

M 401 EP



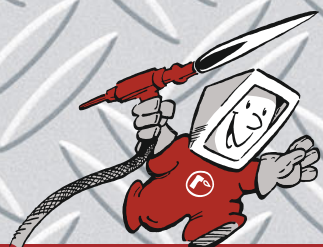
2.1.11

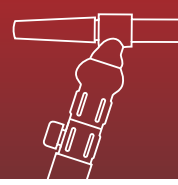
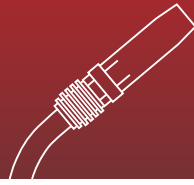
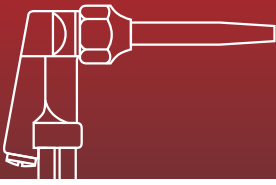
M 501 EP



2.1.12

M 501 AUT





Rohrman Schweißtechnik

Torches and more ...

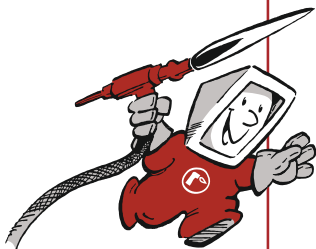
Partner for welding distributors

Rohrman Schweißtechnik – a family company with more than 40 years of experience in welding technology. We offer a variety of products for welding such as:

- TIG torches in different styles
- TIG spare parts and accessories
- TIG extension packages
- MIG-/MAG torches in different styles
- MIG-/MAG spare parts and accessories
- MIG-/MAG extension- and interconnection cable packages
- Electrodes-, earth clamps- and cables
- Welding helmets
- Flame cutting torches, hoses and accessories
- Carbon arc gouging torches and accessories

In addition to standard torches we are specialized in **Tungsten Inert Gas** Welding. The wide range of products enables us to provide optimal solutions for different welding applications.

Please ask your welding distributor or feel free to contact us.

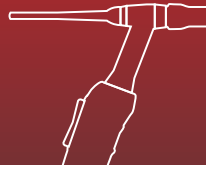


Rohrman Schweißtechnik

Tel.: +49(0)2162/106065-0

Fax: +49(0)2162/106065-55

www.rohrman.de · info@rohrman.de



MIG-/MAG-Torch-Series MEP

The MIG/MAG-Torch-Series **Mig-Euro-Power** is available in the air cooled version up to 350 amps and in the water cooled version up to 500 amps. The name MEP-Series stands for **MIG**, the welding process, **Euro** for the central connector and for the compatibility with the most common spare parts in Europe, **Power** for the superior performance.

The **MIG/MAG** torch packages are used for **Metal-Inert-Gas** and for **Metal-Active-Gas-Welding** for different metals.

The MIG/MAG welding process is the most common industrial welding process, preferred for its versatility, speed and high **productivity**.



Connection GZ-2 F (air cooled)

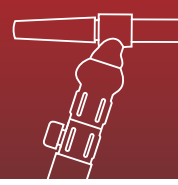
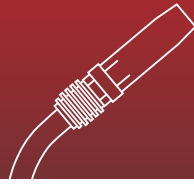
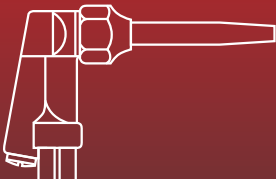
The **Euro-central connector GZ-2F (air cooled)** and **WZ-2F (water cooled)** are adaptable to most common MIG/MAG power sources in Europe. The central connector leads the wire safely through the torch package into the swan neck.

The circuit is ensured via integrated **spring contacts**. The long connection nut gives better grip and makes the connection to the machine easier.

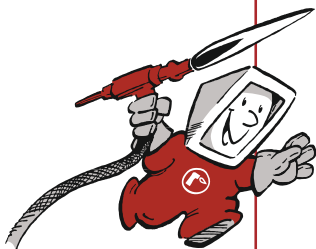
The **bend protection spring** assures a stable support of the torch package for better wire feed.



Connection WZ-2 F (water cooled)



MIG/MAG Spare Parts



Copyright

All texts, images, graphics and other information published in the catalogue are subject to the copyright of Rohrman Schweißtechnik GmbH unless marked otherwise. Any reprinting, even in extracts, are only permitted with the prior written permission of Rohrman Schweißtechnik GmbH.

All technical specifications without guarantee.



2.1.1

MIG/MAG Torch M 150 EP



MIG/MAG Torch M 150 EP

Capacity at 60 %

duty cycle (10 min. cycle):

- with mixed gas M21 150 amps
- with CO₂ 180 amps

At pulsed arc the duty cycles decrease up to 35%!

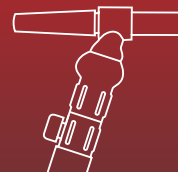
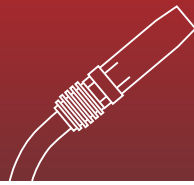
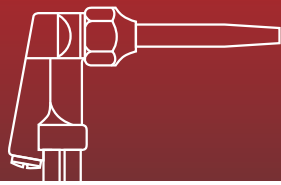
Type of cooling: Air cooling

Wire diameter: 0.6–1.0 mm

Gas flow: 8 l/min

Standard: Conform to EN 60974-7 CE

Connection: GZ-2F euro central plug,
other connections on request



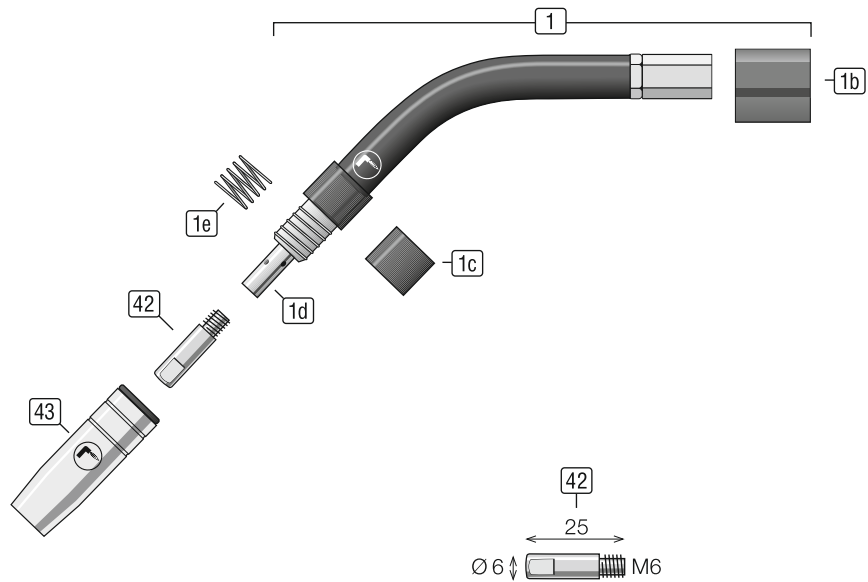
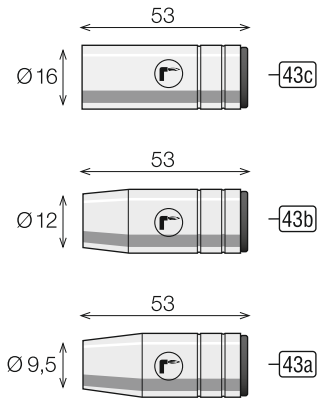
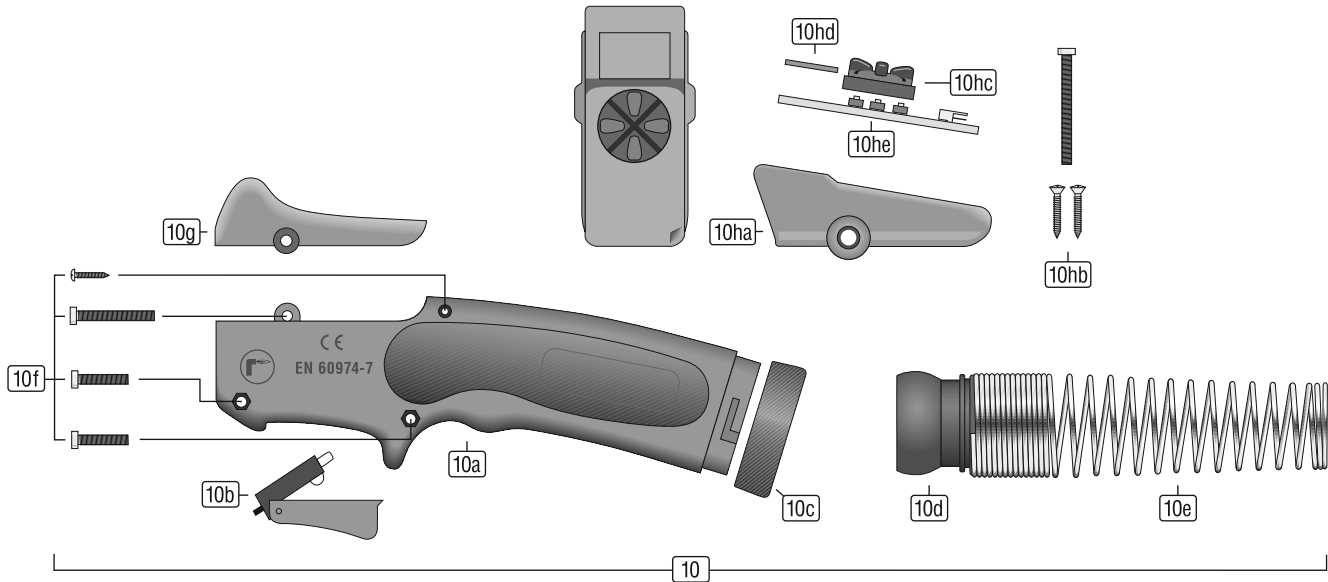
MIG 150 EP

180 A CO₂ – 150 A Mix – 60 % ED

Handle RMC MIG

RMC MIG – standard

RMC MIG – Up/Down





MIG-/MAG Torches M 150 EP MIG-Euro-Power Complete –

Inclusive Spare-Part Kit for Wire Ø 0.8 mm

Position	Article Description	Order Number
	M150 3 m RMC Standard black	M150030.00.R01.100.SW
	M150 4 m RMC Standard black	M150040.00.R01.100.SW
	M150 5 m RMC Standard black	M150050.00.R01.100.SW

Replacement Parts Handle

Position	Article Description	Order Number
10	Handle-SET RMC Standard MEP (air cooled)	M.0005.0120-SW
	Handle-SET RMC UpDown MEP	M.0005.0122-SW
10a	Handle Pair RMC (le+ri) MEP	M.0005.1120-SW
10b	Switch	M.T005.0106
10c	Lock Ring RMC	M.0005.1190
10d	Ball Joint	M.T005.0105
10e	Bend Protection Spring Small (Standard)	M.T005.0111
	Bend Protection Spring Big (UpDown)	M.T005.0110
10f	Screw Set RMC	M.0005.1903
10g	Top Frame RMC Standard	M.0005.1191-SW
10ha	Top Frame RMC Remote (le+ri) (UpDown)	M.0005.5101-SW
10hb	Screw Set RMC Remote	M.0005.1904
10hc	Switch Rubber RMC (UpDown)	M.0005.4101
10hd	Cover Window RMC (UpDown)	M.0005.5191-SW
10he	Circuit Board UpDown	M.0005.1217

Replacement Parts Swan Neck

Position	Article Description	Order Number
1	Swan Neck M 150	MBH150
1b	Adapter for Swan Neck	MBH-ZK
1c	Head Insulator	MI150
1d	Gas Nozzle Holder	MDSM8L-M6X42
1e	Nozzle Spring	MHF150

Spare Parts

Position	Article Description	Order Number
42	Contact Tip E-Cu M6 L=25 mm Ø 0.6 mm	MSDECUM6X25-06
	Contact Tip E-Cu M6 L=25 mm Ø 0.8 mm	MSDECUM6X25-08
	Contact Tip E-Cu M6 L=25 mm Ø 1.0 mm	MSDECUM6X25-10
	Contact Tip E-Cu M6 L=25 mm Ø 0.8 mm for Aluminium Wire	MSDECUM6X25-08A
	Contact Tip E-Cu M6 L=25 mm Ø 1.0 mm for Aluminium Wire	MSDECUM6X25-10A
	Contact Tip E-Cu M6 L=25 mm Ø 0.8 mm Nickel-Plated	MSDECNM6X25-08
	Contact Tip E-Cu M6 L=25 mm Ø 1.0 mm Nickel-Plated	MSDECNM6X25-10
	Contact Tip CuCrZr M6 L=25 mm Ø 0.8 mm	MSDCCZM6X25-08
	Contact Tip CuCrZr M6 L=25 mm Ø 1.0 mm	MSDCCZM6X25-10
43a	Gas Nozzle Conical NW9,5 L=53 mm	MGDK150-095
43b	Gas Nozzle Conical NW12 L=53 mm	MGDK150-120
43c	Gas Nozzle Cylindrical NW16 L=53 mm	MGDZ150-160
	Spot Weld Gas Nozzle NW16 L=60 mm	MGDP150-160

For information about torch packages, central connections and liners go to rubric 2.1.L



2.1.2

MIG/MAG Torch M 240 EP



MIG/MAG Torch M 240 EP

Capacity at 35 %

duty cycle (10 min. cycle):


- with mixed gas M21 220 amps
- with CO₂ 250 amps

At pulsed arc the duty cycles decrease up to 35%!

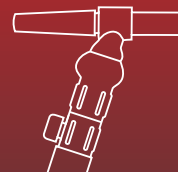
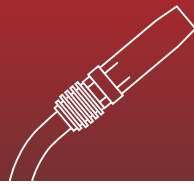
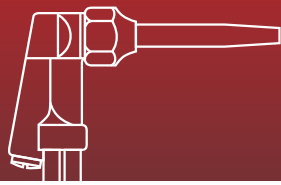
Type of cooling: Air cooling

Wire diameter: 0.8–1.2 mm

Gas flow: 12 l/min

Standard: Conform to EN 60974-7 

Connection: GZ-2F euro central plug,
other connections on request



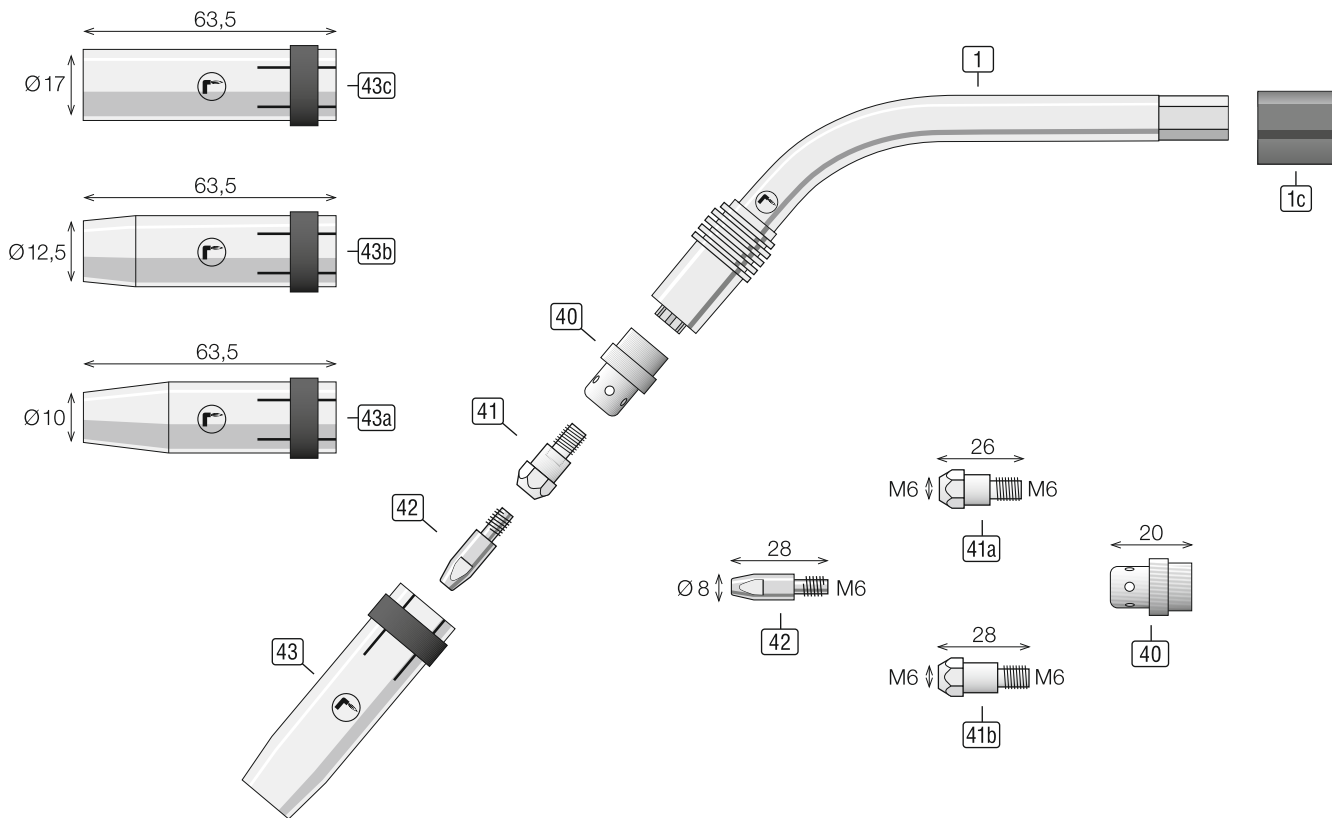
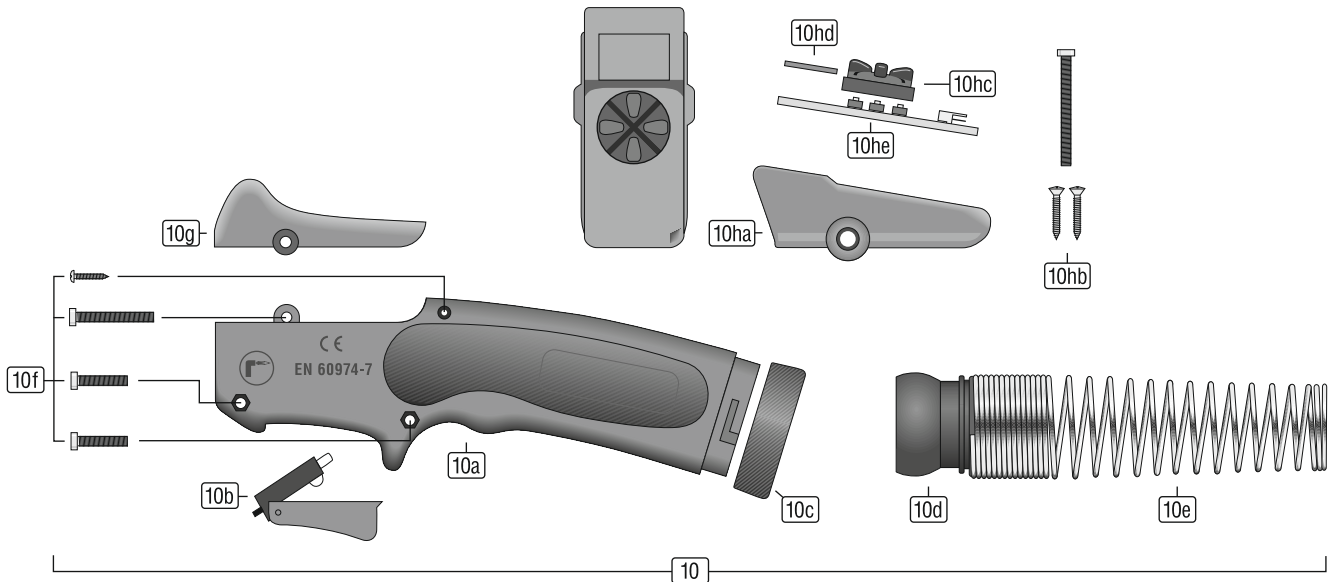
MIG 240 EP

250 A CO₂ – 220 A Mix – 35% ED

Handle RMC MIG

RMC MIG – standard

RMC MIG – Up/Down





MIG-/MAG-Torches M 240 EP MIG-Euro-Power Complete – inclusive Spare-Part for Wire Ø 1.0 mm

Position	Article Description	Order Number
	M240 3 m RMC Standard black	M240030.00.R01.100.SW
	M240 4 m RMC Standard black	M240040.00.R01.100.SW
	M240 5 m RMC Standard black	M240050.00.R01.100.SW

Replacement Parts Handle

Position	Article Description	Order Number
10	Handle-SET RMC Standard MEP (air cooled)	M.0005.0120-SW
	Handle-SET RMC UpDown MEP	M.0005.0122-SW
10a	Handle Pair RMC (le+ri) MEP	M.0005.1120-SW
10b	Switch	M.T005.0106
10c	Lock Ring RMC	M.0005.1190
10d	Ball Joint	M.T005.0105
10e	Bend Protection Spring Small (Standard)	M.T005.0111
	Bend Protection Spring Big (UpDown)	M.T005.0110
10f	Screw Set RMC	M.0005.1903
10g	Top Frame RMC Standard	M.0005.1191-SW
10ha	Top Frame RMC Remote (le+ri) (UpDown)	M.0005.5101-SW
10hb	Screw Set RMC Remote	M.0005.1904
10hc	Switch Rubber RMC (UpDown)	M.0005.4101
10hd	Cover Window RMC (UpDown)	M.0005.5191-SW
10he	Circuit Board UpDown	M.0005.1217

Replacement Parts Swan Neck

Position	Article Description	Order Number
1	Swan Neck M 240	MBH240
1b	Adapter for Swan Neck	MBH-ZK

Spare Parts

Position	Article Description	Order Number
40	Gas diffuser White	MGV240W
	Gas diffuser ceramic	MGV240K
41a	Tip holder M6xM6 L=26 mm	MDSM6-M6x26
41b	Tip holder M6xM6 L=28 mm	MDSM6-M6x28
42	Contact Tip E-Cu M6 L=28 mm Ø 0.8 mm	MSDECUM6X28-08
	Contact Tip E-Cu M6 L=28 mm Ø 1.0 mm	MSDECUM6X28-10
	Contact Tip E-Cu M6 L=28 mm Ø 1.2 mm	MSDECUM6X28-12
	Contact Tip E-Cu M6 L=28 mm Ø 0.8 mm for Aluminium Wire	MSDECUM6X28-08A
	Contact Tip E-Cu M6 L=28 mm Ø 1.0 mm for Aluminium Wire	MSDECUM6X28-10A
	Contact Tip E-Cu M6 L=28 mm Ø 1.2 mm for Aluminium Wire	MSDECUM6X28-12A
	Contact Tip E-Cu M6 L=28 mm Ø 0.8 mm Nickel-Plated	MSDECNM6X28-08
	Contact Tip E-Cu M6 L=28 mm Ø 1.0 mm Nickel-Plated	MSDECNM6X28-10
	Contact Tip E-Cu M6 L=28 mm Ø 1.2 mm Nickel-Plated	MSDECNM6X28-12
	Contact Tip CuCrZr M6 L=28 mm Ø 0.8 mm	MSDCCZM6X28-08
	Contact Tip CuCrZr M6 L=28 mm Ø 0.9 mm	MSDCCZM6X28-09
	Contact Tip CuCrZr M6 L=28 mm Ø 1.0 mm	MSDCCZM6X28-10
	Contact Tip CuCrZr M6 L=28 mm Ø 1.2 mm	MSDCCZM6X28-12
43a	Gas Nozzle Conical NW10 L=63.5 mm	MGDK240-100
43b	Gas Nozzle Conical NW12.5 L=63.5 mm	MGDK240-125
43c	Gas Nozzle Cylindrical NW17 L=63.5 mm	MGDZ240-170
	Spot Weld Gas Nozzle NW17 L=68 mm	MGDP240-170

For information about torch packages, central connections and liners go to rubric 2.1.1.L



2.1.3

MIG/MAG Torch M 250 EP



MIG/MAG Torch M 250 EP

Capacity at 60 %**duty cycle (10 min. cycle):**

- with mixed gas M21 200 amps
- with CO₂ 230 amps

At pulsed arc the duty cycles decrease up to 35%!

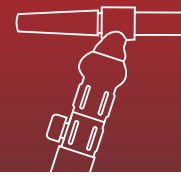
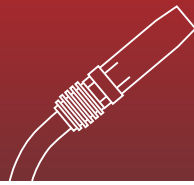
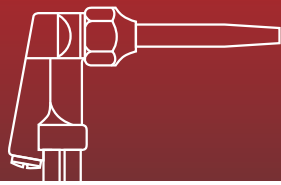
Type of cooling: Air cooling

Wire diameter: 0.8–1.2 mm

Gas flow: 10 l/min

Standard: Conform to EN 60974-7 CE

Connection: GZ-2F euro central plug
other connections on request



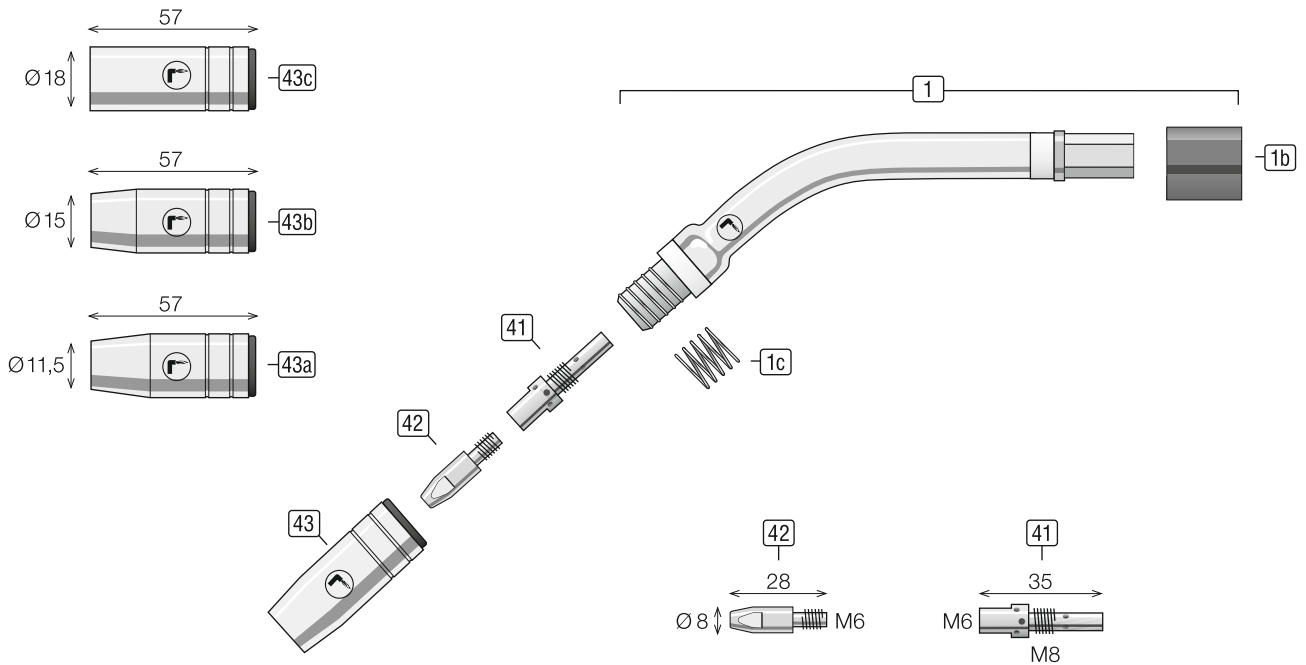
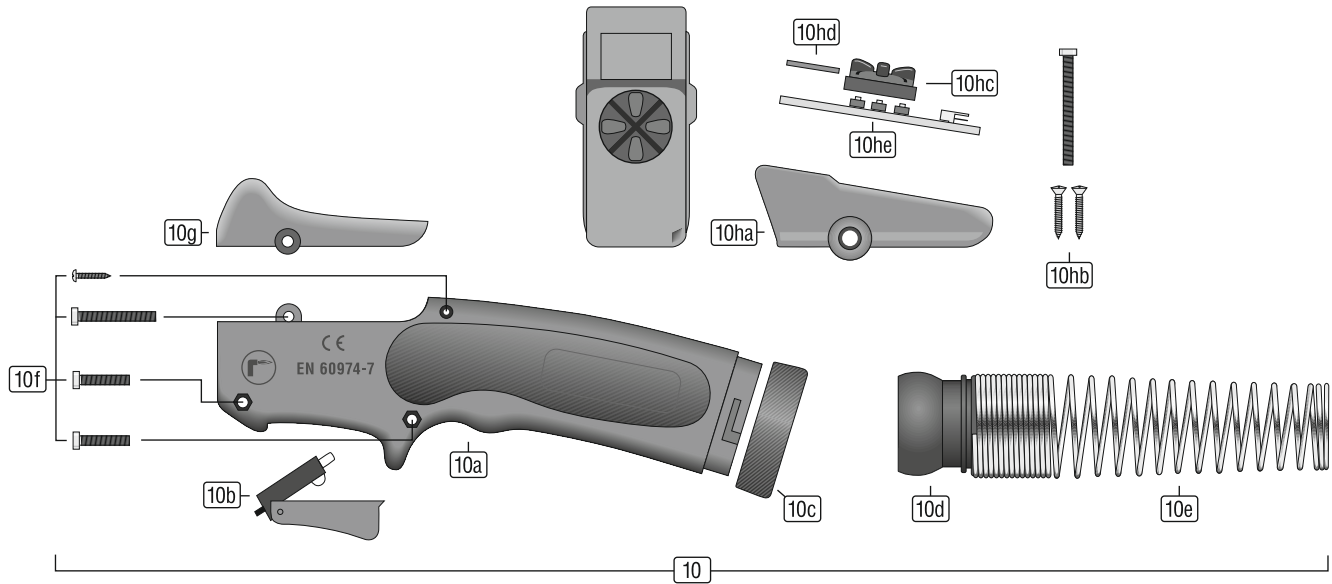
MIG 250 EP

230 A CO₂ – 200 A Mix – 60 % ED

Handle RMC MIG

RMC MIG – standard

RMC MIG – Up/Down





MIG-/MAG-Torches M 250 EP MIG-Euro-Power Complete – inclusive Spare-Part for Wire Ø 1.0 mm

Position	Article Description	Order Number
	M250 3 m RMC Standard black	M250030.00.R01.100.SW
	M250 4 m RMC Standard black	M250040.00.R01.100.SW
	M250 5 m RMC Standard black	M250050.00.R01.100.SW

Replacement Parts Handle

Position	Article Description	Order Number
10	Handle-SET RMC Standard MEP (air cooled)	M.0005.0120-SW
	Handle-SET RMC UpDown MEP	M.0005.0122-SW
10a	Handle Pair RMC (le+ri) MEP	M.0005.1120-SW
10b	Switch	M.T005.0106
10c	Lock Ring RMC	M.0005.1190
10d	Ball Joint	M.T005.0105
10e	Bend Protection Spring Small (Standard)	M.T005.0111
	Bend Protection Spring Big (UpDown)	M.T005.0110
10f	Screw Set RMC	M.0005.1903
10g	Top Frame RMC Standard	M.0005.1191-SW
10ha	Top Frame RMC Remote (le+ri) (UpDown)	M.0005.5101-SW
10hb	Screw Set RMC Remote	M.0005.1904
10hc	Switch Rubber RMC (UpDown)	M.0005.4101
10hd	Cover Window RMC (UpDown)	M.0005.5191-SW
10he	Circuit Board UpDown	M.0005.1217

Replacement Parts Swan Neck

Position	Article Description	Order Number
1	Swan Neck M 250	MBH250
1b	Adapter for Swan Neck	MBH-ZK
1c	Nozzle Spring	MHF250

Spare Parts

Position	Article Description	Order Number
41	Tip holder M8-M6 L=35 mm	MDSM8-M6X35
42	Contact Tip E-Cu M6 L=28 mm Ø 0.8 mm	MSDECUM6X28-08
	Contact Tip E-Cu M6 L=28 mm Ø 1.0 mm	MSDECUM6X28-10
	Contact Tip E-Cu M6 L=28 mm Ø 1.2 mm	MSDECUM6X28-12
	Contact Tip E-Cu M6 L=28 mm Ø 0.8 mm for Aluminium Wire	MSDECUM6X28-08A
	Contact Tip E-Cu M6 L=28 mm Ø 1.0 mm for Aluminium Wire	MSDECUM6X28-10A
	Contact Tip E-Cu M6 L=28 mm Ø 1.2 mm for Aluminium Wire	MSDECUM6X28-12A
	Contact Tip E-Cu M6 L=28 mm Ø 0.8 mm Nickel-Plated	MSDECNM6X28-08
	Contact Tip E-Cu M6 L=28 mm Ø 1.0 mm Nickel-Plated	MSDECNM6X28-10
	Contact Tip E-Cu M6 L=28 mm Ø 1.2 mm Nickel-Plated	MSDECNM6X28-12
	Contact Tip CuCrZr M6 L=28 mm Ø 0.8 mm	MSDCCZM6X28-08
	Contact Tip CuCrZr M6 L=28 mm Ø 0.9 mm	MSDCCZM6X28-09
	Contact Tip CuCrZr M6 L=28 mm Ø 1.0 mm	MSDCCZM6X28-10
	Contact Tip CuCrZr M6 L=28 mm Ø 1.2 mm	MSDCCZM6X28-12
43a	Gas Nozzle Conical NW11.5 L=57 mm	MGDK250-115
43b	Gas Nozzle Conical NW15 L=57 mm	MGDK250-150
43c	Gas Nozzle Cylindrical NW18 L=57 mm	MGDZ250-180
	Spot Weld Gas Nozzle NW18 L=67 mm	MGDP250-180

For information about torch packages, central connections and liners go to rubric 2.1.1.L



ROHRMAN
SCHWEISSTECHNIK

2.1.4

MIG/MAG Torch M 260 EP



MIG/MAG Torch M 260 EP

Capacity at 35 %

duty cycle (10 min. cycle):

- with mixed gas M21 200 amps
- with CO₂ 230 amps

At pulsed arc the duty cycles decrease up to 35%!

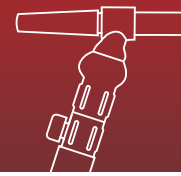
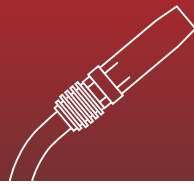
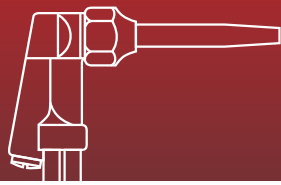
Type of cooling: Air cooling

Wire diameter: 1.0-1.2 mm

Gas flow: 12 l/min

Standard: Conform to EN 60974-7 CE

Connection: GZ-2F euro central plug
other connections on request



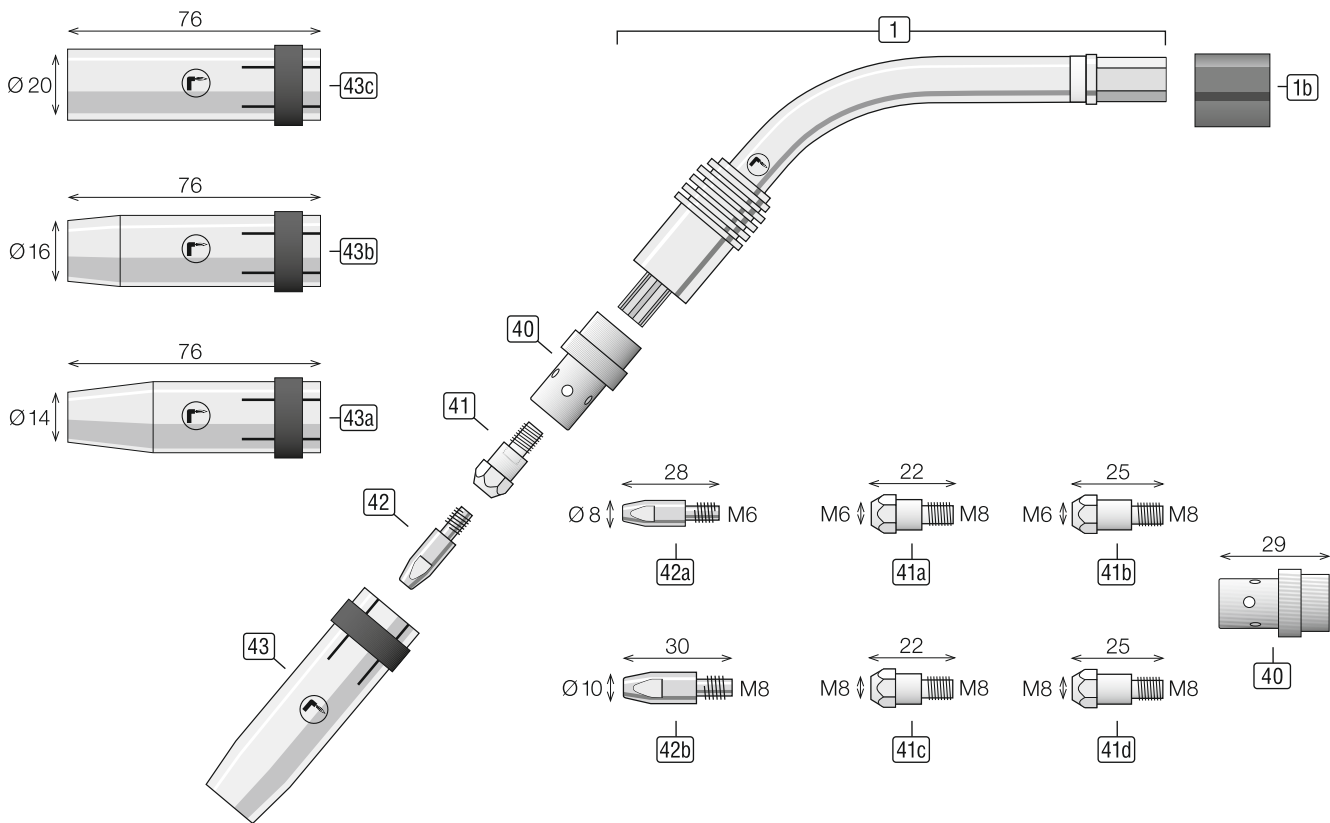
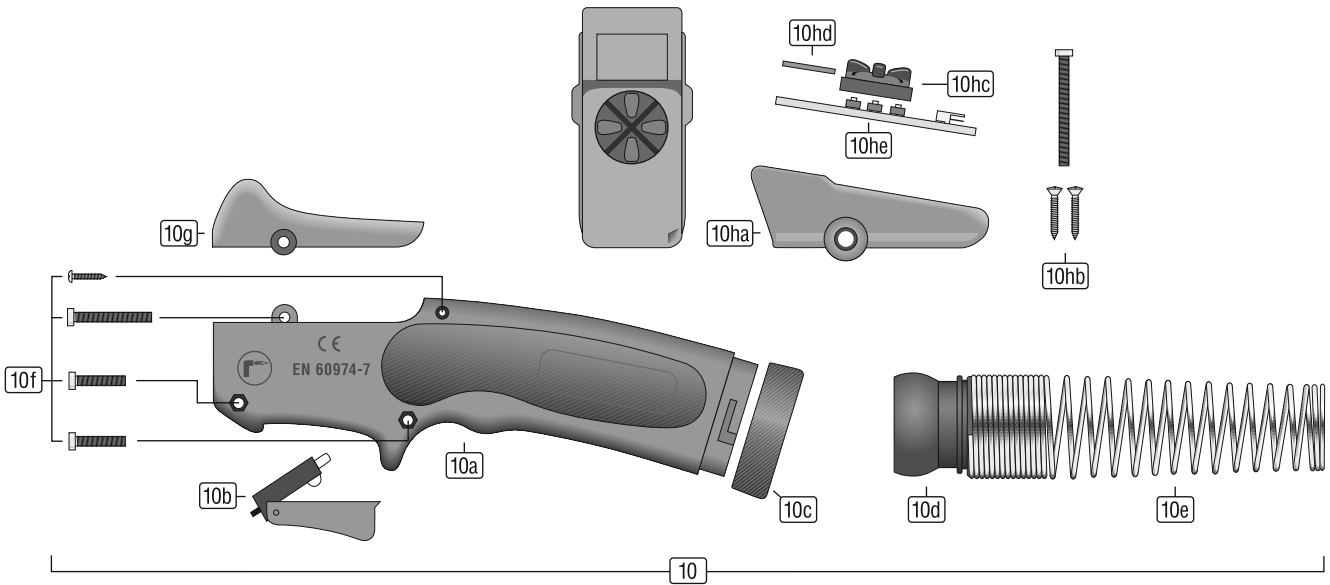
MIG 260 EP

230 A CO₂ – 200 A Mix – 35 % ED

Handle RMC MIG

RMC MIG – standard

RMC MIG – Up/Down



**MIG-/MAG-Torches M 260 EP MIG-Euro-Power Complete –
inclusive Spare-Part for Wire Ø 1.0 mm**

Position	Article Description	Order Number
	M260 3 m RMC Standard black	M260030.00.R01.100.SW
	M260 4 m RMC Standard black	M260040.00.R01.100.SW
	M260 5 m RMC Standard black	M260050.00.R01.100.SW

Replacement Parts Handle

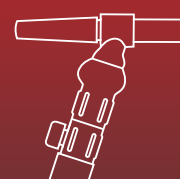
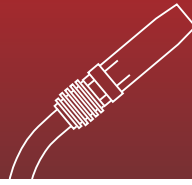
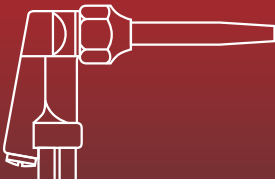
Position	Article Description	Order Number
10	Handle-SET RMC Standard MEP (air cooled)	M.0005.0120-SW
	Handle-SET RMC UpDown MEP	M.0005.0122-SW
10a	Handle Pair RMC (le+ri) MEP	M.0005.1120-SW
10b	Switch	M.T005.0106
10c	Lock Ring RMC	M.0005.1190
10d	Ball Joint	M.T005.0105
10e	Bend Protection Spring Small (Standard)	M.T005.0111
	Bend Protection Spring Big (UpDown)	M.T005.0110
10f	Screw Set RMC	M.0005.1903
10g	Top Frame RMC Standard	M.0005.1191-SW
10ha	Top Frame RMC Remote (le+ri) (UpDown)	M.0005.5101-SW
10hb	Screw Set RMC Remote	M.0005.1904
10hc	Switch Rubber RMC (UpDown)	M.0005.4101
10hd	Cover Window RMC (UpDown)	M.0005.5191-SW
10he	Circuit Board UpDown	M.0005.1217

Replacement Parts Swan Neck

Position	Article Description	Order Number
1	Swan Neck M 260	MBH260
1b	Adapter for Swan Neck	MBH-ZK

Spare Parts

Position	Article Description	Order Number
40	Gas diffuser White	MGV260W
	Gas diffuser ceramic	MGV260K
41a	Tip holder M8xM6 L=22 mm	MDSM8-M6X22
41b	Tip holder M8xM6 L=25 mm	MDSM8-M6X25
41c	Tip holder M8xM8 L=22 mm	MDSM8-M8X22
41d	Tip holder M8xM8 L=25 mm	MDSM8-M8X25
42a	Contact Tip E-Cu M6 L=28 mm Ø 0.8 mm	MSDECUM6X28-08
	Contact Tip E-Cu M6 L=28 mm Ø 1.0 mm	MSDECUM6X28-10
	Contact Tip E-Cu M6 L=28 mm Ø 1.2 mm	MSDECUM6X28-12
	Contact Tip E-Cu M6 L=28 mm Ø 0.8 mm for Aluminium Wire	MSDECUM6X28-08A
	Contact Tip E-Cu M6 L=28 mm Ø 1.0 mm for Aluminium Wire	MSDECUM6X28-10A
	Contact Tip E-Cu M6 L=28 mm Ø 1.2 mm for Aluminium Wire	MSDECUM6X28-12A
	Contact Tip E-Cu M6 L=28 mm Ø 0.8 mm Nickel-Plated	MSDECNM6X28-08
	Contact Tip E-Cu M6 L=28 mm Ø 1.0 mm Nickel-Plated	MSDECNM6X28-10
	Contact Tip E-Cu M6 L=28 mm Ø 1.2 mm Nickel-Plated	MSDECNM6X28-12
	Contact Tip CuCrZr M6 L=28 mm Ø 0.8 mm	MSDCCZM6X28-08
	Contact Tip CuCrZr M6 L=28 mm Ø 0.9 mm	MSDCCZM6X28-09
	Contact Tip CuCrZr M6 L=28 mm Ø 1.0 mm	MSDCCZM6X28-10
	Contact Tip CuCrZr M6 L=28 mm Ø 1.2 mm	MSDCCZM6X28-12



Spare Parts

Position	Article Description	Order Number
42b	Contact Tip E-Cu M8 L=30 mm Ø 0.8 mm	MSDECUM8X30-08
	Contact Tip E-Cu M8 L=30 mm Ø 1.0 mm	MSDECUM8X30-10
	Contact Tip E-Cu M8 L=30 mm Ø 1.2 mm	MSDECUM8X30-12
	Contact Tip E-Cu M8 L=30 mm Ø 0.8 mm for Aluminium Wire	MSDECUM8X30-08A
	Contact Tip E-Cu M8 L=30 mm Ø 1.0 mm for Aluminium Wire	MSDECUM8X30-10A
	Contact Tip E-Cu M8 L=30 mm Ø 1.2 mm for Aluminium Wire	MSDECUM8X30-12A
	Contact Tip E-Cu M8 L=30 mm Ø 0.8 mm Nickel-Plated	MSDECNM8X30-08
	Contact Tip E-Cu M8 L=30 mm Ø 1.0 mm Nickel-Plated	MSDECNM8X30-10
	Contact Tip E-Cu M8 L=30 mm Ø 1.2 mm Nickel-Plated	MSDECNM8X30-12
	Contact Tip CuCrZr M8 L=30 mm Ø 0.8 mm	MSDCCZM8X30-08
	Contact Tip CuCrZr M8 L=30 mm Ø 1.0 mm	MSDCCZM8X30-10
	Contact Tip CuCrZr M8 L=30 mm Ø 1.2 mm	MSDCCZM8X30-12
43a	Gas Nozzle NW14 L=76 mm Conical	MGDK401-140
43b	Gas Nozzle NW16 L=76 mm Conical	MGDK401-160
43c	Gas Nozzle NW20 L=76 mm Cylindrical	MGDZ401-200
43d	Spot Weld Gas Nozzle NW20 L=85 mm	MGDP401-200

For information about torch packages, central connections and liners go to rubric 2.1.L



2.1.5

MIG/MAG Torch M 350 EP



MIG/MAG Torch M 350 EP

Capacity at 60 %**duty cycle (10 min. cycle):**

- with mixed gas M21 300 amps
- with CO₂ 330 amps

At pulsed arc the duty cycles decrease up to 35%!

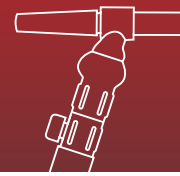
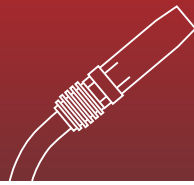
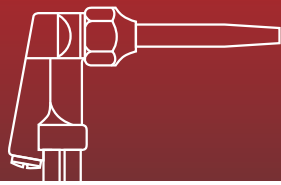
Type of cooling: Air cooling

Wire diameter: 1.0-1.2 mm

Gas flow: 12 l/min

Standard: Conform to EN 60974-7 CE

Connection: GZ-2F euro central plug
other connections on request



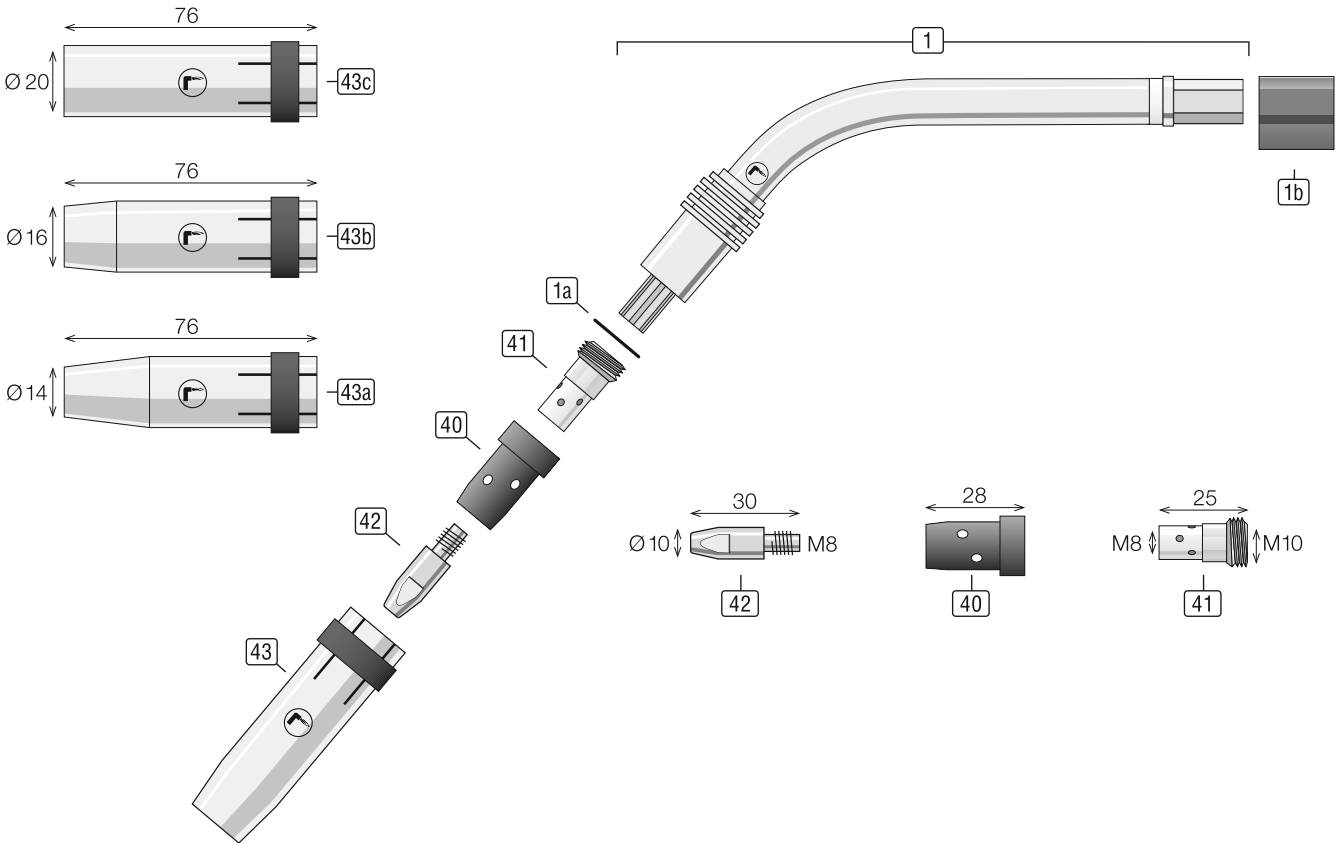
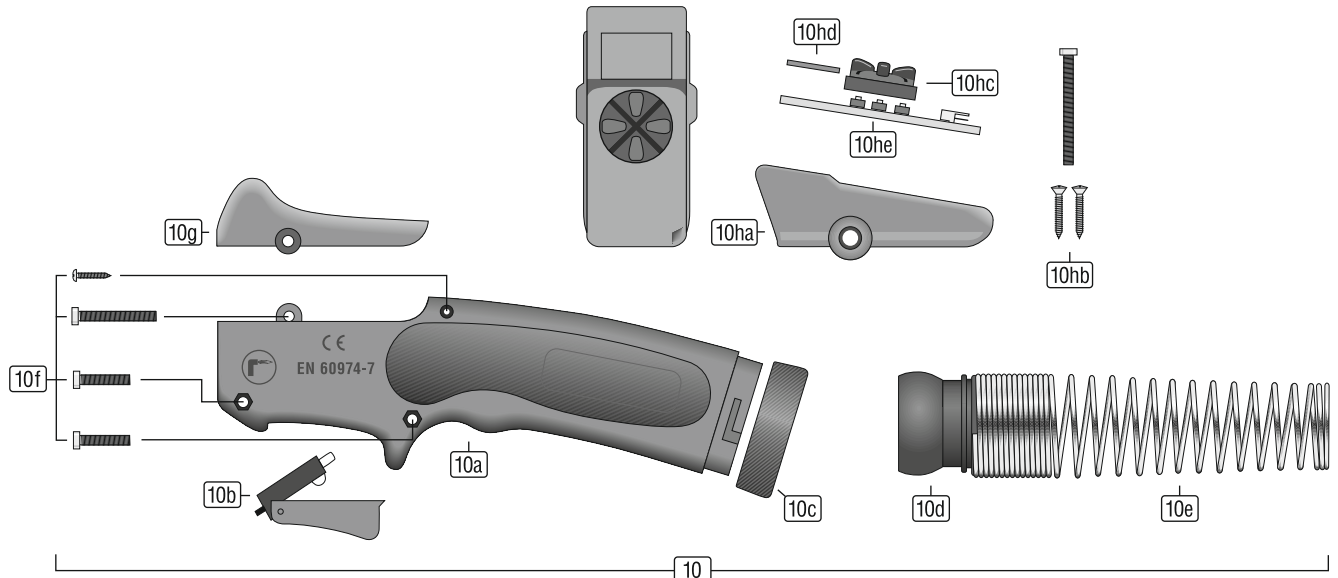
MIG 350 EP

330 A CO₂ – 300 A Mix – 60 % ED

Handle RMC MIG

RMC MIG – standard

RMC MIG – Up/Down





MIG-/MAG-Torches M 350 EP MIG-Euro-Power Complete – inclusive Spare-Part for Wire Ø 1.0 mm

Position	Article Description	Order Number
	M350/3 m Griff-RMC-ED black	M350030.00.R01.100.SW
	M350/4 m Griff-RMC-ED black	M350040.00.R01.100.SW
	M350/5 m Griff-RMC-ED black	M350050.00.R01.100.SW

Replacement Parts Handle

Position	Article Description	Order Number
10	Handle-SET RMC Standard MEP (air cooled)	M.0005.0120-SW
	Handle-SET RMC UpDown MEP	M.0005.0122-SW
10a	Handle Pair RMC (le+ri) MEP	M.0005.1120-SW
10b	Switch	M.T005.0106
10c	Lock Ring RMC	M.0005.1190
10d	Ball Joint	M.T005.0105
10e	Bend Protection Spring Small (Standard)	M.T005.0111
	Bend Protection Spring Big (UpDown)	M.T005.0110
10f	Screw Set RMC	M.0005.1903
10g	Top Frame RMC Standard	M.0005.1191-SW
10ha	Top Frame RMC Remote (le+ri) (UpDown)	M.0005.5101-SW
10hb	Screw Set RMC Remote	M.0005.1904
10hc	Switch Rubber RMC (UpDown)	M.0005.4101
10hd	Cover Window RMC (UpDown)	M.0005.5191-SW
10he	Circuit Board UpDown	M.0005.1217

Replacement Parts Swan Neck

Position	Article Description	Order Number
1	Swan Neck M 350	MBH350
1a	Insulating disc	MIS401
1b	Adapter for Swan Neck	MBH-ZK

Spare Parts

Position	Article Description	Order Number
40	Gas diffuser ceramic	MGV401K
	Gas diffuser White	MGV401W
41	Tip holder M10xM8 L=25 mm	MDSM10-M8X25
42	Contact Tip E-Cu M8 L=30 mm Ø 0.8 mm	MSDECUM8X30-08
	Contact Tip E-Cu M8 L=30 mm Ø 1.0 mm	MSDECUM8X30-10
	Contact Tip E-Cu M8 L=30 mm Ø 1.2 mm	MSDECUM8X30-12
	Contact Tip E-Cu M8 L=30 mm Ø 0.8 mm for Aluminium Wire	MSDECUM8X30-08A
	Contact Tip E-Cu M8 L=30 mm Ø 1.0 mm for Aluminium Wire	MSDECUM8X30-10A
	Contact Tip E-Cu M8 L=30 mm Ø 1.2 mm for Aluminium Wire	MSDECUM8X30-12A
43a	Gas Nozzle NW14 L=76 mm Conical	MGDK401-140
43b	Gas Nozzle NW16 L=76 mm Conical	MGDK401-160
43c	Gas Nozzle NW20 L=76 mm Cylindrical	MGDZ401-200
	Spot Weld Gas Nozzle NW20 L=85 mm	MGDP401-200

For information about torch packages, central connections and liners go to rubric 2.1.L



2.1.6

MIG/MAG Torch M 360 EP



MIG/MAG Torch M 360 EP

Capacity at 60 %

duty cycle (10 min. cycle):

- with mixed gas M21 270 amps
- with CO₂ 300 amps

At pulsed arc the duty cycles decrease up to 35%!

Type of cooling: Air cooling

Wire diameter: 1.0-1.2 mm

Gas flow: 12 l/min

Standard: Conform to EN 60974-7 CE

Connection: GZ-2F euro central plug
other connections on request



MIG-/MAG-Torches M 360 EP MIG-Euro-Power Complete – inclusive Spare-Part for Wire Ø 1.0 mm

Position	Article Description	Order Number
	M360 3 m RMC Standard black	M360030.00.R01.100.SW
	M360 4 m RMC Standard black	M360040.00.R01.100.SW
	M360 5 m RMC Standard black	M360050.00.R01.100.SW

Replacement Parts Handle

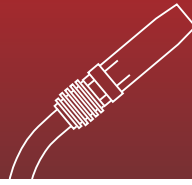
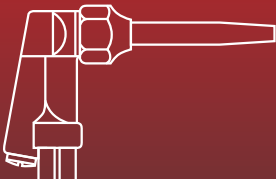
Position	Article Description	Order Number
10	Handle-SET RMC Standard MEP (air cooled)	M.0005.0120-SW
	Handle-SET RMC UpDown MEP	M.0005.0122-SW
10a	Handle Pair RMC (le+ri) MEP	M.0005.1120-SW
10b	Switch	M.T005.0106
10c	Lock Ring RMC	M.0005.1190
10d	Ball Joint	M.T005.0105
10e	Bend Protection Spring Small (Standard)	M.T005.0111
	Bend Protection Spring Big (UpDown)	M.T005.0110
10f	Screw Set RMC	M.0005.1903
10g	Top Frame RMC Standard	M.0005.1191-SW
10ha	Top Frame RMC Remote (le+ri) (UpDown)	M.0005.5101-SW
10hb	Screw Set RMC Remote	M.0005.1904
10hc	Switch Rubber RMC (UpDown)	M.0005.4101
10hd	Cover Window RMC (UpDown)	M.0005.5191-SW
10he	Circuit Board UpDown	M.0005.1217

Replacement Parts Swan Neck

Position	Article Description	Order Number
1	Swan Neck M 360	MBH360
1b	Adapter for Swan Neck	MBH-ZK

Spare Parts

Position	Article Description	Order Number
40	Gas diffuser White	MGV360W
	Gas diffuser ceramic	MGV360K
41a	Tip holder M8xM6 L=28 mm	MDSM8-M6X28
41b	Tip holder M8xM6 L=32 mm	MDSM8-M6X32
41c	Tip holder M8xM8 L=28 mm	MDSM8-M8X28
41d	Tip holder M8xM8 L=34 mm	MDSM8-M8X34
42a	Contact Tip E-Cu M6 L=28 mm Ø 0.8 mm	MSDECUM6X28-08
	Contact Tip E-Cu M6 L=28 mm Ø 1.0 mm	MSDECUM6X28-10
	Contact Tip E-Cu M6 L=28 mm Ø 1.2 mm	MSDECUM6X28-12
	Contact Tip E-Cu M6 L=28 mm Ø 0.8 mm for Aluminium Wire	MSDECUM6X28-08A
	Contact Tip E-Cu M6 L=28 mm Ø 1.0 mm for Aluminium Wire	MSDECUM6X28-10A
	Contact Tip E-Cu M6 L=28 mm Ø 1.2 mm for Aluminium Wire	MSDECUM6X28-12A
	Contact Tip E-Cu M6 L=28 mm Ø 0.8 mm Nickel-Plated	MSDECNM6X28-08
	Contact Tip E-Cu M6 L=28 mm Ø 1.0 mm Nickel-Plated	MSDECNM6X28-10
	Contact Tip E-Cu M6 L=28 mm Ø 1.2 mm Nickel-Plated	MSDECNM6X28-12
	Contact Tip CuCrZr M6 L=28 mm Ø 0.8 mm	MSDCCZM6X28-08
	Contact Tip CuCrZr M6 L=28 mm Ø 0.9 mm	MSDCCZM6X28-09
	Contact Tip CuCrZr M6 L=28 mm Ø 1.0 mm	MSDCCZM6X28-10
	Contact Tip CuCrZr M6 L=28 mm Ø 1.2 mm	MSDCCZM6X28-12



Spare Parts

Position	Article Description	Order Number
42b	Contact Tip E-Cu M8 L=30 mm Ø 0.8 mm	MSDECUM8X30-08
	Contact Tip E-Cu M8 L=30 mm Ø 1.0 mm	MSDECUM8X30-10
	Contact Tip E-Cu M8 L=30 mm Ø 1.2 mm	MSDECUM8X30-12
	Contact Tip E-Cu M8 L=30 mm Ø 1.4 mm	MSDECUM8X30-14
	Contact Tip E-Cu M8 L=30 mm Ø 1.6 mm	MSDECUM8X30-16
	Contact Tip E-Cu M8 L=30 mm Ø 2.0 mm	MSDECUM8X30-20
	Contact Tip E-Cu M8 L=30 mm Ø 2.4 mm	MSDECUM8X30-24
	Contact Tip E-Cu M8 L=30 mm Ø 0.8 mm for Aluminium Wire	MSDECUM8X30-08A
	Contact Tip E-Cu M8 L=30 mm Ø 1.0 mm for Aluminium Wire	MSDECUM8X30-10A
	Contact Tip E-Cu M8 L=30 mm Ø 1.2 mm for Aluminium Wire	MSDECUM8X30-12A
	Contact Tip E-Cu M8 L=30 mm Ø 1.6 mm for Aluminium Wire	MSDECUM8X30-16A
	Contact Tip E-Cu M8 L=30 mm Ø 0.8 mm Nickel-Plated	MSDECNM8X30-08
	Contact Tip E-Cu M8 L=30 mm Ø 1.0 mm Nickel-Plated	MSDECNM8X30-10
	Contact Tip E-Cu M8 L=30 mm Ø 1.2 mm Nickel-Plated	MSDECNM8X30-12
	Contact Tip CuCrZr M8 L=30 mm Ø 0.8 mm	MSDCCZM8X30-08
	Contact Tip CuCrZr M8 L=30 mm Ø 1.0 mm	MSDCCZM8X30-10
	Contact Tip CuCrZr M8 L=30 mm Ø 1.2 mm	MSDCCZM8X30-12
	Contact Tip CuCrZr M8 L=30 mm Ø 1.4 mm	MSDCCZM8X30-14
	Contact Tip CuCrZr M8 L=30 mm Ø 1.6 mm	MSDCCZM8X30-16
	Contact Tip CuCrZr M8 L=30 mm Ø 2.0 mm	MSDCCZM8X30-20
	Contact Tip CuCrZr M8 L=30 mm Ø 2.4 mm	MSDCCZM8X30-24
43a	Gas Nozzle Conical NW12 L=84 mm	MGDK360-120
43b	Gas Nozzle Conical NW16 L=84 mm	MGDK360-160
43c	Gas Nozzle Cylindrical NW19 L=84 mm	MGDZ360-190
	Spot Weld Gas Nozzle NW20 L=90 mm	MGDP360-200

For information about torch packages, central connections and liners go to rubric 2.1.L



2.1.7

MIG/MAG Torch M 360 AUT



MIG/MAG Machine Torch M 360 AUT

Capacity at 60 %**duty cycle (10 min. cycle):**

- with mixed gas M21 320 amps
- with CO₂ 350 amps

At pulsed arc the duty cycles decrease up to 35%!

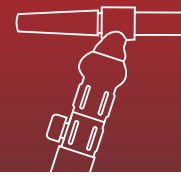
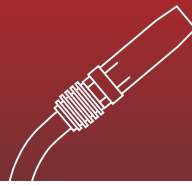
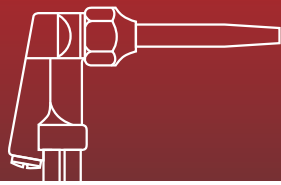
Type of cooling: Air cooling

Wire diameter: 1.0–1.2 mm

Gas flow: 12 l/min

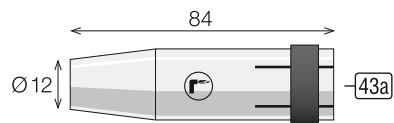
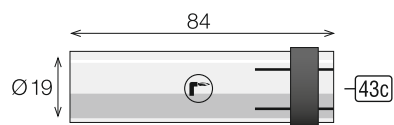
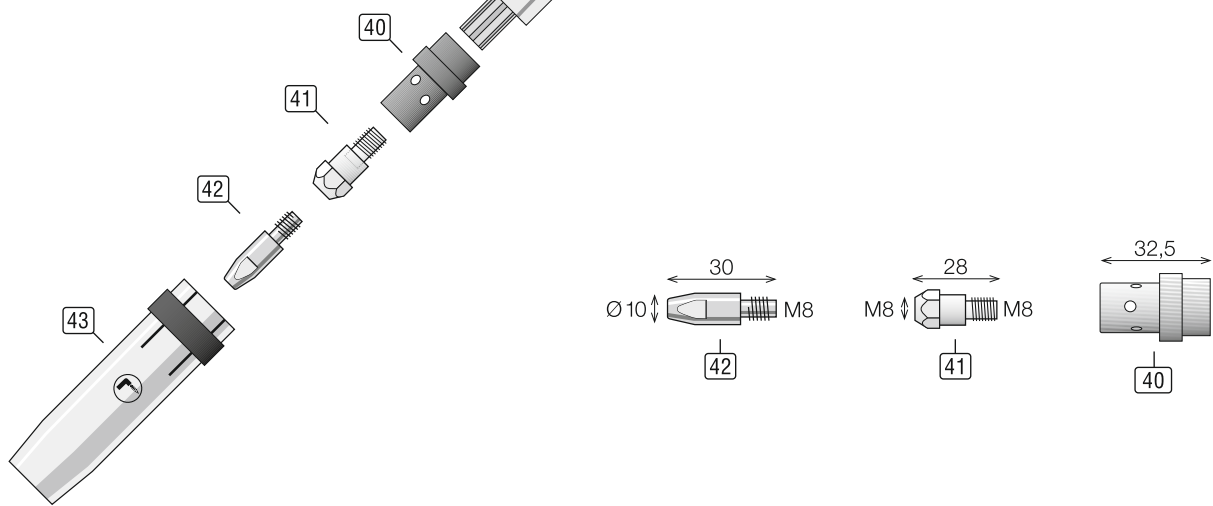
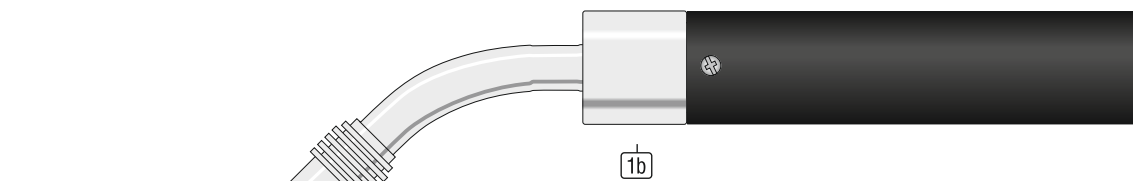
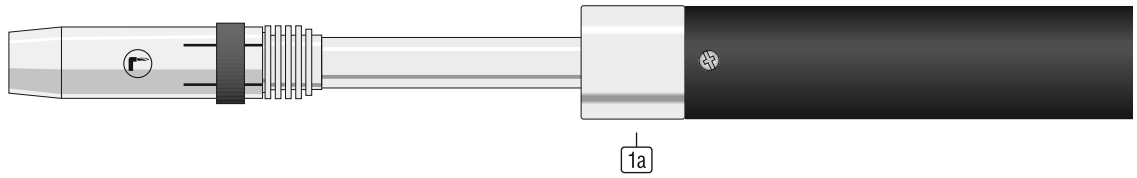
Standard: Conform to EN 60974-7 CE

Connection: GZ-2F euro central plug
other connections on request



MIG M 360 AUT

350 A CO₂ – 320 A Mix – 60 % ED



**MIG-/MAG-Torches M 360 AUT MIG-Euro-Power Complete –
inclusive Spare-Part for Wire Ø 1.2 mm**

Position	Article Description	Order Number
	M360/3 m Machine torch 0°	M360030.00.A00.100
	M360/4 m Machine torch 0°	M360040.00.A00.100
	M360/5 m Machine torch 0°	M360050.00.A00.100
	M360/3 m Machine torch 45°	M360030.00.A45.100
	M360/4 m Machine torch 45°	M360040.00.A45.100
	M360/5 m Machine torch 45°	M360050.00.A45.100

Replacement Parts Swan Neck

Position	Article Description	Order Number
1a	Swan Neck MEP-360 AUT 0°	MBH360A00
1b	Swan Neck MEP-360 AUT 45°	MBH360A45

Spare Parts

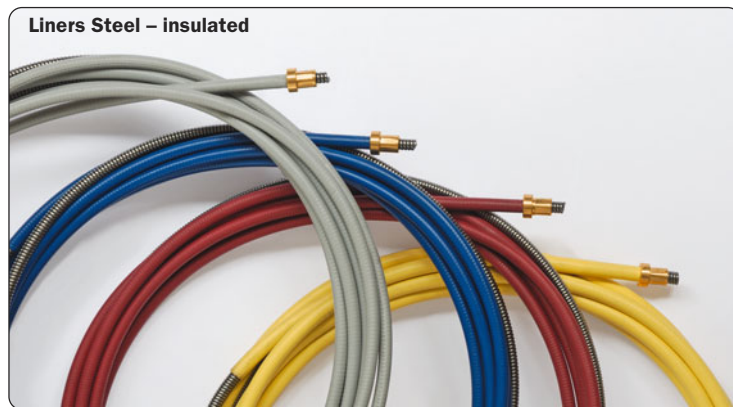
Position	Article Description	Order Number
40	Gas diffuser ceramic	MGV360K
	Gas diffuser White	MGV360W
41	Tip holder M8xM8 L=28 mm	MDSM8-M8X28
42	Contact Tip E-Cu M8 Draht Ø 1.0 mm	MSDECUM8X30-10
	Contact Tip E-Cu M8 Draht Ø 1.2 mm	MSDECUM8X30-12
	Contact Tip E-Cu M8 Draht Ø 1.4 mm	MSDECUM8X30-14
	Contact Tip E-Cu M8 Draht Ø 1.6 mm	MSDECUM8X30-16
	Contact Tip E-Cu M8 Draht Ø 1.0 mm for Aluminium Wire	MSDECUM8X30-10A
	Contact Tip E-Cu M8 Draht Ø 1.2 mm for Aluminium Wire	MSDECUM8X30-12A
	Contact Tip E-Cu M8 Draht Ø 1.4 mm for Aluminium Wire	MSDECUM8X30-14A
	Contact Tip E-Cu M8 Draht Ø 1.6 mm for Aluminium Wire	MSDECUM8X30-16A
43a	Gas Nozzle strong Conical NW12 L=84 mm	MGDK360-120
43b	Gas Nozzle Conical NW16 L=84 mm	MGDK360-160
43c	Gas Nozzle Cylindrical NW19 L=84 mm	MGDZ360-190

For information about torch packages, central connections and liners go to rubric 2.1.L



2.1.L

**Torch Packages
Central Connections
Liners
Air Cooled**

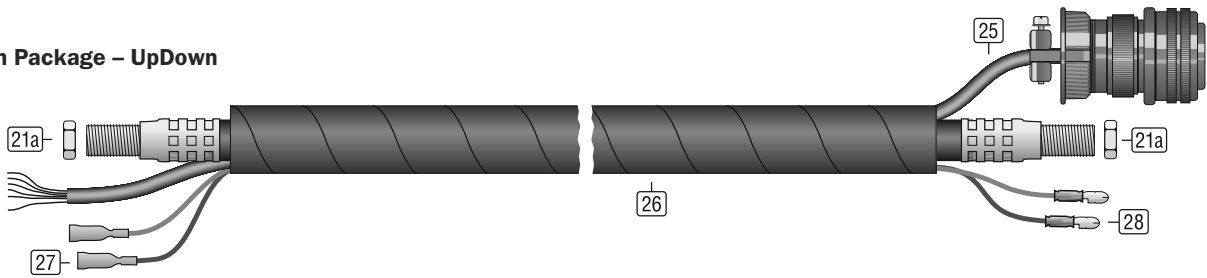


Torch Packages, Air Cooled

Torch Package – standard

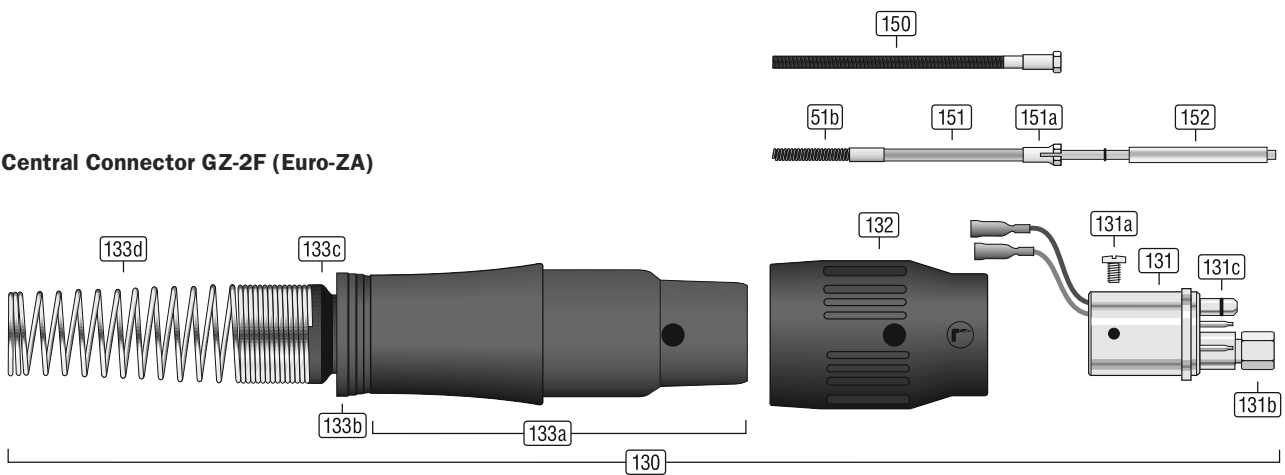


Torch Package – UpDown



Central Connections, Air Cooled

Central Connector GZ-2F (Euro-ZA)





Replacement Parts Torch Package Standard/UpDown

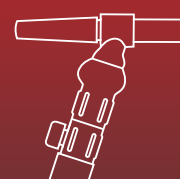
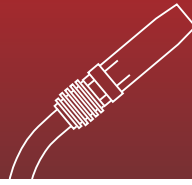
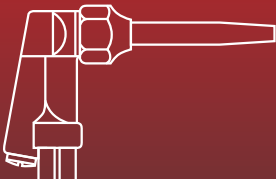
Position	Article Description	Order Number
21	Coaxial-Cable/3 m, Rubber, 16 mm ² , MEP	MCK-16x3
	Coaxial-Cable/4 m, Rubber, 16 mm ² , MEP	MCK-16x4
	Coaxial-Cable/5 m, Rubber, 16 mm ² , MEP	MCK-16x5
	Coaxial-Cable/3 m, Rubber, 25 mm ² , MEP	MCK-25x3
	Coaxial-Cable/4 m, Rubber, 25 mm ² , MEP	MCK-25x4
	Coaxial-Cable/5 m, Rubber, 25 mm ² , MEP	MCK-25x5
	Coaxial-Cable/3 m, Rubber, 35 mm ² , MEP	MCK-35x3
	Coaxial-Cable/4 m, Rubber, 35 mm ² , MEP	MCK-35x4
	Coaxial-Cable/5 m, Rubber, 35 mm ² , MEP	MCK-35x5
	Coaxial-Cable/3 m, Rubber, 50 mm ² , MEP	MCK-50x3
	Coaxial-Cable/4 m, Rubber, 50 mm ² , MEP	MCK-50x4
	Coaxial-Cable/5 m, Rubber, 50 mm ² , MEP	MCK-50x5
21a	Coaxial-Cable M10x1 right flat	855053322R
25	Control Cord 7x0.25 mm	855180107025FD
	Plug suitable to common power sources and according plug catalogue selectable	
26	Cover Sheat Gewebe Ø 25 mm	85514125
27	Socket 2.8 x 0.5 mm	85523FH2808RT
28	Plug insulated red 4 mm	85523RS4000RT
	Control Cord/3.5 m	M.F008.2135
	Control Cord/4.5 m	M.F008.2145

Replacement Parts "GZ-2F" (Euro-ZA) with Spring Pin Contacts

Position	Article Description	Order Number
130	Central Connector GZ-2F complete	M.T007.0020
131	Central Connector GZ-2F with Spring Pin Contacts	M.T007.0102
131a	Screw for Central Connector Block	M.T007.0901
131b	Nur for Wire Guide	8551511ZDM
131c	O-Ring for Gas Pin	8551511ZOG
	Socket red 4 mm	85523RH4000RT
132	Connection nut	855151ZG7-222
133a	MIG Connector Case aircooled	855151ZG7-112
133b	Lockring	M.T005.0104
133c	Ball Joint	M.T005.0105
133d	Bend Protection Spring small (Standard)	M.T005.0111
	Bend Protection Spring big (UpDown)	M.T005.0110

Wire Liner for Connection "GZ-2F" (Euro-ZA)

Position	Article Description	Order Number
150	Liner Steel/3 m, blue insulated, Wire Ø 0.6–0.8 mm	MSSBx3
	Liner Steel/4 m, blue insulated, Wire Ø 0.6–0.8 mm	MSSBx4
	Liner Steel/5 m, blue insulated, Wire Ø 0.6–0.8 mm	MSSBx5
	Liner Steel/3 m, red insulated, Wire Ø 1.0–1.2 mm	MSSRx3
	Liner Steel/4 m, red insulated, Wire Ø 1.0–1.2 mm	MSSRx4
	Liner Steel/5 m, red insulated, Wire Ø 1.0–1.2 mm	MSSRx5
	Liner Steel/3 m, yellow insulated, Wire Ø 1.4–1.6 mm	MSSGx3
	Liner Steel/4 m, yellow insulated, Wire Ø 1.4–1.6 mm	MSSGx4
	Liner Steel/5 m, yellow insulated, Wire Ø 1.4–1.6 mm	MSSGx5

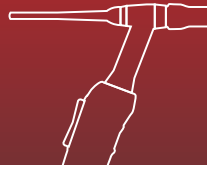


Liner for Connection "GZ-2F" (Euro-ZA)

Position	Article Description	Order Number
151	PTFE-Liner/3 m, Wire Ø 0.6–0.8 mm, blue	MSK-PT-BLX3
	PTFE-Liner/4 m, Wire Ø 0.6–0.8 mm, blue	MSK-PT-BLX4
	PTFE-Liner/5 m, Wire Ø 0.6–0.8 mm, blue	MSK-PT-BLX5
	PTFE-Liner/3 m, Wire Ø 1.0–1.2 mm, red	MSK-PT-RTX3
	PTFE-Liner/4 m, Wire Ø 1.0–1.2 mm, red	MSK-PT-RTX4
	PTFE-Liner/5 m, Wire Ø 1.0–1.2 mm, red	MSK-PT-RTX5
	PTFE-Liner/3 m, Wire Ø 1.4–1.6 mm, yellow	MSK-PT-GEX3
	PTFE-Liner/4 m, Wire Ø 1.4–1.6 mm, yellow	MSK-PT-GEX4
	PTFE-Liner/5 m, Wire Ø 1.4–1.6 mm, yellow	MSK-PT-GEX5
151a	Nippel for Liner Plastic	MSK-H
51b	Bronze Spiral iØ 1.9	MSK-S-BR350-1
	Bronze Spiral iØ 2.2	MSK-S-BR350-2
151d	Brass Spiral for Liner Plastic	MSK-S
152	Guide Tube for Liner Plastic	MSK-F-XXX

XXX = 200, 300,
500, 1000 mm

For information about torch packages, central connections and liners go to rubric 2.1.W



2.1.8

MIG/MAG Torch M 241 EP



MIG/MAG Torch M 241 EP

Capacity at 100 %

duty cycle (10 min. cycle):

- with mixed gas M21 270 amps
- with CO₂ 300 amps

At pulsed arc the duty cycles decrease up to 35 %!

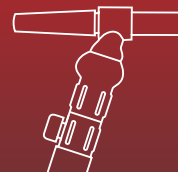
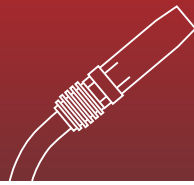
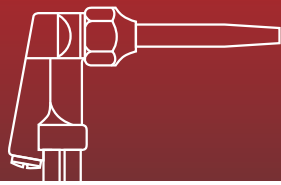
Type of cooling: Water cooling

Wire diameter: 0.8–1.2 mm

Gas flow: 14 l/min

Standard: Conform to EN 60974-7 CE

Connection: WZ-2F euro central plug
other connections on request



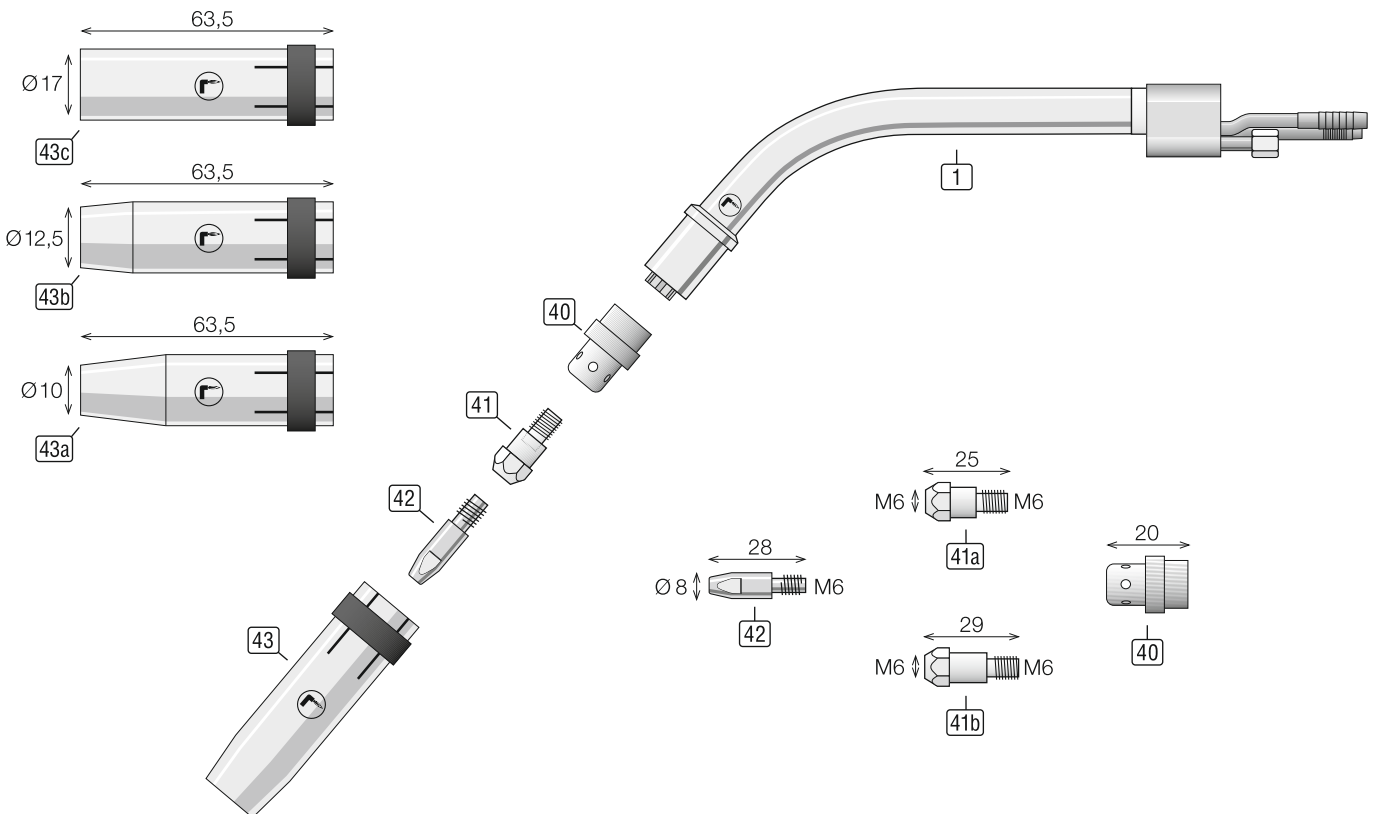
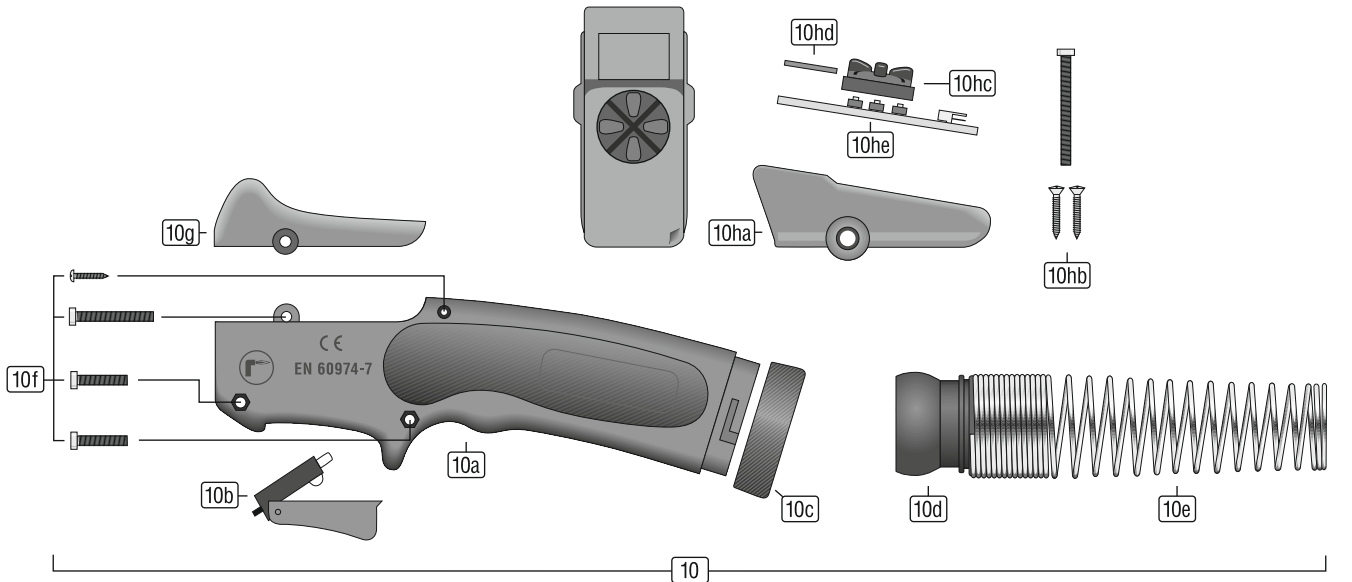
MIG 241 EP

300 A CO₂ – 270 A Mix – 100 % ED

Handle RMC MIG

RMC MIG – standard

RMC MIG – Up/Down





MIG-/MAG-Torches M 241 EP MIG-Euro-Power Complete – inclusive Spare-Part for Wire Ø 1.0 mm

Position	Article Description	Order Number
	M241 3 m RMC Standard black	M241030.E1.R01.100.SW
	M241 4 m RMC Standard black	M241040.E1.R01.100.SW
	M241 5 m RMC Standard black	M241050.E1.R01.100.SW

Replacement Parts Handle

Position	Article Description	Order Number
10	Handle-SET RMC Standard MEP (water cooled)	M.0005.0120-SW
	Handle-SET RMC UpDown MEP	M.0005.0122-SW
10a	Handle Pair RMC (le+ri) MEP	M.0005.1120-SW
10b	Switch	M.T005.0106
10c	Lock Ring RMC	M.0005.1190
10d	Ball Joint	M.T005.0105
10e	Bend Protection Spring Small (Standard)	M.T005.0111
	Bend Protection Spring Big (UpDown)	M.T005.0110
10f	Screw Set RMC	M.0005.1903
10g	Top Frame RMC Standard	M.0005.1191-SW
10ha	Top Frame RMC Remote (le+ri) (UpDown)	M.0005.5101-SW
10hb	Screw Set RMC Remote	M.0005.1904
10hc	Switch Rubber RMC (UpDown)	M.0005.4101
10hd	Cover Window RMC (UpDown)	M.0005.5191-SW
10he	Circuit Board UpDown	M.0005.1217

Replacement Parts Swan Neck

Position	Article Description	Order Number
1	Swan Neck M 241	MBH241

Spare Parts

Position	Article Description	Order Number
40	Gas diffuser White	MGV240W
	Gas diffuser ceramic	MGV240K
41a	Tip holder M6-M6 L=26 mm	MDSM6-M6x26
41b	Tip holder M6-M6 L=28 mm	MDSM6-M6x28
42	Contact Tip E-Cu M6 L=28 mm Ø 0.8 mm	MSDECUM6X28-08
	Contact Tip E-Cu M6 L=28 mm Ø 1.0 mm	MSDECUM6X28-10
	Contact Tip E-Cu M6 L=28 mm Ø 1.2 mm	MSDECUM6X28-12
	Contact Tip E-Cu M6 L=28 mm Ø 0.8 mm for Aluminium Wire	MSDECUM6X28-08A
	Contact Tip E-Cu M6 L=28 mm Ø 1.0 mm for Aluminium Wire	MSDECUM6X28-10A
	Contact Tip E-Cu M6 L=28 mm Ø 1.2 mm for Aluminium Wire	MSDECUM6X28-12A
	Contact Tip E-Cu M6 L=28 mm Ø 0.8 mm Nickel-Plated	MSDECNM6X28-08
	Contact Tip E-Cu M6 L=28 mm Ø 1.0 mm Nickel-Plated	MSDECNM6X28-10
	Contact Tip E-Cu M6 L=28 mm Ø 1.2 mm Nickel-Plated	MSDECNM6X28-12
	Contact Tip CuCrZr M6 L=28 mm Ø 0.8 mm	MSDCCZM6X28-08
	Contact Tip CuCrZr M6 L=28 mm Ø 0.9 mm	MSDCCZM6X28-09
	Contact Tip CuCrZr M6 L=28 mm Ø 1.0 mm	MSDCCZM6X28-10
	Contact Tip CuCrZr M6 L=28 mm Ø 1.2 mm	MSDCCZM6X28-12
43a	Gas Nozzle Conical NW10 L=63.5 mm	MGDK240-100
43b	Gas Nozzle Conical NW12.5 L=63.5 mm	MGDK240-125
43c	Gas Nozzle Cylindrical NW17 L=63.5 mm	MGDZ240-170
	Spot Weld Gas Nozzle NW17 L=68 mm	MGDP240-170

For information about torch packages, central connections and liners go to rubric 2.1.W



2.1.9

MIG/MAG Torch M 351 EP



MIG/MAG Torch M 351 EP

Capacity at 100 %**duty cycle (10 min. cycle):**

- with mixed gas M21 280 amps
- with CO₂ 320 amps

At pulsed arc the duty cycles decrease up to 35 %!

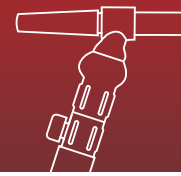
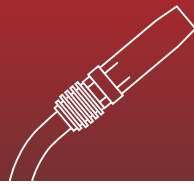
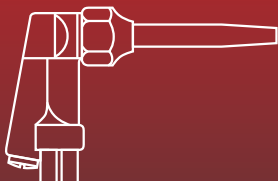
Type of cooling: Water cooling

Wire diameter: 0.8–1.2 mm

Gas flow: 14 l/min

Standard: Conform to EN 60974-7 CE

Connection: WZ-2F euro central plug
other connections on request



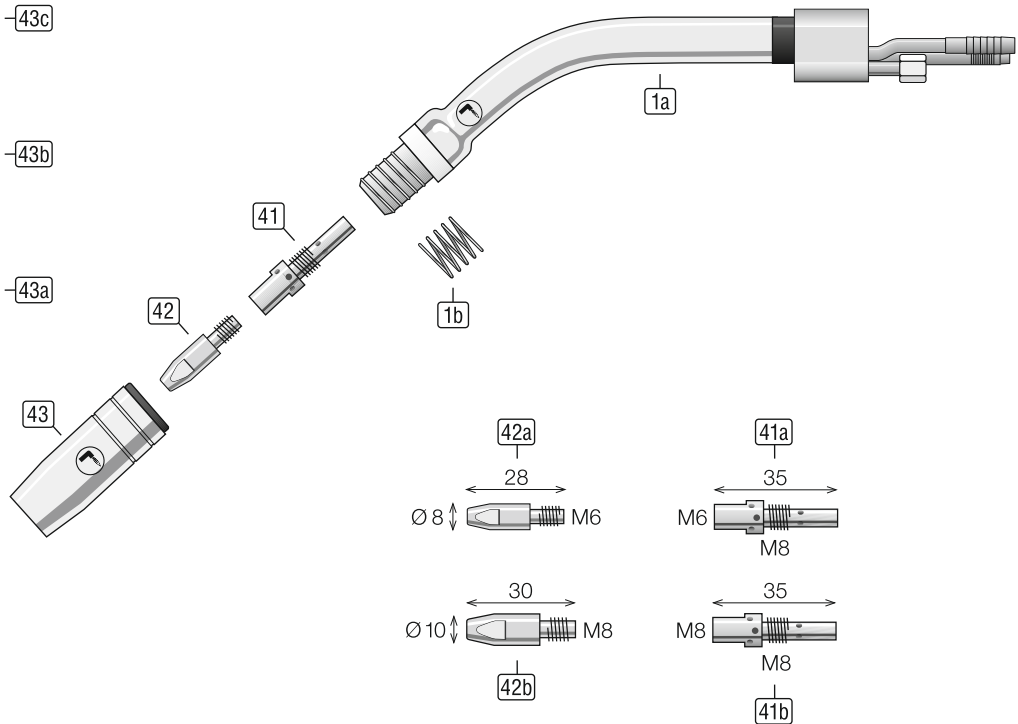
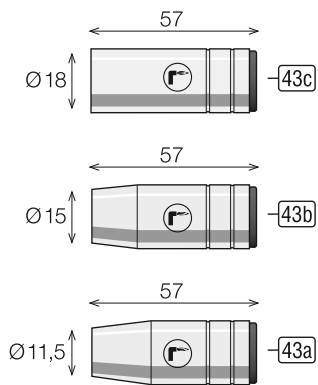
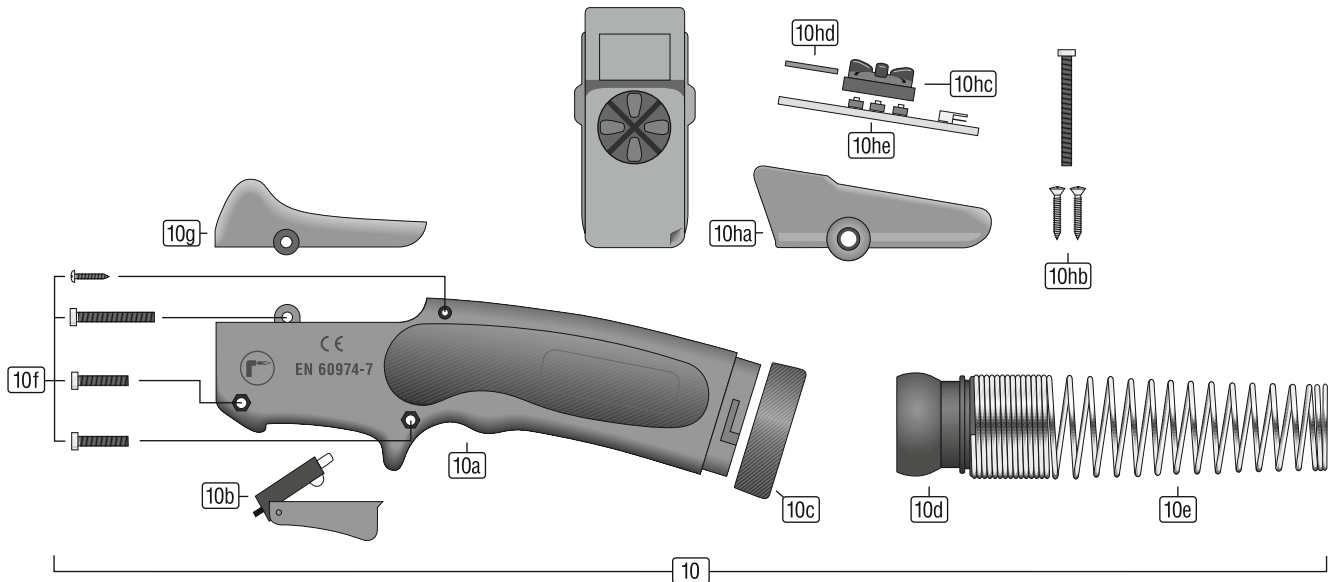
MIG 351 EP

320 A CO₂ – 280 A Mix – 100 % ED

Handle RMC MIG

RMC MIG – standard

RMC MIG – Up/Down





MIG-/MAG-Torches M 351 EP MIG-Euro-Power Complete – inclusive Spare-Part for Wire Ø 1.0 mm

Position	Article Description	Order Number
	M351 3 m RMC Standard black	M351030.E1.R01.100.SW
	M351 4 m RMC Standard black	M351040.E1.R01.100.SW
	M351 5 m RMC Standard black	M351050.E1.R01.100.SW

Replacement Parts Handle

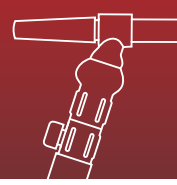
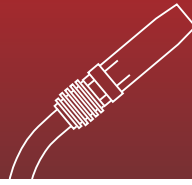
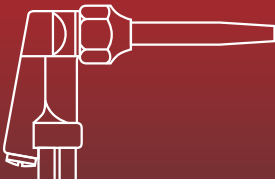
Position	Article Description	Order Number
10	Handle-SET RMC Standard MEP (water cooled)	M.0005.0120-SW
	Handle-SET RMC UpDown MEP	M.0005.0122-SW
10a	Handle Pair RMC (le+ri) MEP	M.0005.1120-SW
10b	Switch	M.T005.0106
10c	Lock Ring RMC	M.0005.1190
10d	Ball Joint	M.T005.0105
10e	Bend Protection Spring Small (Standard)	M.T005.0111
	Bend Protection Spring Big (UpDown)	M.T005.0110
10f	Screw Set RMC	M.0005.1903
10g	Top Frame RMC Standard	M.0005.1191-SW
10ha	Top Frame RMC Remote (le+ri) (UpDown)	M.0005.5101-SW
10hb	Screw Set RMC Remote	M.0005.1904
10hc	Switch Rubber RMC (UpDown)	M.0005.4101
10hd	Cover Window RMC (UpDown)	M.0005.5191-SW
10he	Circuit Board UpDown	M.0005.1217

Replacement Parts Swan Neck

Position	Article Description	Order Number
1a	Swan Neck M 351	MBH351
1b	Nozzle Spring	MHF250

Spare Parts

Position	Article Description	Order Number
41a	Tip holder M8-M6 L=35 mm	MDSM8-M6X35
41b	Tip holder M8-M8 L=35 mm	MSDM8-M8X35
42a	Contact Tip E-Cu M6 L=28 mm Ø 0.8 mm	MSDECUM6X28-08
	Contact Tip E-Cu M6 L=28 mm Ø 1.0 mm	MSDECUM6X28-10
	Contact Tip E-Cu M6 L=28 mm Ø 1.2 mm	MSDECUM6X28-12
	Contact Tip E-Cu M6 L=28 mm Ø 0.8 mm for Aluminium Wire	MSDECUM6X28-08A
	Contact Tip E-Cu M6 L=28 mm Ø 1.0 mm for Aluminium Wire	MSDECUM6X28-10A
	Contact Tip E-Cu M6 L=28 mm Ø 1.2 mm for Aluminium Wire	MSDECUM6X28-12A
	Contact Tip E-Cu M6 L=28 mm Ø 0.8 mm Nickel-Plated	MSDECNM6X28-08
	Contact Tip E-Cu M6 L=28 mm Ø 1.0 mm Nickel-Plated	MSDECNM6X28-10
	Contact Tip E-Cu M6 L=28 mm Ø 1.2 mm Nickel-Plated	MSDECNM6X28-12
42a	Contact Tip CuCrZr M6 L=28 mm Ø 0.8 mm	MSDCCZM6X28-08
	Contact Tip CuCrZr M6 L=28 mm Ø 0.9 mm	MSDCCZM6X28-09
	Contact Tip CuCrZr M6 L=28 mm Ø 1.0 mm	MSDCCZM6X28-10
	Contact Tip CuCrZr M6 L=28 mm Ø 1.2 mm	MSDCCZM6X28-12



Spare Parts

Position	Article Description	Order Number
42b	Contact Tip E-Cu M8 L=30 mm Ø 0.8 mm	MSDECUM8X30-08
	Contact Tip E-Cu M8 L=30 mm Ø 1.0 mm	MSDECUM8X30-10
	Contact Tip E-Cu M8 L=30 mm Ø 1.2 mm	MSDECUM8X30-12
	Contact Tip E-Cu M8 L=30 mm Ø 0.8 mm for Aluminium Wire	MSDECUM8X30-08A
	Contact Tip E-Cu M8 L=30 mm Ø 1.0 mm for Aluminium Wire	MSDECUM8X30-10A
	Contact Tip E-Cu M8 L=30 mm Ø 1.2 mm for Aluminium Wire	MSDECUM8X30-12A
	Contact Tip E-Cu M8 L=30 mm Ø 0.8 mm Nickel-Plated	MSDECNM8X30-08
	Contact Tip E-Cu M8 L=30 mm Ø 1.0 mm Nickel-Plated	MSDECNM8X30-10
	Contact Tip E-Cu M8 L=30 mm Ø 1.2 mm Nickel-Plated	MSDECNM8X30-12
	Contact Tip CuCrZr M8 L=30 mm Ø 0.8 mm	MSDCCZM8X30-08
	Contact Tip CuCrZr M8 L=30 mm Ø 1.0 mm	MSDCCZM8X30-10
	Contact Tip CuCrZr M8 L=30 mm Ø 1.2 mm	MSDCCZM8X30-12
43a	Gas Nozzle NW11.5 L=57 mm Conical	MGDK250-115
43b	Gas Nozzle NW15 L=57 mm Conical	MGDK250-150
43c	Gas Nozzle NW18 L=57 mm Cylindrical	MGDZ250-180
43d	Spot Weld Gas Nozzle NW18 L=67 mm	MGDP250-180

For information about torch packages, central connections and liners go to rubric 2.1.W



2.1.10

MIG/MAG Torch M 401 EP



MIG/MAG Torch M 401 EP

Capacity at 100 %

duty cycle (10 min. cycle):

- with mixed gas M21 350 amps
- with CO₂ 400 amps

At pulsed arc the duty cycles decrease up to 35%!

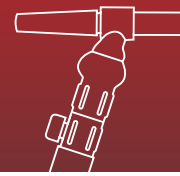
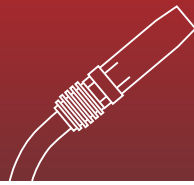
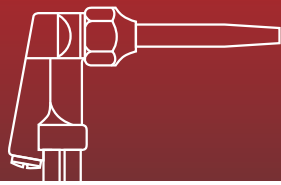
Type of cooling: Water cooling

Wire diameter: 0.8–1.2 mm

Gas flow: 14 l/min

Standard: Conform to EN 60 974-7 CE

Connection: WZ-2F euro central plug
other connections on request



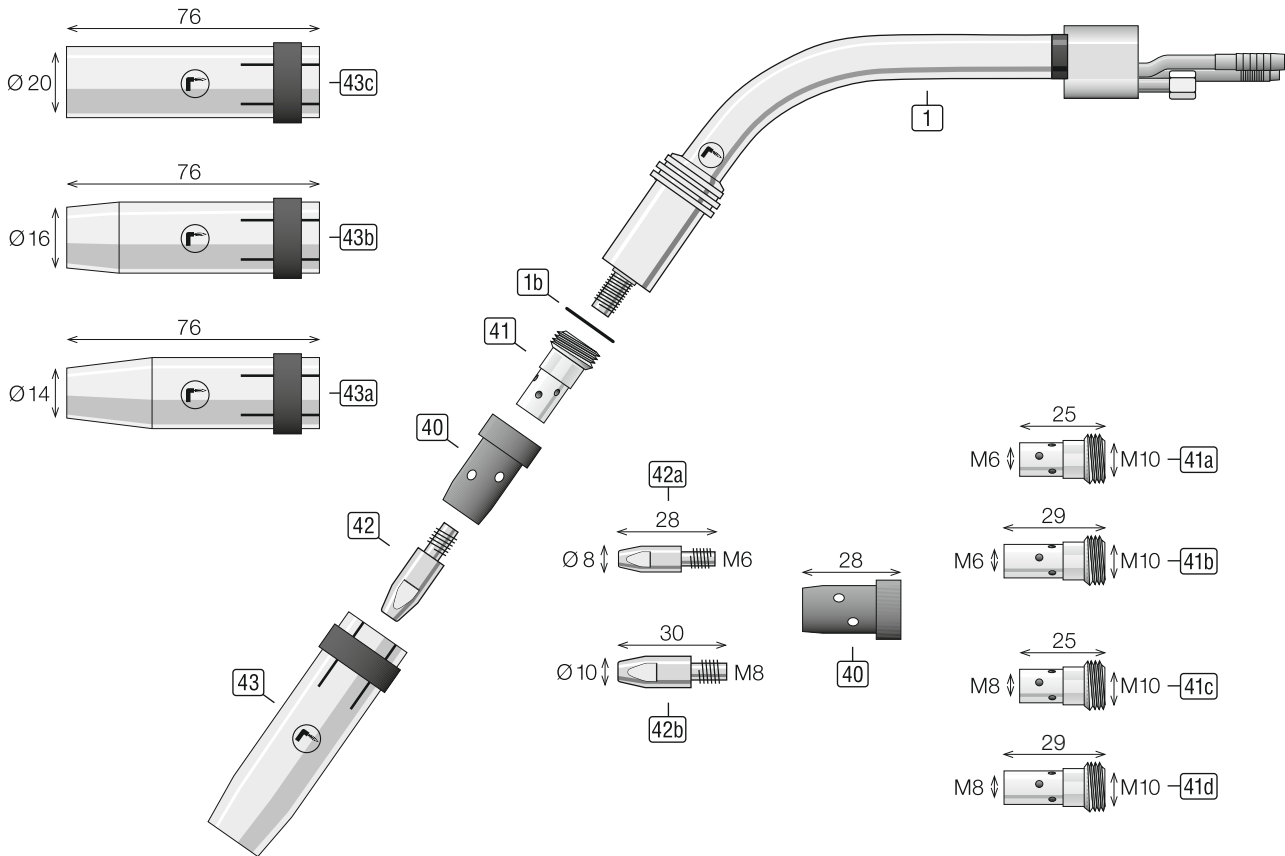
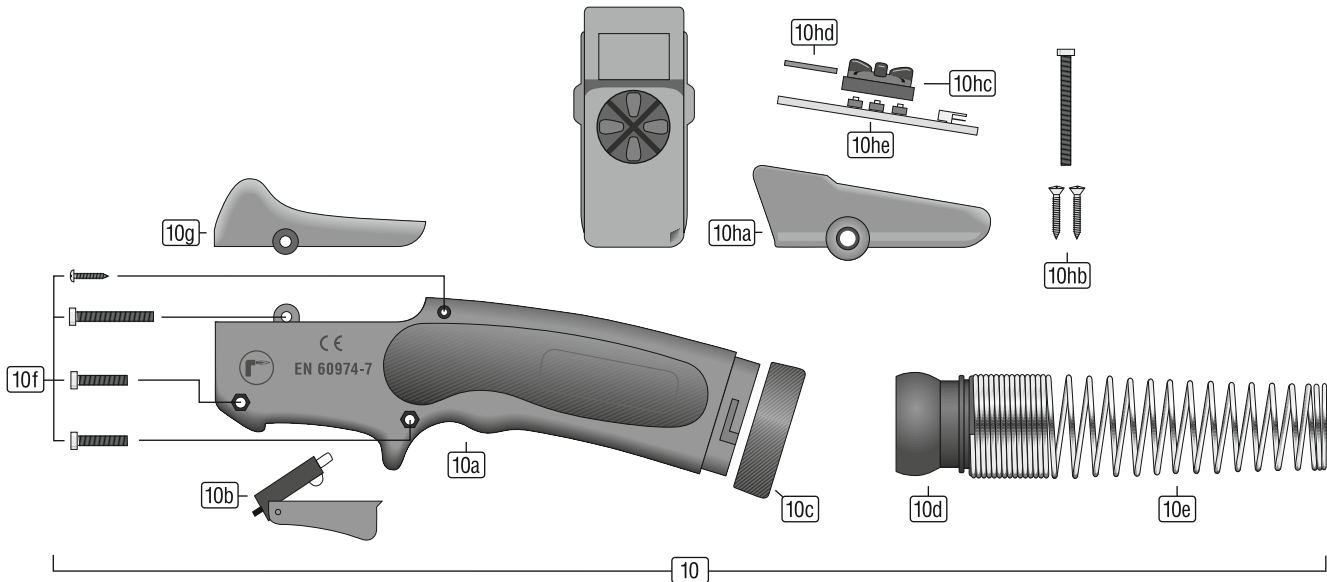
MIG 401 EP

400 A CO₂ – 350 A Mix – 100 % ED

Handle RMC MIG

RMC MIG – standard

RMC MIG – Up/Down





MIG-/MAG-Torches M 401 EP MIG-Euro-Power Complete – inclusive Spare-Part for Wire Ø 1.0 mm

Position	Article Description	Order Number
	M401 3 m RMC Standard black	M401030.E1.R01.100.SW
	M401 4 m RMC Standard black	M401040.E1.R01.100.SW
	M401 5 m RMC Standard black	M401050.E1.R01.100.SW

Replacement Parts Handle

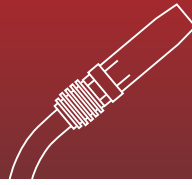
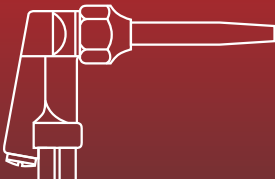
Position	Article Description	Order Number
10	Handle-SET RMC Standard MEP (water cooled)	M.0005.0120-SW
	Handle-SET RMC UpDown MEP	M.0005.0122-SW
10a	Handle Pair RMC (le+ri) MEP	M.0005.1120-SW
10b	Switch	M.T005.0106
10c	Lock Ring RMC	M.0005.1190
10d	Ball Joint	M.T005.0105
10e	Bend Protection Spring Small (Standard)	M.T005.0111
	Bend Protection Spring Big (UpDown)	M.T005.0110
10f	Screw Set RMC	M.0005.1903
10g	Top Frame RMC Standard	M.0005.1191-SW
10ha	Top Frame RMC Remote (le+ri) (UpDown)	M.0005.5101-SW
10hb	Screw Set RMC Remote	M.0005.1904
10hc	Switch Rubber RMC (UpDown)	M.0005.4101
10hd	Cover Window RMC (UpDown)	M.0005.5191-SW
10he	Circuit Board UpDown	M.0005.1217

Replacement Parts Swan Neck

Position	Article Description	Order Number
1	Swan Neck M 401	MBH401
1b	Insulating disc	MIS401

Spare Parts

Position	Article Description	Order Number
40	Gas diffuser White	MGV401W
	Gas diffuser ceramic	MGV401K
41a	Tip holder M10xM6 L=25 mm	MDSM10-M6X25
41b	Tip holder M10xM6 L=29 mm	MDSM10-M6X29
41c	Tip holder M10xM8 L=25 mm	MDSM10-M8X25
41d	Tip holder M10xM8 L=29 mm	MDSM10-M8X29
42a	Contact Tip E-Cu M6 L=28 mm Ø 0.8 mm	MSDECUM6X28-08
	Contact Tip E-Cu M6 L=28 mm Ø 1.0 mm	MSDECUM6X28-10
	Contact Tip E-Cu M6 L=28 mm Ø 1.2 mm	MSDECUM6X28-12
	Contact Tip E-Cu M6 L=28 mm Ø 0.8 mm for Aluminium Wire	MSDECUM6X28-08A
	Contact Tip E-Cu M6 L=28 mm Ø 1.0 mm for Aluminium Wire	MSDECUM6X28-10A
	Contact Tip E-Cu M6 L=28 mm Ø 1.2 mm for Aluminium Wire	MSDECUM6X28-12A
	Contact Tip E-Cu M6 L=28 mm Ø 0.8 mm Nickel-Plated	MSDECNM6X28-08
	Contact Tip E-Cu M6 L=28 mm Ø 1.0 mm Nickel-Plated	MSDECNM6X28-10
	Contact Tip E-Cu M6 L=28 mm Ø 1.2 mm Nickel-Plated	MSDECNM6X28-12
	Contact Tip CuCrZr M6 L=28 mm Ø 0.8 mm	MSDCCZM6X28-08
	Contact Tip CuCrZr M6 L=28 mm Ø 0.9 mm	MSDCCZM6X28-09
	Contact Tip CuCrZr M6 L=28 mm Ø 1.0 mm	MSDCCZM6X28-10
	Contact Tip CuCrZr M6 L=28 mm Ø 1.2 mm	MSDCCZM6X28-12



Spare Parts

Position	Article Description	Order Number
42b	Contact Tip E-Cu M8 L=30 mm Ø 0.8 mm	MSDECUM8X30-08
	Contact Tip E-Cu M8 L=30 mm Ø 1.0 mm	MSDECUM8X30-10
	Contact Tip E-Cu M8 L=30 mm Ø 1.2 mm	MSDECUM8X30-12
	Contact Tip E-Cu M8 L=30 mm Ø 1.4 mm	MSDECUM8X30-14
	Contact Tip E-Cu M8 L=30 mm Ø 1.6 mm	MSDECUM8X30-16
	Contact Tip E-Cu M8 L=30 mm Ø 2.0 mm	MSDECUM8X30-20
	Contact Tip E-Cu M8 L=30 mm Ø 2.4 mm	MSDECUM8X30-24
	Contact Tip E-Cu M8 L=30 mm Ø 0.8 mm for Aluminium Wire	MSDECUM8X30-08A
	Contact Tip E-Cu M8 L=30 mm Ø 1.0 mm for Aluminium Wire	MSDECUM8X30-10A
	Contact Tip E-Cu M8 L=30 mm Ø 1.2 mm for Aluminium Wire	MSDECUM8X30-12A
	Contact Tip E-Cu M8 L=30 mm Ø 1.6 mm for Aluminium Wire	MSDECUM8X30-16A
	Contact Tip E-Cu M8 L=30 mm Ø 0.8 mm Nickel-Plated	MSDECNM8X30-08
	Contact Tip E-Cu M8 L=30 mm Ø 1.0 mm Nickel-Plated	MSDECNM8X30-10
	Contact Tip E-Cu M8 L=30 mm Ø 1.2 mm Nickel-Plated	MSDECNM8X30-12
	Contact Tip CuCrZr M8 L=30 mm Ø 0.8 mm	MSDCCZM8X30-08
	Contact Tip CuCrZr M8 L=30 mm Ø 1.0 mm	MSDCCZM8X30-10
	Contact Tip CuCrZr M8 L=30 mm Ø 1.2 mm	MSDCCZM8X30-12
	Contact Tip CuCrZr M8 L=30 mm Ø 1.4 mm	MSDCCZM8X30-14
	Contact Tip CuCrZr M8 L=30 mm Ø 1.6 mm	MSDCCZM8X30-16
	Contact Tip CuCrZr M8 L=30 mm Ø 2.0 mm	MSDCCZM8X30-20
	Contact Tip CuCrZr M8 L=30 mm Ø 2.4 mm	MSDCCZM8X30-24
43a	Gas Nozzle NW14 L=76 mm Conical	MGDK401-140
43b	Gas Nozzle NW16 L=76 mm Conical	MGDK401-160
43c	Gas Nozzle NW20 L=76 mm Cylindrical	MGDZ401-200
	Spot Weld Gas Nozzle NW20 L=85 mm	MGDP401-200

For information about torch packages, central connections and liners go to rubric 2.1.W



2.1.11

MIG/MAG Torch M 501 EP



MIG/MAG Torch M 501 EP

Capacity at 100 %**duty cycle (10 min. cycle):**

- with mixed gas M21 450 amps
- with CO₂ 500 amps

At pulsed arc the duty cycles decrease up to 35%!

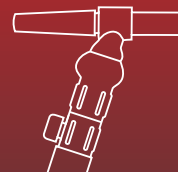
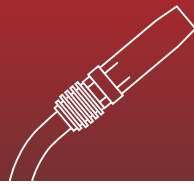
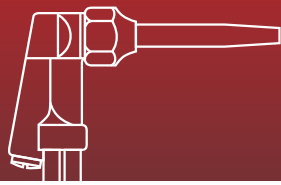
Type of cooling: Water cooling

Wire diameter: 1.0–1.6 mm

Gas flow: 14 l/min

Standard: Conform to EN 60 974-7 CE

Connection: WZ-2F euro central plug
other connections on request



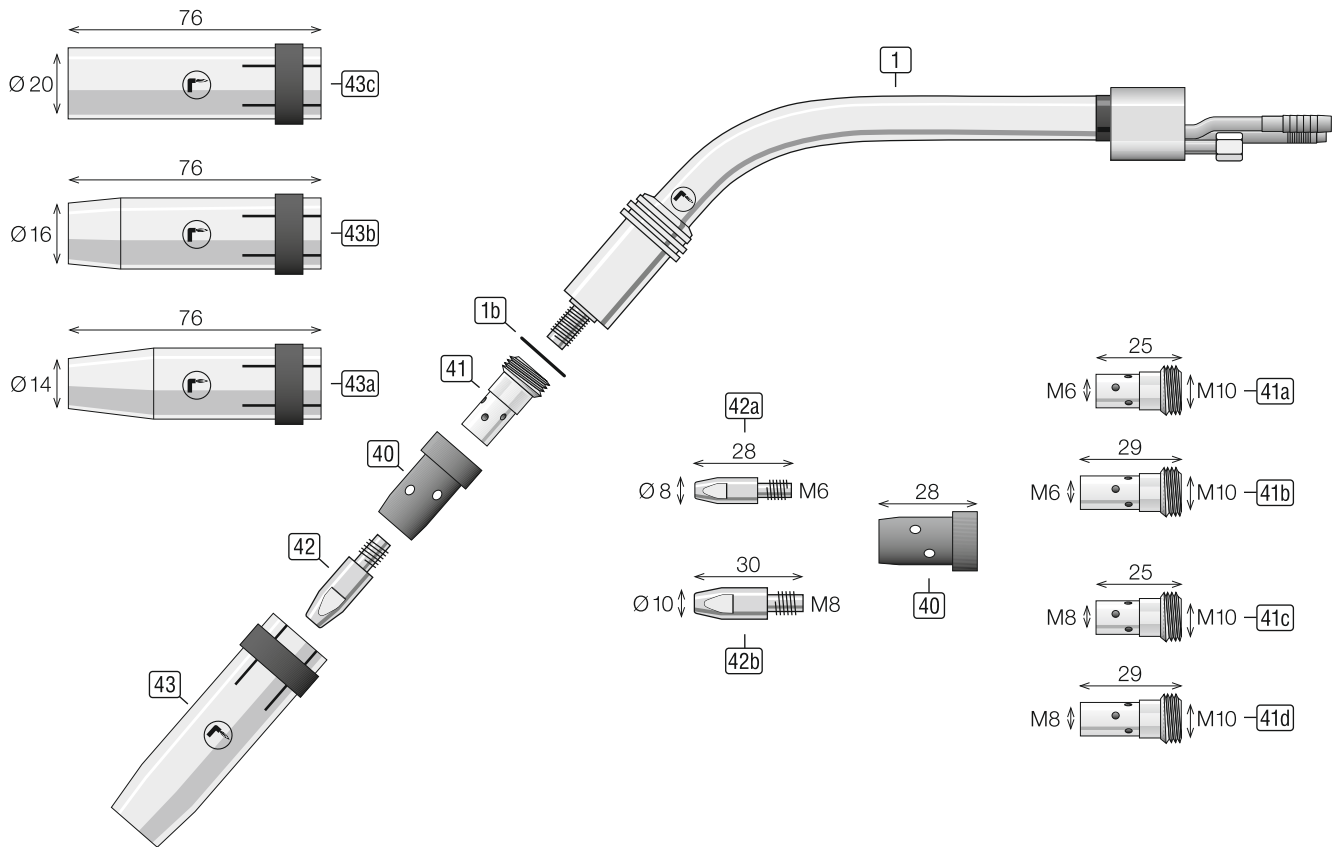
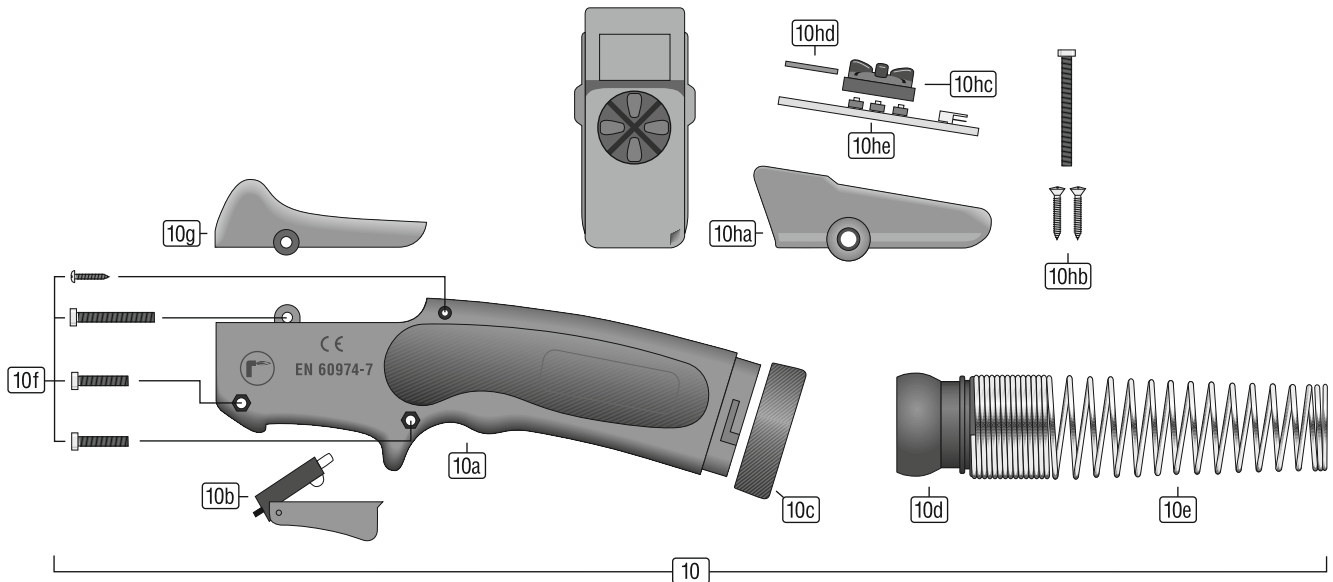
MIG 501 EP

500 A CO₂ – 450 A Mix – 100 % ED

Handle RMC MIG

RMC MIG – standard

RMC MIG – Up/Down



**MIG-/MAG-Torches M 501 EP MIG-Euro-Power Complete –
inclusive Spare-Part for Wire Ø 1.2 mm**

Position	Article Description	Order Number
	M501 3 m RMC Standard black	M501030.E1.R01.100.SW
	M501 4 m RMC Standard black	M501040.E1.R01.100.SW
	M501 5 m RMC Standard black	M501050.E1.R01.100.SW

Replacement Parts Handle

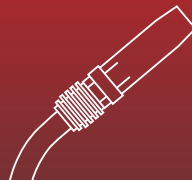
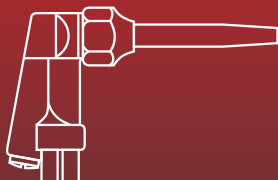
Position	Article Description	Order Number
10	Handle-SET RMC Standard MEP (water cooled)	M.0005.0120-SW
	Handle-SET RMC UpDown MEP	M.0005.0122-SW
10a	Handle Pair RMC (le+ri) MEP	M.0005.1120-SW
10b	Switch	M.T005.0106
10c	Lock Ring RMC	M.0005.1190
10d	Ball Joint	M.T005.0105
10e	Bend Protection Spring Small (Standard)	M.T005.0111
	Bend Protection Spring Big (UpDown)	M.T005.0110
10f	Screw Set RMC	M.0005.1903
10g	Top Frame RMC Standard	M.0005.1191-SW
10ha	Top Frame RMC Remote (le+ri) (UpDown)	M.0005.5101-SW
10hb	Screw Set RMC Remote	M.0005.1904
10hc	Switch Rubber RMC (UpDown)	M.0005.4101
10hd	Cover Window RMC (UpDown)	M.0005.5191-SW
10he	Circuit Board UpDown	M.0005.1217

Replacement Parts Swan Neck

Position	Article Description	Order Number
1	Swan Neck M 501	MBH501
1b	Insulating disc	MIS401

Spare Parts

Position	Article Description	Order Number
40	Gas diffuser White	MGV401W
	Gas diffuser ceramic	MGV401K
41a	Tip holder M10xM6 L=25 mm	MDSM10-M6X25
41b	Tip holder M10xM6 L=29 mm	MDSM10-M6X29
41c	Tip holder M10xM8 L=25 mm	MDSM10-M8X25
41d	Tip holder M10xM8 L=29 mm	MDSM10-M8X29
42a	Contact Tip E-Cu M6 L=28 mm Ø 0.8 mm	MSDECUM6X28-08
	Contact Tip E-Cu M6 L=28 mm Ø 1.0 mm	MSDECUM6X28-10
	Contact Tip E-Cu M6 L=28 mm Ø 1.2 mm	MSDECUM6X28-12
	Contact Tip E-Cu M6 L=28 mm Ø 0.8 mm for Aluminium Wire	MSDECUM6X28-08A
	Contact Tip E-Cu M6 L=28 mm Ø 1.0 mm for Aluminium Wire	MSDECUM6X28-10A
	Contact Tip E-Cu M6 L=28 mm Ø 1.2 mm for Aluminium Wire	MSDECUM6X28-12A
	Contact Tip E-Cu M6 L=28 mm Ø 0.8 mm Nickel-Plated	MSDECNM6X28-08
	Contact Tip E-Cu M6 L=28 mm Ø 1.0 mm Nickel-Plated	MSDECNM6X28-10
	Contact Tip E-Cu M6 L=28 mm Ø 1.2 mm Nickel-Plated	MSDECNM6X28-12
	Contact Tip CuCrZr M6 L=28 mm Ø 0.8 mm	MSDCCZM6X28-08
	Contact Tip CuCrZr M6 L=28 mm Ø 0.9 mm	MSDCCZM6X28-09
	Contact Tip CuCrZr M6 L=28 mm Ø 1.0 mm	MSDCCZM6X28-10
	Contact Tip CuCrZr M6 L=28 mm Ø 1.2 mm	MSDCCZM6X28-12



Spare Parts

Position	Article Description	Order Number
42b	Contact Tip E-Cu M8 L=30 mm Ø 0.8 mm	MSDECUM8X30-08
	Contact Tip E-Cu M8 L=30 mm Ø 1.0 mm	MSDECUM8X30-10
	Contact Tip E-Cu M8 L=30 mm Ø 1.2 mm	MSDECUM8X30-12
	Contact Tip E-Cu M8 L=30 mm Ø 1.4 mm	MSDECUM8X30-14
	Contact Tip E-Cu M8 L=30 mm Ø 1.6 mm	MSDECUM8X30-16
	Contact Tip E-Cu M8 L=30 mm Ø 2.0 mm	MSDECUM8X30-20
	Contact Tip E-Cu M8 L=30 mm Ø 2.4 mm	MSDECUM8X30-24
	Contact Tip E-Cu M8 L=30 mm Ø 0.8 mm for Aluminium Wire	MSDECUM8X30-08A
	Contact Tip E-Cu M8 L=30 mm Ø 1.0 mm for Aluminium Wire	MSDECUM8X30-10A
	Contact Tip E-Cu M8 L=30 mm Ø 1.2 mm for Aluminium Wire	MSDECUM8X30-12A
	Contact Tip E-Cu M8 L=30 mm Ø 1.6 mm for Aluminium Wire	MSDECUM8X30-16A
	Contact Tip E-Cu M8 L=30 mm Ø 0.8 mm Nickel-Plated	MSDECNM8X30-08
	Contact Tip E-Cu M8 L=30 mm Ø 1.0 mm Nickel-Plated	MSDECNM8X30-10
	Contact Tip E-Cu M8 L=30 mm Ø 1.2 mm Nickel-Plated	MSDECNM8X30-12
	Contact Tip CuCrZr M8 L=30 mm Ø 0.8 mm	MSDCCZM8X30-08
	Contact Tip CuCrZr M8 L=30 mm Ø 1.0 mm	MSDCCZM8X30-10
	Contact Tip CuCrZr M8 L=30 mm Ø 1.2 mm	MSDCCZM8X30-12
	Contact Tip CuCrZr M8 L=30 mm Ø 1.4 mm	MSDCCZM8X30-14
	Contact Tip CuCrZr M8 L=30 mm Ø 1.6 mm	MSDCCZM8X30-16
	Contact Tip CuCrZr M8 L=30 mm Ø 2.0 mm	MSDCCZM8X30-20
	Contact Tip CuCrZr M8 L=30 mm Ø 2.4 mm	MSDCCZM8X30-24
43a	Gas Nozzle NW14 L=76 mm Conical	MGDK401-140
43b	Gas Nozzle NW16 L=76 mm Conical	MGDK401-160
43c	Gas Nozzle NW20 L=76 mm Cylindrical	MGDZ401-200
	Spot Weld Gas Nozzle NW20 L=85 mm	MGDP401-200

For information about torch packages, central connections and liners go to rubric 2.1.W



ROHRMAN
SCHWEISSTECHNIK

2.1.12

MIG/MAG Torch M 501 AUT



MIG/MAG Machine Torch M 501 AUT

Capacity at 100 %**duty cycle (10 min. cycle):**

- with mixed gas M21 450 amps
- with CO₂ 500 amps

At pulsed arc the duty cycles decrease up to 35%!

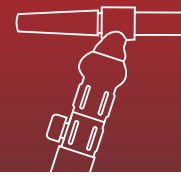
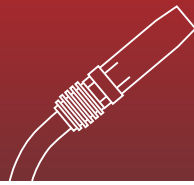
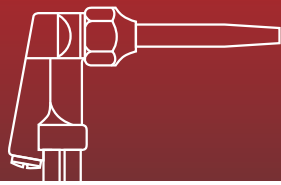
Type of cooling: Water cooling

Wire diameter: 1.0–1.6 mm

Gas flow: 14 l/min

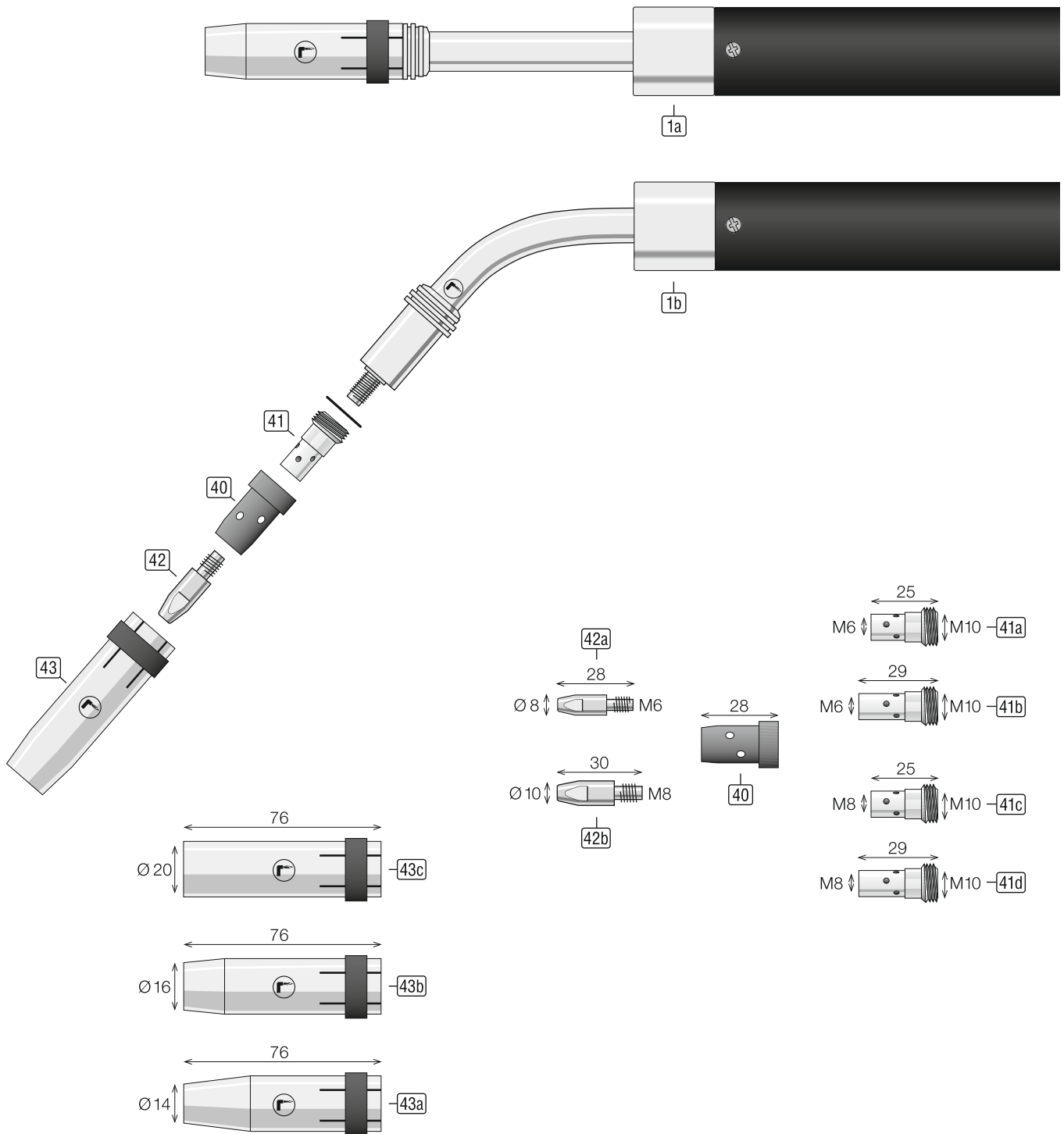
Standard: Conform to EN 60 974-7 CE

Connection: WZ-2F euro central plug
other connections on request



MIG M 501 AUT

500 A CO₂ – 450 A Mix – 100 % ED




**MIG-/MAG-Torches M 501 AUT MIG-Euro-Power Complete –
 inclusive Spare-Part for Wire Ø 1.2 mm**

Position	Article Description	Order Number
	M501/3 m Machine torch 0°	M501030.E1.A00.100
	M501/4 m Machine torch 0°	M501040.E1.A00.100
	M501/5 m Machine torch 0°	M501050.E1.A00.100
	M501/3 m Machine torch 45°	M501030.E1.A45.100
	M501/4 m Machine torch 45°	M501040.E1.A45.100
	M501/5 m Machine torch 45°	M501050.E1.A45.100

Replacement Parts Swan Neck

Position	Article Description	Order Number
1a	Swan Neck MEP-501 AUT 0°	MBH501A00
1b	Swan Neck MEP-501 AUT 45°	MBH501A45

Spare Parts

Position	Article Description	Order Number
40	Gas diffuser White	MGV401W
	Gas diffuser long life	MGV401L
	Gas diffuser ceramic	MGV401K
41a	Tip holder M10xM6 L=25 mm	MDSM10-M6X25
41b	Tip holder M10xM6 L=29 mm	MDSM10-M6X29
41c	Tip holder M10xM8 L=25 mm	MDSM10-M8X25
41d	Tip holder M10xM8 L=29 mm	MDSM10-M8X29
42a	Contact Tip E-Cu M6 L=28 mm Ø 0.8 mm	MSDECUM6X28-08
	Contact Tip E-Cu M6 L=28 mm Ø 1.0 mm	MSDECUM6X28-10
	Contact Tip E-Cu M6 L=28 mm Ø 1.2 mm	MSDECUM6X28-12
	Contact Tip E-Cu M6 L=28 mm Ø 0.8 mm for Aluminium Wire	MSDECUM6X28-08A
	Contact Tip E-Cu M6 L=28 mm Ø 1.0 mm for Aluminium Wire	MSDECUM6X28-10A
	Contact Tip E-Cu M6 L=28 mm Ø 1.2 mm for Aluminium Wire	MSDECUM6X28-12A
	Contact Tip E-Cu M6 L=28 mm Ø 0.8 mm Nickel-Plated	MSDECNM6X28-08
	Contact Tip E-Cu M6 L=28 mm Ø 1.0 mm Nickel-Plated	MSDECNM6X28-10
	Contact Tip E-Cu M6 L=28 mm Ø 1.2 mm Nickel-Plated	MSDECNM6X28-12
	Contact Tip CuCrZr M6 L=28 mm Ø 0.8 mm	MSDCCZM6X28-08
	Contact Tip CuCrZr M6 L=28 mm Ø 0.9 mm	MSDCCZM6X28-09
	Contact Tip CuCrZr M6 L=28 mm Ø 1.0 mm	MSDCCZM6X28-10
	Contact Tip CuCrZr M6 L=28 mm Ø 1.2 mm	MSDCCZM6X28-12
42b	Contact Tip E-Cu M8 L=30 mm Ø 0.8 mm	MSDECUM8X30-08
	Contact Tip E-Cu M8 L=30 mm Ø 1.0 mm	MSDECUM8X30-10
	Contact Tip E-Cu M8 L=30 mm Ø 1.2 mm	MSDECUM8X30-12
	Contact Tip E-Cu M8 L=30 mm Ø 1.4 mm	MSDECUM8X30-14
	Contact Tip E-Cu M8 L=30 mm Ø 1.6 mm	MSDECUM8X30-16
	Contact Tip E-Cu M8 L=30 mm Ø 2.0 mm	MSDECUM8X30-20
	Contact Tip E-Cu M8 L=30 mm Ø 2.4 mm	MSDECUM8X30-24
	Contact Tip E-Cu M8 L=30 mm Ø 0.8 mm for Aluminium Wire	MSDECUM8X30-08A
	Contact Tip E-Cu M8 L=30 mm Ø 1.0 mm for Aluminium Wire	MSDECUM8X30-10A
	Contact Tip E-Cu M8 L=30 mm Ø 1.2 mm for Aluminium Wire	MSDECUM8X30-12A
	Contact Tip E-Cu M8 L=30 mm Ø 1.6 mm for Aluminium Wire	MSDECUM8X30-16A
	Contact Tip E-Cu M8 L=30 mm Ø 0.8 mm Nickel-Plated	MSDECNM8X30-08
	Contact Tip E-Cu M8 L=30 mm Ø 1.0 mm Nickel-Plated	MSDECNM8X30-10
	Contact Tip E-Cu M8 L=30 mm Ø 1.2 mm Nickel-Plated	MSDECNM8X30-12
	Contact Tip CuCrZr M8 L=30 mm Ø 0.8 mm	MSDCCZM8X30-08
	Contact Tip CuCrZr M8 L=30 mm Ø 1.0 mm	MSDCCZM8X30-10
	Contact Tip CuCrZr M8 L=30 mm Ø 1.2 mm	MSDCCZM8X30-12
	Contact Tip CuCrZr M8 L=30 mm Ø 1.4 mm	MSDCCZM8X30-14
	Contact Tip CuCrZr M8 L=30 mm Ø 1.6 mm	MSDCCZM8X30-16
	Contact Tip CuCrZr M8 L=30 mm Ø 2.0 mm	MSDCCZM8X30-20
	Contact Tip CuCrZr M8 L=30 mm Ø 2.4 mm	MSDCCZM8X30-24
43a	Gas Nozzle NW14 L=76 mm Conical	MGDK401-140
43b	Gas Nozzle NW16 L=76 mm Conical	MGDK401-160
43c	Gas Nozzle NW20 L=76 mm Cylindrical	MGDZ401-200

For information about torch packages, central connections and liners go to rubric 2.1.W



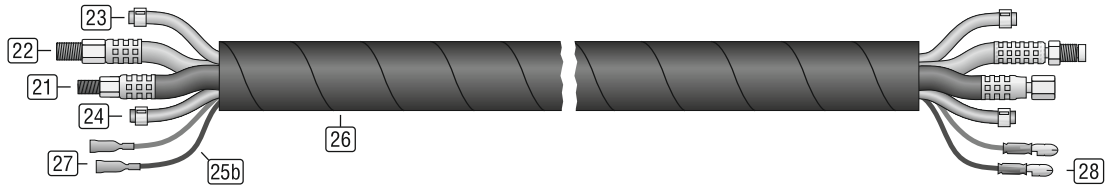
2.1.W

**Torch Packages
Central Connections
Liners
Water Cooled**

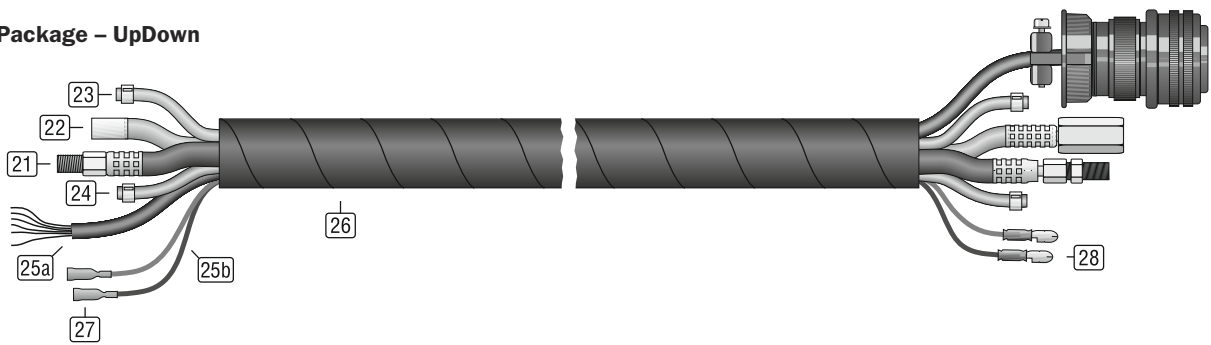


Torch Packages, Water Cooled

Torch Package – Standard

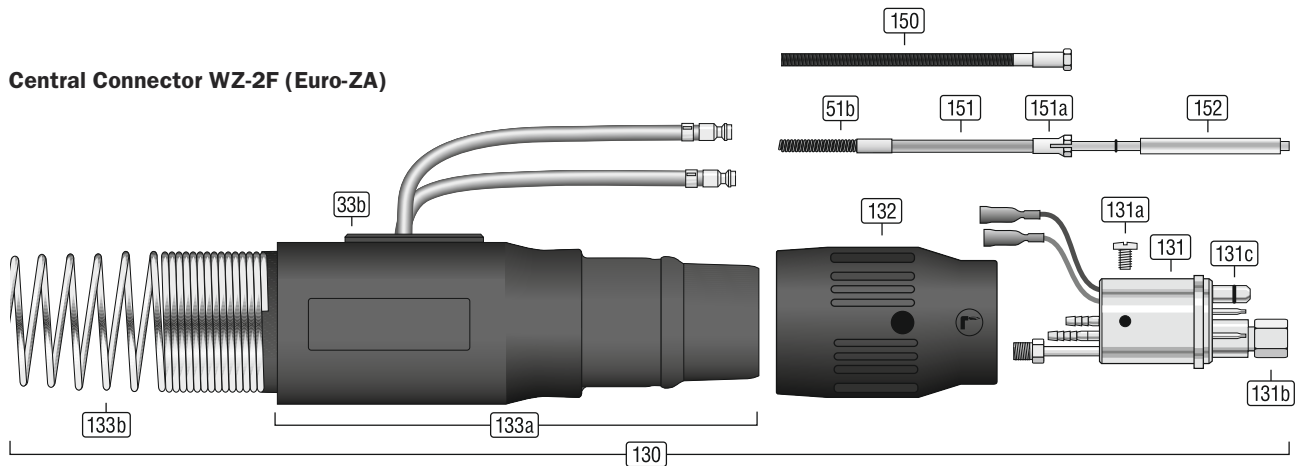


Torch Package – UpDown



Central Connections, Water Cooled

Central Connector WZ-2F (Euro-ZA)





Replacement Parts Torch Package / UpDown

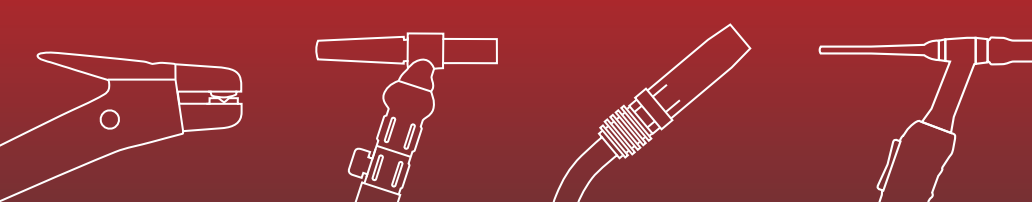
Position	Article Description	Order Number
21	Power Cable 3 m Gummi	MSWKx3
	Power Cable 4 m Gummi	MSWKx4
	Power Cable 5 m Gummi	MSWKx5
22	Wire Conduit 3 m	MDFx3
	Wire Conduit 4 m	MDFx4
	Wire Conduit 5 m	MDFx5
23	Hose, PVC, 5x8, blue	855120508B
	Hose, PVC, red	855120508R
24	Hose, PVC, 4x7, black	855120407
25a	Control Cable 7x0.25	855180107025FD
	Plug suitable to common power sources and according plug catalogue selectable	
25b	Control Cable 0.5 mm ² br (+) Wire	8551805050-01
	Control Cable 0.5 mm ² bl (-) Wire	8551805050-02
26	Cable Cover Sheath Canvas Ø 25 mm	85514125
27	Socket Insulated Red 2.8 x 0.5 mm	85523FH2808RT
28	Plug Insulated Red 4 mm	85523RS4000RT

Replacement Parts Central Connector "WZ-2F" (Euro-ZA) with Spring Pin Contacts

Position	Article Description	Order Number
130	Central Connector WZ-2F complet	M.T007.0010
131	Central Connector WZ-2F with Spring Pin Contacts	M.T007.0201
131a	Screw for Central Connector	M.T007.0901
131b	Nut for Wire Guide	8551511ZDM
131c	O-Ring for Gas Pin	8551511ZOG
	Socket Insulated Red, 4 mm	85523RH4000RT
132	Terminal Nut	855151ZG7-120
133a	Central Connector Case	855151ZG6-01
33b	Cable Inlet	855151ZG6-017
133b	Bend Protection	855151ZG6-022

Wire Liner for Connection "WZ-2F" (Euro-ZA)

Position	Article Description	Bestellnummer
150	Liner Steel/3 m, Nude, Wire Ø 0.6–0.8 mm	MSS-15x40x3
	Liner Steel/4 m, Nude, Wire Ø 0.6–0.8 mm	MSS-15x40x4
	Liner Steel/5 m, Nude, Wire Ø 0.6–0.8 mm	MSS-15x40x5
	Liner Steel/3 m, Nude, Wire Ø 1.0–1.2 mm	MSS-20x45x3
	Liner Steel/4 m, Nude, Wire Ø 1.0–1.2 mm	MSS-20x45x4
	Liner Steel/5 m, Nude, Wire Ø 1.0–1.2 mm	MSS-20x45x5
	Liner Steel/3 m, Nude, Wire Ø 1.4–1.6 mm	MSS-25x45x3
	Liner Steel/4 m, Nude, Wire Ø 1.4–1.6 mm	MSS-25x45x4
	Liner Steel/5 m, Nude, Wire Ø 1.4–1.6 mm	MSS-25x45x5
151	PTFE-Liner/3 m Wire Ø 0.6–0.8 mm blue	MSK-PT-BLX3
	PTFE-Liner/4 m Wire Ø 0.6–0.8 mm blue	MSK-PT-BLX4
	PTFE-Liner/5 m Wire Ø 0.6–0.8 mm blue	MSK-PT-BLX5
	PTFE-Liner/3 m Wire Ø 1.0–1.2 mm red	MSK-PT-RTX3
	PTFE-Liner/4 m Wire Ø 1.0–1.2 mm red	MSK-PT-RTX4
	PTFE-Liner/5 m Wire Ø 1.0–1.2 mm red	MSK-PT-RTX5
	PTFE-Liner/3 m Wire Ø 1.4–1.6 mm yellow	MSK-PT-GEX3
	PTFE-Liner/4 m Wire Ø 1.4–1.6 mm yellow	MSK-PT-GEX4
	PTFE-Liner/5 m Wire Ø 1.4–1.6 mm yellow	MSK-PT-GEX5
151a	Nippel for Liner Plastic	MSK-H
51b	Bronze Spiral for Liner Plastic iØ 1.9	MSK-S-BR350-1
	Bronze Spiral for Liner Plastic iØ 2.2	MSK-S-BR350-2
152	Guide Tube for Liner Plastic	MSK-F-XXX
		XXX = 200, 300, 500, 1000 mm



For more information contact your local welding supply distributor.

