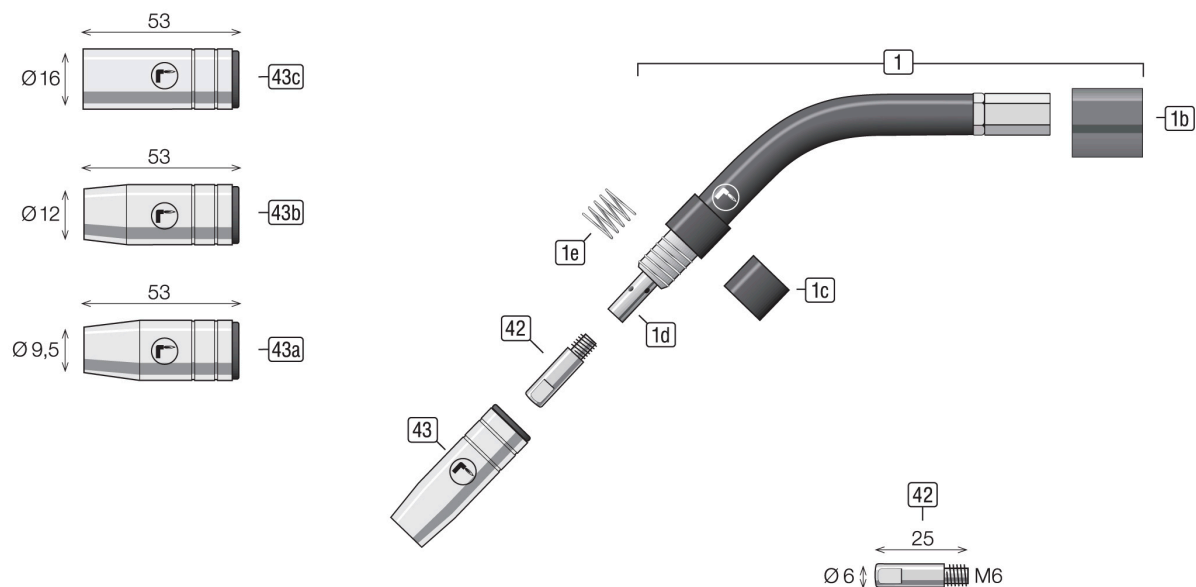




# Data Sheet

## Torch M 150 EP



00.DBL-MBH150

04-2018

### Components

#	Item description	Part no
1	Torch Body MEP-150 air cooled	MBH150
1b	Plastic body for MIG/MAG torch air cooled	MBH-ZK
1c	Head insulator	MI150
1d	Tip Holder M6 L=42mm MEP-150	MDSM8L-M6X42
1e	Nozzle Spring MEP-150	MHF150

### Wearing parts

#	Item description	Part no
42	Contact Tip E-Cu M6 L=25mm Ø0,6mm MEP-150	MSDECUM6X25-06
	Contact Tip E-Cu M6 L=25mm Ø0,8mm MEP-150	MSDECUM6X25-08
	Contact Tip E-Cu M6 L=25mm Ø1,0mm MEP-150	MSDECUM6X25-10
	Contact Tip E-Cu M6 L=25mm Ø0,8mm Alu MEP-150	MSDECUM6X25-08A
	Contact Tip E-Cu M6 L=25mm Ø1,0mm Alu MEP-150	MSDECUM6X25-10A
	Contact Tip E-Cu Ni M6 L=25mm Ø0,8mm MEP-150	MSDECNM6X25-08
	Contact Tip E-Cu Ni M6 L=25mm Ø1,0mm MEP-150	MSDECNM6X25-10
	Contact Tip CuCrZr M6 L=25mm Ø0,8mm MEP-150	MSDCCZM6X25-08
	Contact Tip CuCrZr M6 L=25mm Ø1,0mm MEP-150	MSDCCZM6X25-10
43a	Gas Nozzle Ø9,5 L=53mm strong conical MEP-150	MGDK150-095
43b	Gas Nozzle Ø12,0 L=53mm conical MEP-150	MGDK150-120
43c	Gas Nozzle Ø16,0 L=53mm cylindrical MEP-150	MGDZ150-160
	Spot Nozzle Ø16,0 L=60mm MEP-150	MGDP150-160