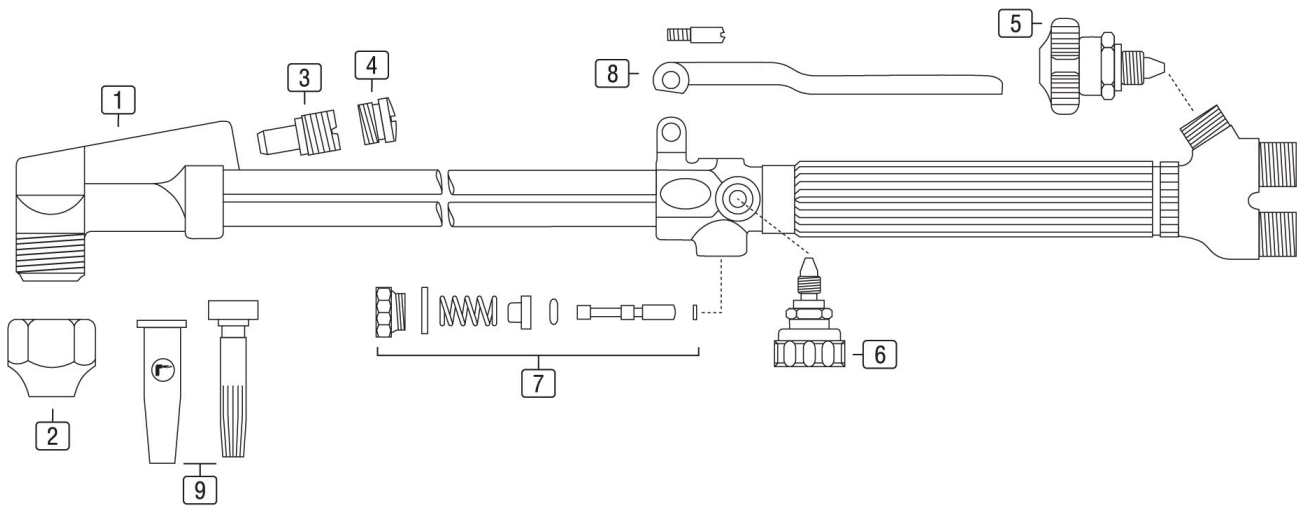


# Data Sheet

## Cutting Torch R42



00.DBL-S.KP0042

01/2019

## Cutting Torch R42

### Wearing parts

#	Item description	Part no
1	Cutting Torch head R42 75°	S.KP01.42-075
	Cutting Torch head R42 90°	S.KP01.42-090
	Cutting Torch head R42 180°	S.KP01.42-180
2	Nozzle nut R42/R62 L=25mm	S.KP02.00-01
3	Injection Seat for R42 Propan	S.KP02.42-01
	Injector Seat for R42 acetylene	S.KP02.42-02
4	Locking Nut Injector R42	S.KP02.42-03
5	Valve Gas R42	S.KP05.42-01
6	Valve Oxigen R42	S.KP05.42-02
7	Repair Parts Kit Valve R42	S.KP05.42-03
8	Repair Parts Kit R42	S.KP05.42-04
9	Cutting Nozzle AC00 Acetylene Cutting Range 2-10mm	95112400AC
	Cutting Nozzle AC0 Acetylene Cutting Range 10-15mm	9511240AC
	Cutting Nozzle AC1 Acetylene Cutting Range 15-25mm	9511241AC
	Cutting Nozzle AC2 Acetylene Cutting Range 25-50mm	9511242AC
	Cutting Nozzle AC3 Acetylene Cutting Range 50-100mm	9511243AC
	Cutting Nozzle AC4 Acetylene Cutting Range 100-175mm	9511244AC
	Cutting Nozzle AC5 Acetylene Cutting Range 175-250mm	9511245AC
	Cutting Nozzle NX00 Propane Cutting Range 5-10mm	95112500NX
	Cutting Nozzle NX0 Propane Cutting Range 10-15mm	9511250NX
	Cutting Nozzle NX1 Propane Cutting Range 15-25mm	9511251NX
	Cutting Nozzle NX2 Propane Cutting Range 25-50mm	9511252NX
	Cutting Nozzle NX3 Propane Cutting Range 50-70mm	9511253NX
	Cutting Nozzle NX4 Propane Cutting Range 75-150mm	9511254NX
	Cutting Nozzle NX5 Propane Cutting Range 150-200mm	9511255NX
	Cutting Nozzle NX6 Propane Cutting Range 200-300mm	9511256NX

### Components

#	Item description	Part no
	Cutting Torch R42 L=450mm 90° Propane Oxygen	S.KP00.42-0450-090P
	Cutting Torch R42 L=450mm 90° Acetylene Oxygen	S.KP00.42-0450-090A
	Cutting Torch R42 L=1000mm 75° Propane Oxygen	S.KP00.42-1000-075P
	Cutting Torch R42 L=1000mm 75° Acetylen Oxygen	S.KP00.42-1000-075A
	Cutting Torch R42 L=1500mm 75° Propane Oxygen	S.KP00.42-1500-075P
	Cutting Torch R42 L=1500mm 75° Acetylen Oxygen	S.KP00.42-1500-075A

**Other cutting torches in different lengths and special models possibel.**