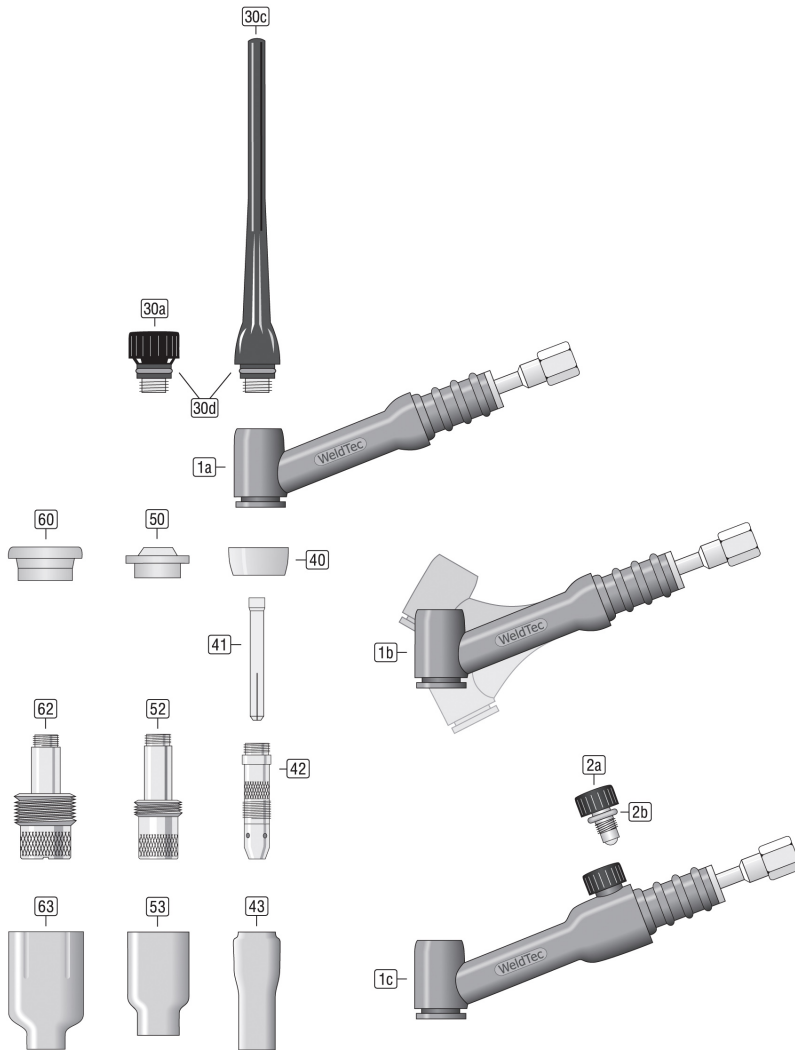


Daten blad

WT17 WT17F WT17V

WeldTec



00.DBL-85601170-1172

01/2022

TIG Toortsen WT17/ WT17F/ WT17V**Verslijtonderdelen**

| Positie | Artikelbeschrijving | Bestelnummer |
|---------|--|---------------|
| 30a | Toortskap kort [57Y04] WT-17/18/26 SW-450 | 85757040-W |
| 30c | Toortskap lang [57Y02] WT-17/18/26 SW-450 | 85757020-W |
| 30d | O-Ring [98W18] WT-17/18/26 | 85509-98W18-W |
| 40 | Isolator Standaard [18CG] WT-17/18/26 WT-28/29 | 85504181-W |
| 41 | Spantang Ø0,5mm L=50mm [10N21] WT-17/18/26 WT-28/29 | 85110210-W |
| | Spantang Ø1,0mm L=50mm [10N22] WT-17/18/26 WT-28/29 | 85110220-W |
| | Spantang Ø1,6mm L=50mm [10N23] WT-17/18/26 WT-28/29 | 85110230-W |
| | Spantang Ø2,4mm L=50mm [10N24] WT-17/18/26 WT-28/29 | 85110240-W |
| | Spantang Ø3,2mm L=50mm [10N25] WT-17/18/26 WT-28/29 | 85110250-W |
| | Spantang Ø4,0mm L=50mm [54N20] WT-17/18/26 WT-28/29 | 85114200-W |
| 42 | Spantanghouder Ø0,5mm [10N29] WT-17/18/26 WT-28/29 | 85120290-W |
| | Spantanghouder Ø1,0mm [10N30] WT-17/18/26 WT-28/29 | 85120300-W |
| | Spantanghouder Ø1,6mm [10N31] WT-17/18/26 WT-28/29 | 85120310-W |
| | Spantanghouder Ø2,4mm [10N32] WT-17/18/26 WT-28/29 | 85120320-W |
| | Spantanghouder Ø3,2mm [10N28] WT-17/18/26 WT-28/29 | 85120280-W |
| | Spantanghouder Ø4,0mm [406488] WT-17/18/26 WT-28/29 | 85124880-W |
| 43 | Gasmondstuk #4 iØ6,4mm L=47mm [10N50] WT-17/18/26 WT-28/29 | 85210500-W |
| | Gasmondstuk #5 iØ8,0mm L=47mm [10N49] WT-17/18/26 WT-28/29 | 85210490-W |
| | Gasmondstuk #6 iØ9,6mm L=47mm [10N48] WT-17/18/26 WT-28/29 | 85210480-W |
| | Gasmondstuk #7 iØ11,2mm L=47mm [10N47] WT-17/18/26 WT-28/29 | 85210470-W |
| | Gasmondstuk #8 iØ12,8mm L=47mm [10N46] WT-17/18/26 WT-28/29 | 85210460-W |
| | Gasmondstuk #10 iØ16mm L=47mm [10N45] WT-17/18/26 WT-28/29 | 85210450-W |
| | Gasmondstuk #12 iØ19,2mm L=47mm [10N44] WT-17/18/26 WT-28/29 | 85210440-W |
| 50 | Isolator Adapter [54N01] WT-17/18/26 WT-28/29 | 85504010-W |
| 52 | Gaslens Ø1,0mm [45V24] WT-17/18/26 SW-418 WT-28/29 | 85134524-W |
| | Gaslens Ø1,6mm [45V25] WT-17/18/26 SW-418 WT-28/29 | 85134525-W |
| | Gaslens Ø2,4mm [45V26] WT-17/18/26 SW-418 WT-28/29 | 85134526-W |
| | Gaslens Ø3,2mm [45V27] WT-17/18/26 SW-418 WT-28/29 | 85134527-W |
| | Gaslens Ø4,0mm [45V28] WT-17/18/26 SW-418 WT-28/29 | 85134528-W |
| 53 | Gasmondstuk #4 iØ6,4mm L=42mm [54N18] WT-17/18/26 SW-450 WT-28/29 | 85254180-W |
| | Gasmondstuk #5 iØ6,4mm L=42mm [54N17] WT-17/18/26 SW-450 WT-28/29 | 85254170-W |
| | Gasmondstuk #6 iØ9,6mm L=42mm [54N16] WT-17/18/26 SW-450 WT-28/29 | 85254160-W |
| | Gasmondstuk #8 iØ12,8mm L=42mm [54N14] WT-17/18/26 SW-450 WT-28/29 | 85254140-W |
| 60 | Isolator Gaslens Jumbo [54N63] WT-17/18/26 WT-28/29 | 85504630-W |
| 62 | Gaslens Ø0,5-1,0mm Jumbo [45V0204] WT-17/18/26 SW-418 WT-28/29 | 85134502-W |
| | Gaslens Ø1,6mm Jumbo [45V116] WT-17/18/26 SW-418 WT-28/29 | 85134516-W |
| | Gaslens Ø2,4mm Jumbo [45V64] WT-17/18/26 WT-28/29 | 85134564-W |
| | Gaslens Ø3,2mm Jumbo [995795] WT-17/18/26 WT-28/29 | 85135795-W |
| | Gaslens Ø4,0mm Jumbo [45V63] WT-17/18/26 WT-28/29 | 85134563-W |
| 63 | Gasmondstuk #6 iØ9,6mm L=48mm [57N75] ceramisch, roze | 85257750-W |
| | Gasmondstuk #8 iØ12,8mm L=48mm [57N74] ceramisch, roze | 85257740-W |
| | Gasmondstuk #10 iØ16,0mm L=48mm [53N88] WT Jumbo | 85253880-W |
| | Gasmondstuk #12 iØ19,2mm L=48mm [53N87] WT Jumbo | 85253870-W |

Onderdelen

| Positie | Artikelbeschrijving | Bestelnummer |
|---------|---|--------------|
| 1a | Toorts lichaam WT-17 luchtkoeling | 85601170 |
| 1b | Toorts lichaam WT-17F luchtkoeling | 85601172 |
| 1c | Toorts lichaam WT-17V luchtkoeling | 8560117V |
| 2a | VS-2 Draaiventil voor 9/17er | 85511002 |
| 2b | O-Ring rood [98W77] voor Toorts kap 41V24/33/35 | 8550904520R |

Reproductie en verspreiding van deze publicatie in welke vorm dan ook - zelfs in gedeelten - is zonder voorafgaande toestemming verboden.