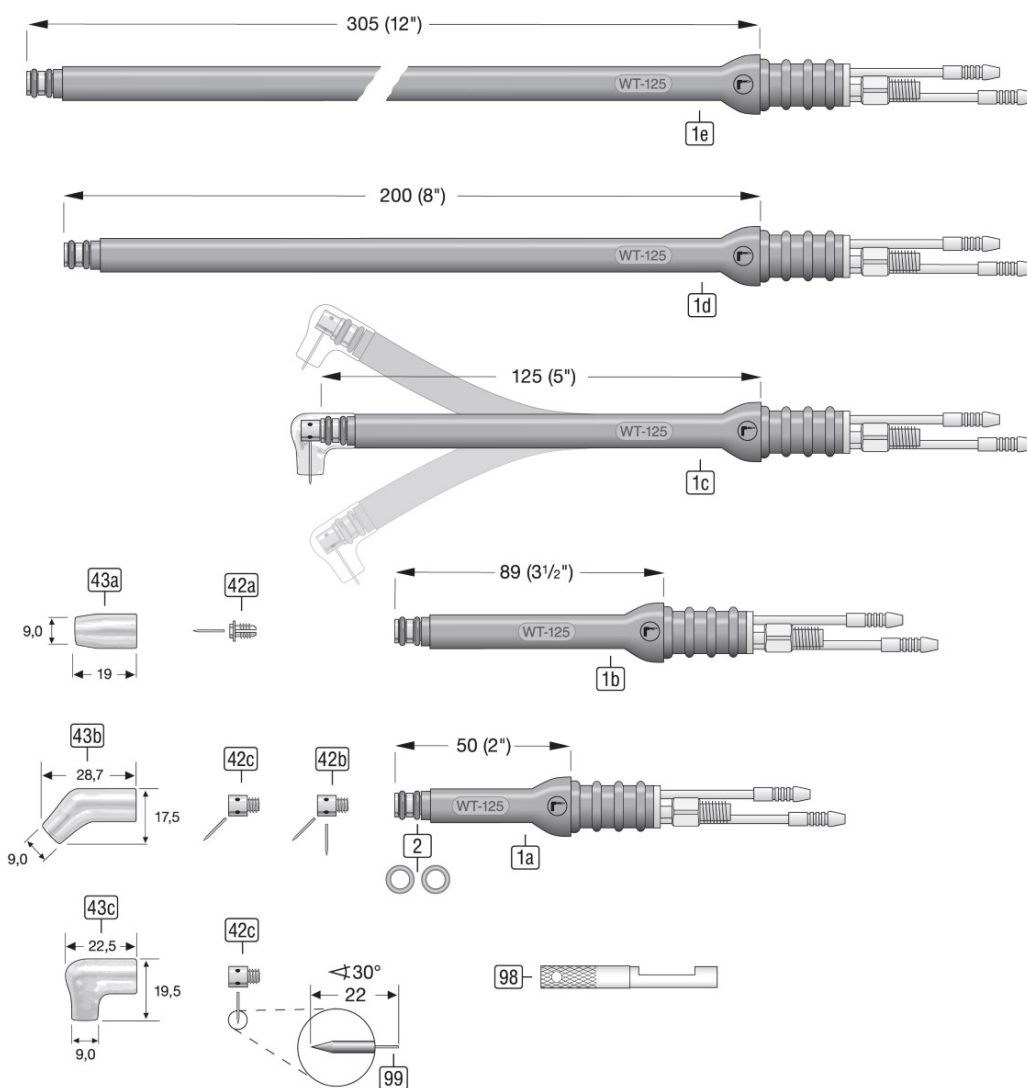




Daten blad

WT125S/ WT125/ WT125F/ WT125M/ WT125L

WeldTec



00.DBL-8560122S-122L

01/2022

TIG Toortsen WT125S,WT125,WT125F,WT125M,WT125L**Verslijtonderdelen**

Positie	Artikelbeschrijving	Bestelnummer
42a	Spanmoer Ø0,5mm 0° [125C20] WT-60/125	8512125C020
	Spanmoer Ø1,0mm 0° [125C40] WT-60/125	8512125C040
	Spanmoer Ø1,6mm 0° [125C116] WT-60/125	8512125C116
	Spanmoer Ø2,4mm 0° [125C332] WT-60/125	8512125C332
42b	Spanmoer Ø1,0mm 45/90° [125C40C] WT-60/125	8512125C040C
	Spanmoer Ø1,6mm 45/90° [125C116C] WT-60/125	8512125C116C
42c	Spanmoer Ø2,4mm 45° [125C332-45] WT-60/125	8512125C332-45
	Spanmoer Ø2,4mm 90° [125C332-90] WT-60/125	8512125C332-90
43a	Quarz Nozzle 0° [125N180Q] WT-60/125	85912N180Q
43b	Quarz Nozzle 45° [125N45Q] WT-60/125	85912N45Q
43c	Quarz Nozzle 90° [125N90Q] WT-60/125	85912N90Q
98	Spansleutel [53N20] WT-24/60/125	85521002
99	Wolfraamelektrode Ø1,6mm L=22mm WC20 grijs 2% Ceroxid geslepen	85831600-022S

Onderdelen

Positie	Artikelbeschrijving	Bestelnummer
1a	Toorts lichaam WT-125S vloeistofkoeling	8560112S
1b	Toorts lichaam WT-125 vloeistofkoeling	8560112S
1c	Toorts lichaam WT-125F vloeistofkoeling	85601122
1d	Toorts lichaam WT-125M vloeistofkoeling	8560112M
1e	Toorts lichaam WT-125L vloeistofkoeling	8560112L
2	O-Ring [98W77] WT-9/20/60/125	85509-98W77-W