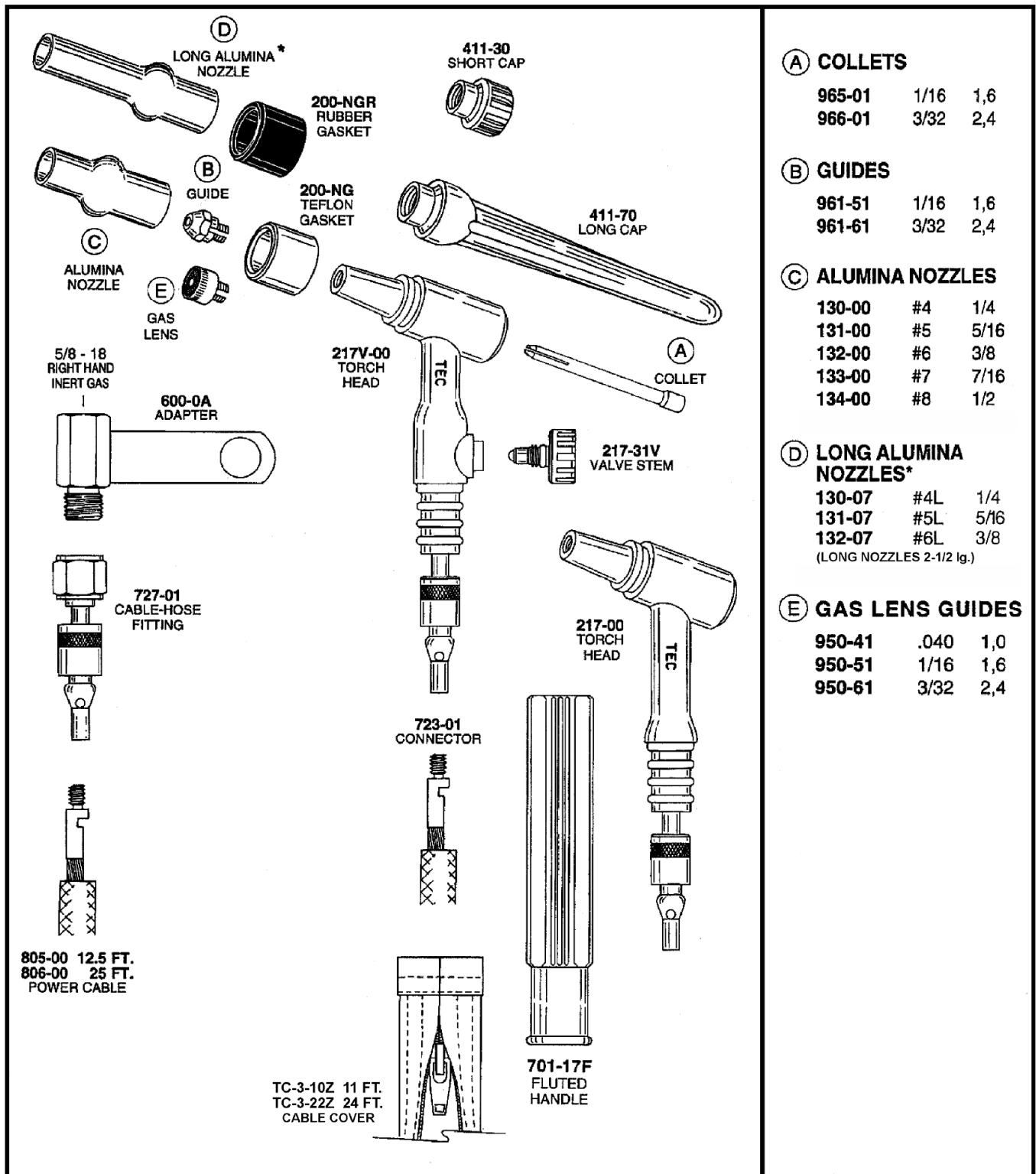



MODELS 217, 217V

(A) COLLETS

965-01	1/16	1,6
966-01	3/32	2,4

(B) GUIDES

961-51	1/16	1,6
961-61	3/32	2,4

(C) ALUMINA NOZZLES

130-00	#4	1/4
131-00	#5	5/16
132-00	#6	3/8
133-00	#7	7/16
134-00	#8	1/2

(D) LONG ALUMINA NOZZLES*

130-07	#4L	1/4
131-07	#5L	5/16
132-07	#6L	3/8

(LONG NOZZLES 2-1/2 lg.)

(E) GAS LENS GUIDES

950-41	.040	1,0
950-51	1/16	1,6
950-61	3/32	2,4

TEC WELDING PRODUCTS, INC.

P.O. Box 1870 San Marcos, CA 92079

(760) 747-3700

*Requires 200-NGR Gasket