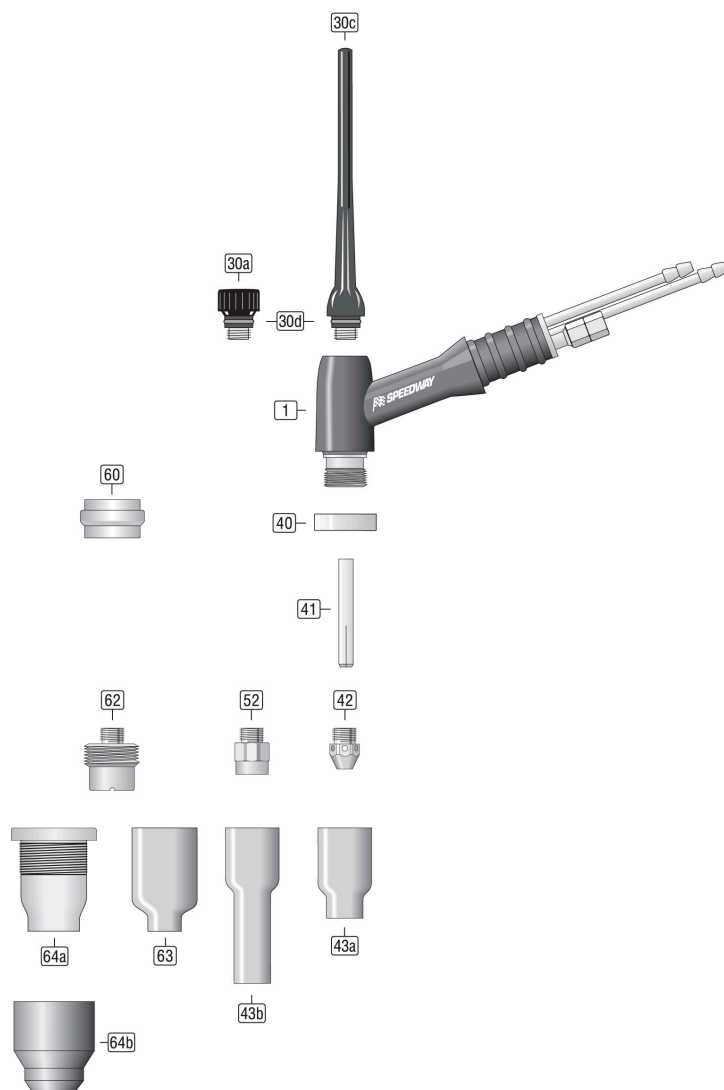




Scheda tecnica

SW450



00.DBL-85601450-0450

01/2022

TIG Torce SW450

Attrezzatura

Pos.	Descrizione articolo	N. d'ordinazione
30a	Tappo corto [57Y04] WT-17/18/26 SW-450	85757040-W
30c	Tappo lungo [57Y02] WT-17/18/26 SW-450	85757020-W
30d	Guarnizione circolare [98W18] WT-17/18/26	85509-98W18-W
40	Isolatore Standard [18NG] SW-450	85504186-W
41	Pinze Ø1,0mm L=49mm [10N22HD] SW-450	85110220HD-W
	Pinze Ø1,6mm L=49mm [10N23HD] SW-450	85110230HD-W
	Pinze Ø2,4mm L=49mm [10N24HD] SW-450	85110240HD-W
	Pinze Ø3,2mm L=49mm [10N25HD] SW-450	85110250HD-W
	Pinze Ø4,0mm L=49mm [54N20HD] SW-450	85114200HD-W
	Pinze Ø4,8mm L=49mm [18C36] SW-450	85118360HD-W
42	Porta pinze Ø1,6-4,8mm [NCB-36D] SW-450	85120360-W
43a	Ugelli #5 iØ6,4mm L=42mm [54N17] WT-17/18/26 SW-450 WT-28/29	85254170-W
	Ugelli #6 iØ9,6mm L=42mm [54N16] WT-17/18/26 SW-450 WT-28/29	85254160-W
	Ugelli #8 iØ12,8mm L=42mm [54N14] WT-17/18/26 SW-450 WT-28/29	85254140-W
43b	Ugelli #8 iØ12,8mm L=76mm [54N14L] WT-17/18/26 SW-450 WT-28/29	85254140L-W
52	Diffusore a gas Ø1,0mm [18GL04] SW-450	85131804-W
	Diffusore a gas Ø1,6mm [18GL16] SW-450	85131816-W
	Diffusore a gas Ø2,4mm [18GL32] SW-450	85131832-W
	Diffusore a gas Ø3,2mm [18GL18] SW-450	85131818-W
	Diffusore a gas Ø4,0mm [18GL53] SW-450	85131853-W
	Diffusore a gas Ø4,8mm [18GL36] SW-450	85131836-W
60	Isolatore Jumbo [18NG-GL] SW-450	85504187-W
62	Diffusore a gas Ø1,0mm Jumbo [45V94] SW-450	85134594-W
	Diffusore a gas Ø1,6mm Jumbo [45V95] SW-450	85134595-W
	Diffusore a gas Ø2,4mm Jumbo [45V96] SW-450	85134596-W
	Diffusore a gas Ø3,2mm Jumbo [45V97] SW-450	85134597-W
	Diffusore a gas Ø4,0mm Jumbo [45V98] SW-450	85134598-W
	Diffusore a gas Ø4,8mm Jumbo [45V99] SW-450	85134599-W
63	Ugelli #6 iØ9,6mm L=48mm [57N75] ceramici, rosa	85257750-W
	Ugelli #8 iØ12,8mm L=48mm [57N74] ceramici, rosa	85257740-W
	Ugelli #10 iØ16,0mm L=48mm [53N88] WT Jumbo	85253880-W
	Ugelli #12 iØ19,2mm L=48mm [53N87] WT Jumbo	85253870-W
64a	Adattatore Ceramica [57N76] WT Jumbo	85257760-W
64b	Ugello di rame #10 [57N78] iØ16,0mm L=47mm	85957780-W
	Ugello di rame #12 [57N77] iØ19,2mm L=47mm	85957770-W

I pezzi di ricambio

Pos.	Descrizione articolo	N. d'ordinazione
1	Corpo della torcia SW-450 raffreddata ad acqua	85601450