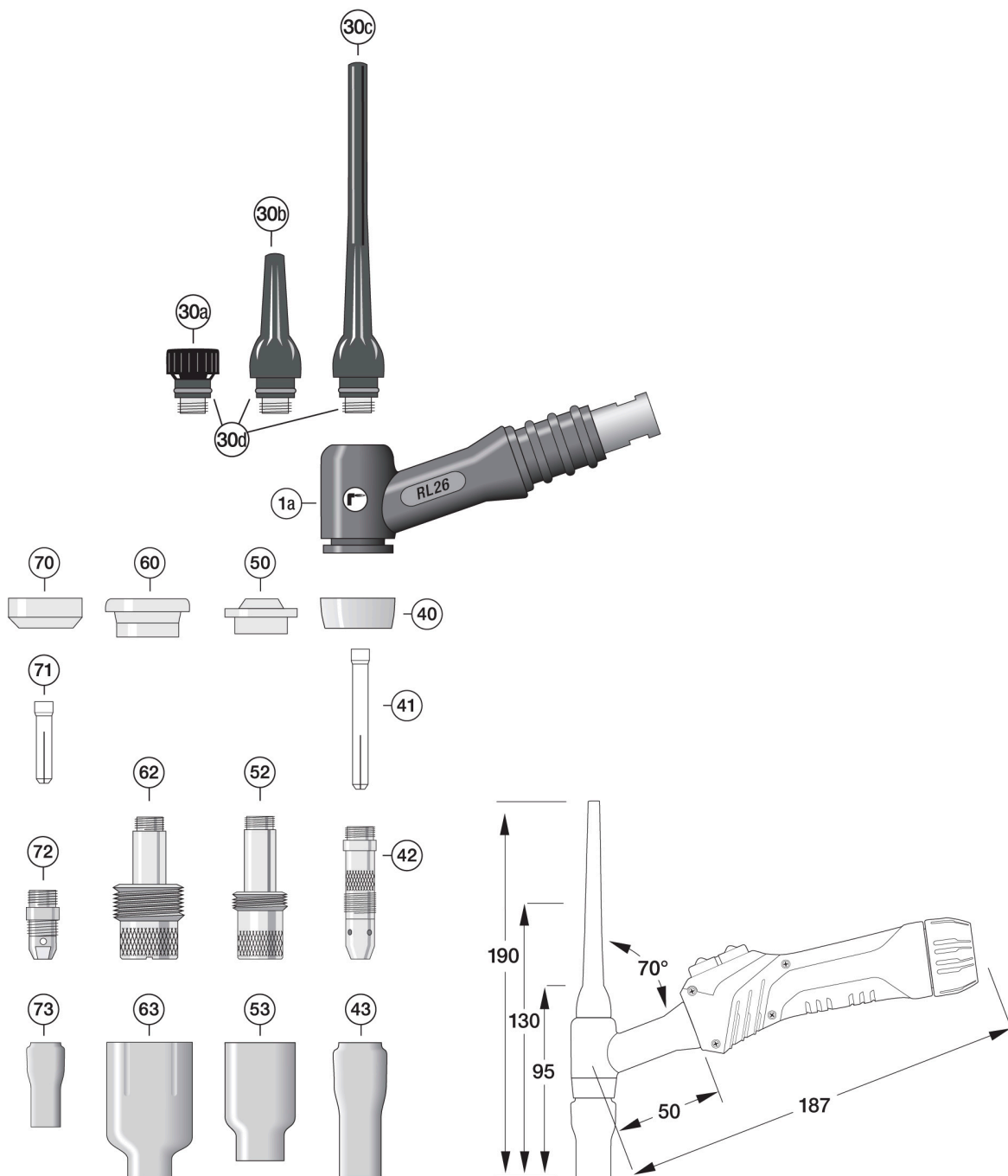




Daten blad

RL26



00.DBL-8560R260-R262

02-2022

TIG toortsen RL26

Verslijtonderdelen

Positie	Artikelbeschrijving	Bestelnummer
30a	Toortskap kort [57Y04] SR-17/18/18SC/26	85757040
30b	Toortskap middel [57Y03] SR-17/18/18SC/26	85757030
30c	Toortskap lang [57Y02] SR-17/18/18SC/26	85757020
30d	O-Ring rood [98W18]	8550908017R
40	Isolator Standaard [18CG] SR-17/18/26	85504181
41	Spantang Ø0,5mm L=50mm [10N21] SR-17/18/26	85110210
	Spantang Ø1,0mm L=50mm [10N22] SR-17/18/26	85110220
	Spantang Ø1,6mm L=50mm [10N23] SR-17/18/26	85110230
	Spantang Ø2,4mm L=50mm [10N24] SR-17/18/26	85110240
	Spantang Ø3,2mm L=50mm [10N25] SR-17/18/26	85110250
	Spantang Ø4,0mm L=50mm [54N20] SR-17/18/26	85114200
42	Spantang houder Ø0,5mm [10N29] SR-17/18/26	85120290
	Spantang houder Ø1,0mm [10N30] SR-17/18/26	85120300
	Spantang houder Ø1,6mm [10N31] SR-17/18/26	85120310
	Spantang houder Ø2,4mm [10N32] SR-17/18/26	85120320
	Spantang houder Ø3,2mm [10N28] SR-17/18/26	85120280
	Spantang houder Ø4,0mm [406488] SR-17/18/26	85124880
43	Gasmondstuk #4 iØ6,4mm L=47mm [10N50] ceramisch, roze	85210500
	Gasmondstuk #5 iØ8,0mm L=47mm [10N49] ceramisch, roze	85210490
	Gasmondstuk #6 iØ9,6mm L=47mm [10N48] ceramisch, roze	85210480
	Gasmondstuk #7 iØ11,2mm L=47mm [10N47] ceramisch, roze	85210470
	Gasmondstuk #8 iØ12,8mm L=47mm [10N46] ceramisch roze	85210460
	Gasmondstuk #10 iØ16mm L=47mm [10N45] ceramisch roze	85210450
	Gasmondstuk #12 iØ19,2mm L=47mm [10N44] ceramisch, roze	85210440
50	Isolator [54N01] SR-17/18/26	85504010
52	Gaslens Ø1,0mm [45V24] SR-17/18/26	85134524
	Gaslens Ø1,6mm [45V25] SR-17/18/26	85134525
	Gaslens Ø2,4mm [45V26] SR-17/18/26	85134526
	Gaslens Ø3,2mm [45V27] SR-17/18/26	85134527
	Gaslens Ø4,0mm [45V28] SR-17/18/26	85134528
53	Gasmondstuk #4 iØ6,4mm L=42mm [54N18] ceramisch, roze	85254180
	Gasmondstuk #5 iØ8,0mm L=42mm [54N17] ceramisch, roze	85254170
	Gasmondstuk #6 iØ9,6mm L=42mm [54N16] ceramisch, roze	85254160
	Gasmondstuk #7 iØ11,2mm L=42mm [54N15] ceramisch, roze	85254150
	Gasmondstuk #8 iØ12,8mm L=42mm [54N14] ceramisch, roze	85254140
	Gasmondstuk #10 iØ16,0mm L=42mm [54N12] ceramisch, roze	85254120
	Gasmondstuk #12 iØ19,2mm L=42mm [54N10] ceramisch, roze	85254100
60	Isolator Gaslens Jumbo [54N63] SR-17/18/26	85504630
62	Gaslens Ø1,0mm Jumbo [45V0204] SR-17/18/26	85134502
	Gaslens Ø1,6mm Jumbo [45V116] SR-17/18/26	85134516
	Gaslens Ø2,4mm Jumbo [45V64] SR-17/18/26	85134564
	Gaslens Ø3,2mm Jumbo [995795] SR-17/18/26	85135795
	Gaslens Ø4,0mm Jumbo [45V63] SR-17/18/26	85134563
63	Gasmondstuk #6 iØ9,6mm L=48mm [57N75] ceramisch, roze	85257750
	Gasmondstuk #8 iØ12,8mm L=48mm [57N74] ceramisch, roze	85257740
	Gasmondstuk #10 iØ16,0mm L=48mm [53N88] ceramisch, roze	85253880
	Gasmondstuk #12 iØ19,2mm L=48mm [53N87] ceramisch, roze	85253870
	Gasmondstuk #15 iØ24,0mm L=48mm [53N89] ceramisch, roze	85253890
70	Isolator [18CG20] SR-17/18/26	85504182
71	Spantang Ø1,0mm L=29,5mm [10N22S] SR-17/18/26	85110221
	Spantang Ø1,6mm L=29,5mm [10N23S] SR-17/18/26	85110231
	Spantang Ø2,4mm L=29,5mm [10N24S] SR-17/18/26	85110241
	Spantang Ø3,2mm L=29,5mm [10N25S] SR-17/18/26	85110251
72	Spantang houder Ø1,6-3,2mm [17CB20] SR-17/18/26	85122000
73	Gasmondstuk #4 Ø6,4mm L=29mm	85213080
	Gasmondstuk #5 Ø8,0mm L=29mm	85213090
	Gasmondstuk #6 Ø9,6mm L=29mm	85213100
	Gasmondstuk #7 Ø11,2mm L=29mm	85213110
	Gasmondstuk #8 Ø12,8mm L=29mm	85213120
	Gasmondstuk #10 Ø16,0mm L=29mm	85213130

Reproductie en verspreiding van deze publicatie in welke vorm dan ook - zelfs in gedeelten - is zonder voorafgaande toestemming verboden.

© Rohrman Schweißtechnik GmbH - Viersen - Germany - www.rohrman.de - info@rohrman.de

Onderdelen

Positie	Artikelbeschrijving	Bestelnummer
1a	Toortslucham RL26 luchtkoeling	8560R260