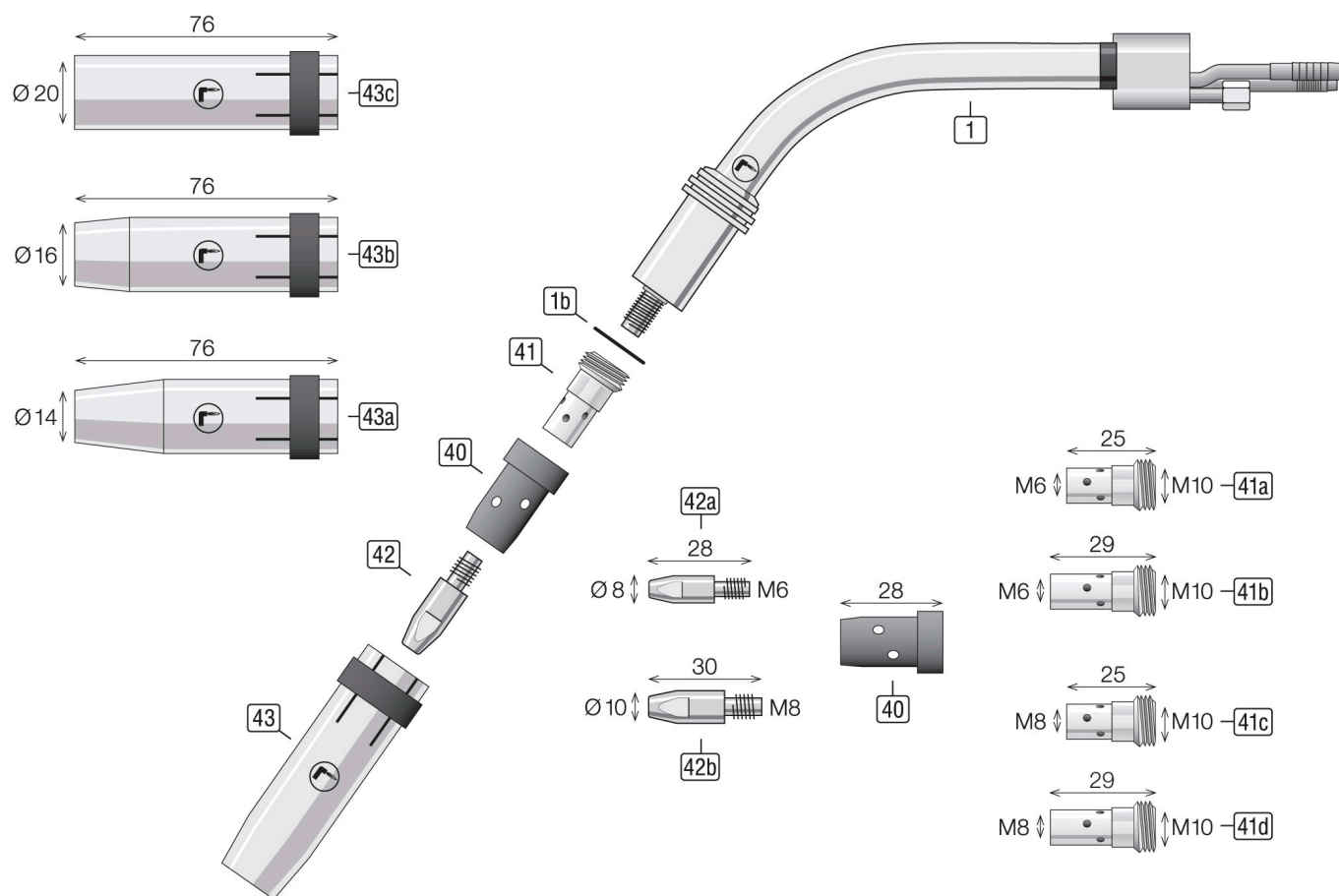




Daten blad

Lastoorts M 401 EP



00.DBL-MBH401

neu

Onderdelen

Positie	Artikelbeschrijving	Bestelnummer
1	Branderkop M 401 vloeistofkoeling	MBH401
1b	Isoleerring 20x9,5x1 MEP-350/401/501	MIS

Verslijtonderdelen

Positie	Artikelbeschrijving	Bestelnummer
40	Gasverdelers wit MEP-350/401/501/551	MGV401W
	Gasverdelers ceramiek MEP-350/401/501/551	MGV401K
41a	Tip houder M6 L=25mm MEP-350/401/501	MSDM10-M6X25
41b	Tip houder M6 L=29mm MEP-350/401/501	MSDM10-M6X29
41c	Tip houder M8 L=25mm Standaard MEP-350/401/501/550SC	MSDM10-M8X25
41d	Tip houder M8 L=29mm MEP-350/401/501/550SC	MSDM10-M8X29
42	Contact tip E-Cu M6 L=28mm Ø0,8mm MEP-240/241/250/260/351	MSDECUM6X28-08
	Contact tip E-Cu M6 L=28mm Ø1,0mm MEP-240/241/250/260/351	MSDECUM6X28-10
	Contact tip E-Cu M6 L=28mm Ø1,2mm MEP-240/241/250/260/351	MSDECUM6X28-12
	Contact tip E-Cu M6 L=28mm Ø0,8mm Alu MEP-240/241/250/260/351	MSDECUM6X28-08A
	Contact tip E-Cu M6 L=28mm Ø1,0mm Alu MEP-240/241/250/260/351	MSDECUM6X28-10A
	Contact tip E-Cu M6 L=28mm Ø1,2mm Alu MEP-240/241/250/260/351	MSDECUM6X28-12A
	Contact tip E-Cu Ni M6 L=28mm Ø0,8mm MEP-240/241/250/260/351	MSDECNM6X28-08
	Contact tip E-Cu Ni M6 L=28mm Ø1,0mm MEP-240/241/250/260/351	MSDECNM6X28-10
	Contact tip E-Cu Ni M6 L=28mm Ø1,2mm MEP-240/241/250/260/351	MSDECNM6X28-12
	Contact tip CuCrZr M6 L=28mm Ø0,8mm MEP-240/241/250/260/351	MSDCCZM6X28-08
	Contact tip CuCrZr M6 L=28mm Ø0,9mm MEP-240/241/250/260/351	MSDCCZM6X28-09
	Contact tip CuCrZr M6 L=28mm Ø1,0mm MEP-240/241/250/260/351	MSDCCZM6X28-10
	Contact tip CuCrZr M6 L=28mm Ø1,2mm MEP-240/241/250/260/351	MSDCCZM6X28-12
42b	Contact tip E-Cu M8 L=30mm Ø0,8mm MEP-350/360/401/501/551	MSDECUM8X30-08
	Contact tip E-Cu M8 L=30mm Ø1,0mm MEP-350/360/401/501/551	MSDECUM8X30-10
	Contact tip E-Cu M8 L=30mm Ø1,2mm MEP-350/360/401/501/551	MSDECUM8X30-12
	Contact tip E-Cu M8 L=30mm Ø1,4mm MEP-350/360/401/501/551	MSDECUM8X30-14
	Contact tip E-Cu M8 L=30mm Ø1,6mm MEP-350/360/401/501/551	MSDECUM8X30-16
	Contact tip E-Cu M8 L=30mm Ø2,0mm MEP-350/360/401/501/551	MSDECUM8X30-20
	Contact tip E-Cu M8 L=30mm Ø2,4mm MEP-350/360/401/501/551	MSDECUM8X30-24
	Contact tip E-Cu M8 L=30mm Ø0,8mm Alu MEP-350/360/401/501/551	MSDECUM8X30-08A
	Contact tip E-Cu M8 L=30mm Ø1,0mm Alu MEP-350/360/401/501/551	MSDECUM8X30-10A
	Contact tip E-Cu M8 L=30mm Ø1,2mm Alu MEP-350/360/401/501/551	MSDECUM8X30-12A
	Contact tip E-Cu M8 L=30mm Ø1,6mm Alu MEP-350/360/401/501/551	MSDECUM8X30-16A
	Contact tip E-Cu Ni M8 L=30mm Ø0,8mm MEP-350/360/401/501/551	MSDECNM8X30-08
	Contact tip E-Cu Ni M8 L=30mm Ø1,0mm MEP-350/360/401/501/551	MSDECNM8X30-10
	Contact tip E-Cu Ni M8 L=30mm Ø1,2mm MEP-350/360/401/501/551	MSDECNM8X30-12
	Contact tip CuCrZr M8 L=30mm Ø0,8mm MEP-350/360/401/501/551	MSDCCZM8X30-08
	Contact tip CuCrZr M8 L=30mm Ø1,0mm MEP-350/360/401/501/551	MSDCCZM8X30-10
	Contact tip CuCrZr M8 L=30mm Ø1,2mm MEP-350/360/401/501/551	MSDCCZM8X30-12
	Contact tip CuCrZr M8 L=30mm Ø1,4mm MEP-350/360/401/501/551	MSDCCZM8X30-14
	Contact tip CuCrZr M8 L=30mm Ø1,6mm MEP-350/360/401/501/551	MSDCCZM8X30-16
	Contact tip CuCrZr M8 L=30mm Ø2,0mm MEP-350/360/401/501/551	MSDCCZM8X30-20
	Contact tip CuCrZr M8 L=30mm Ø2,4mm MEP-350/360/401/501/551	MSDCCZM8X30-24
43a	Gasmondstuk Ø14,0 L=76mm sterk conisch MEP-260/350/401/501/551	MGDK401-140
43b	Gasmondstuk Ø16,0 L=76mm conisch MEP-260/350/401/501/551	MGDK401-160
43c	Gasmondstuk Ø20,0 L=76mm cilindrisch MEP-260/350/401/501/551	MGDZ401-200
	Gasmondstuk voor puntlassen Ø20 L=85 mm	MGDP401-200