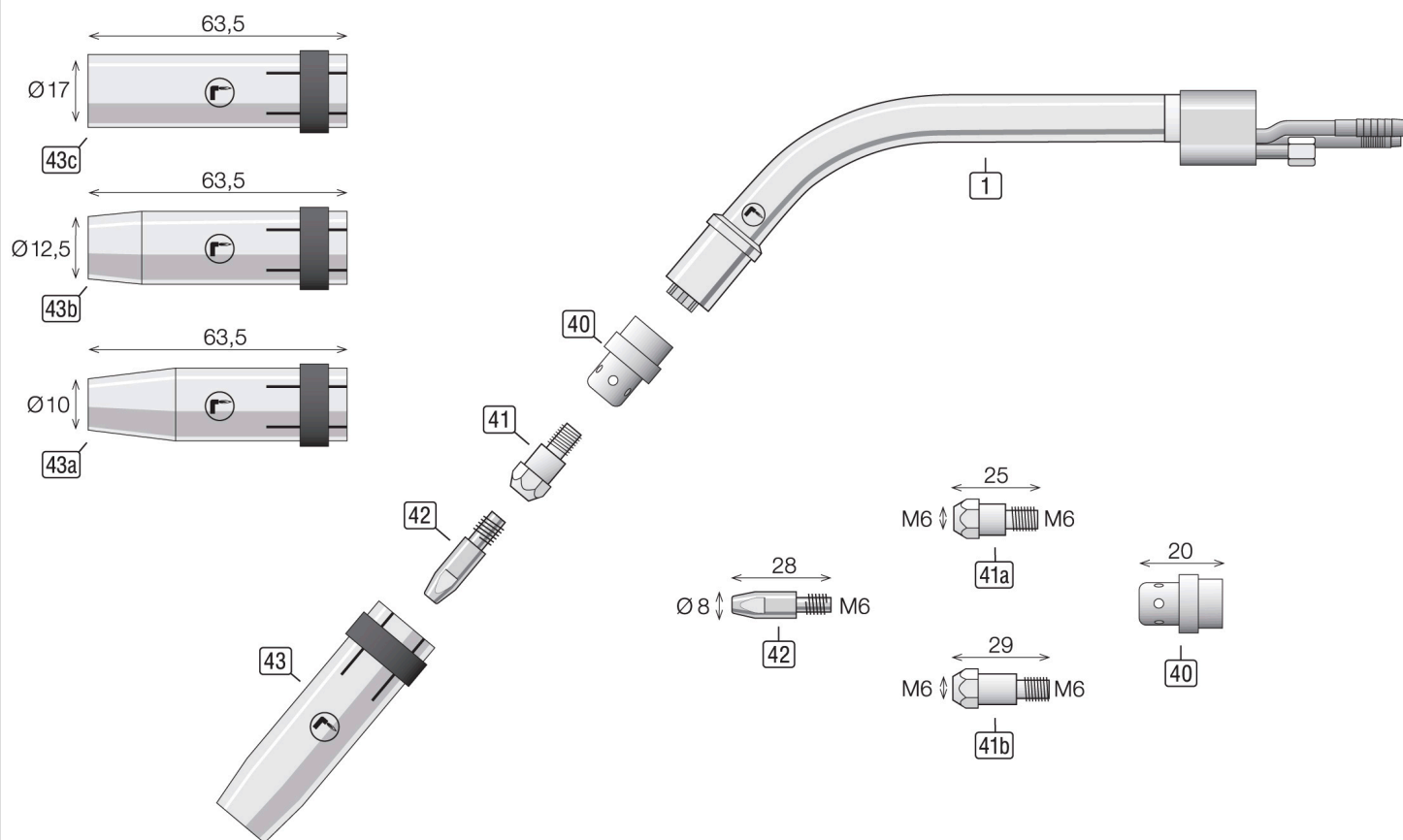




# Daten blad

## Lastoorts M 241 EP



00.DBL-MBH241

neu

## Onderdelen

Positie	Artikelbeschrijving	Bestelnummer
1	Branderkop M 241 vloeistofkoeling	MBH241

## Verslijtonderdelen

Positie	Artikelbeschrijving	Bestelnummer
40	Gasverdeler wit Standaard MEP-240/241	MGV240W
	Gasverdeler ceramiek MEP-240/241	MGV240K
41a	Tip houder M6 L=26mm Standaard MEP-240/241	MDSM6-M6X26
41b	Tip houder M6 L=28mm MEP-240/241	MDSM6-M6X28
42	Contact tip E-Cu M6 L=28mm Ø0,8mm MEP-240/241/250/260/351	MSDECUM6X28-08
	Contact tip E-Cu M6 L=28mm Ø1,0mm MEP-240/241/250/260/351	MSDECUM6X28-10
	Contact tip E-Cu M6 L=28mm Ø1,2mm MEP-240/241/250/260/351	MSDECUM6X28-12
	Contact tip E-Cu M6 L=28mm Ø0,8mm Alu MEP-240/241/250/260/351	MSDECUM6X28-08A
	Contact tip E-Cu M6 L=28mm Ø1,0mm Alu MEP-240/241/250/260/351	MSDECUM6X28-10A
	Contact tip E-Cu M6 L=28mm Ø1,2mm Alu MEP-240/241/250/260/351	MSDECUM6X28-12A
	Contact tip E-Cu Ni M6 L=28mm Ø0,8mm MEP-240/241/250/260/351	MSDECNM6X28-08
	Contact tip E-Cu Ni M6 L=28mm Ø1,0mm MEP-240/241/250/260/351	MSDECNM6X28-10
	Contact tip E-Cu Ni M6 L=28mm Ø1,2mm MEP-240/241/250/260/351	MSDECNM6X28-12
	Contact tip CuCrZr M6 L=28mm Ø0,8mm MEP-240/241/250/260/351	MSDCCZM6X28-08
	Contact tip CuCrZr M6 L=28mm Ø0,9mm MEP-240/241/250/260/351	MSDCCZM6X28-09
	Contact tip CuCrZr M6 L=28mm Ø1,0mm MEP-240/241/250/260/351	MSDCCZM6X28-10
	Contact tip CuCrZr M6 L=28mm Ø1,2mm MEP-240/241/250/260/351	MSDCCZM6X28-12
43a	Gasmondstuk Ø10,0 L=63,5mm sterk conisch MEP-240/241	MGDK240-100
43b	Gasmondstuk Ø12,5 L=63,5mm conisch MEP-240/241	MGDK240-125
43c	Gasmondstuk Ø17,0 L=63,5mm cilindrisch MEP-240/241	MGDZ240-170