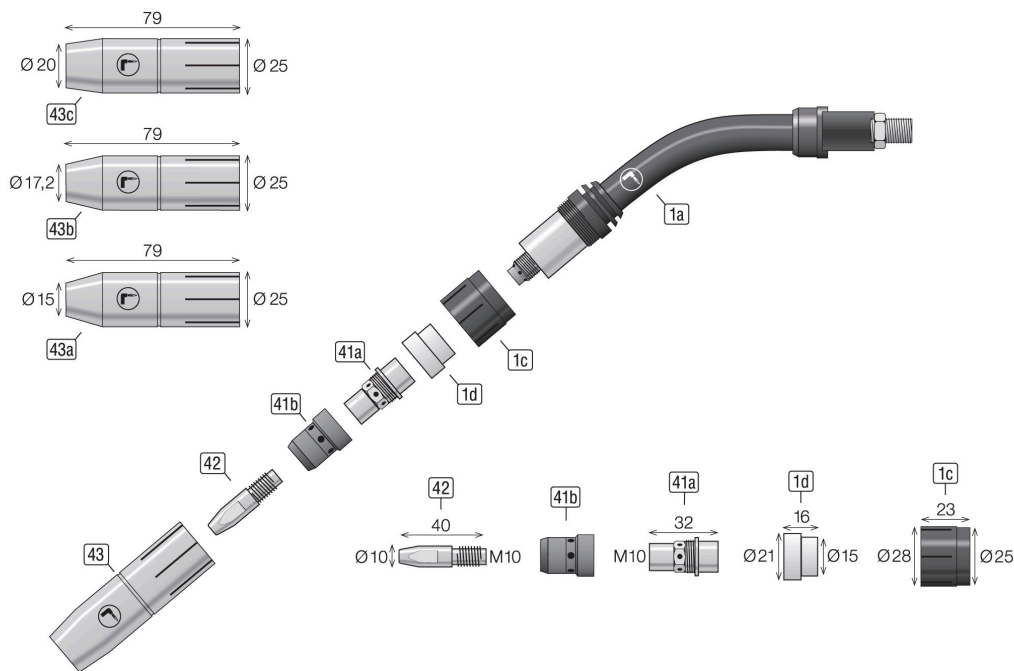




# Daten blad

## Lastoorts RM400L



00.DBL-M.F001.RM400L

06-2022

### Onderdelen

Positie	Artikelbeschrijving	Bestelnummer
1a	Toortslichaam RM400L luchtkoeling	M.F001.RM400L

### Verslijtonderdelen

Positie	Artikelbeschrijving	Bestelnummer
1c	Fixeer huls iØ25mm aØ28mm L=23mm RM400L/500W	M.F002.0221
1d	Isoleer ring iØ15mm aØ21mm L=16mm RM400L	M.F002.0121
41a	Tip houder M10 SW13 L=32mm RM400L/500W	M.F002.0321
41b	Bescherming voor las spatten iØ10,1mm aØ20,8mm L=28,5mm RM400L/500W R5T	M.F002.0401
42	Contact tip CuCrZr M10 L=40mm Ø0,8mm RM400L/500W	M.F004.0301
	Contact tip CuCrZr M10 L=40mm Ø0,9mm RM400L/500W	M.F004.0302
	Contact tip CuCrZr M10 L=40mm Ø1,0mm RM400L/500W	M.F004.0303
	Contact tip CuCrZr M10 L=40mm Ø1,2mm RM400L/500W	M.F004.0304
	Contact tip CuCrZr M10 L=40mm Ø1,4mm RM400L/500W	M.F004.0305
	Contact tip CuCrZr M10 L=40mm Ø1,6mm RM400L/500W	M.F004.0306
	Contact tip CuCrZr M10 L=40mm Ø0,9mm ZB4,1 RM400L/500W - aluminium lasdraad	M.F004.0321
	Contact tip CuCrZr M10 L=40mm Ø1,0mm ZB4,1 RM400L/500W - aluminium lasdraad	M.F004.0322
	Contact tip CuCrZr M10 L=40mm Ø1,2mm ZB4,1 RM400L/500W - aluminium lasdraad	M.F004.0324
	Contact tip CuCrZr M10 L=40mm Ø1,4mm ZB4,1 RM400L/500W - aluminium lasdraad	M.F004.0326
	Contact tip CuCrZr M10 L=40mm Ø1,6mm ZB4,8 RM400L/500W - aluminium lasdraad	M.F004.0327
43a	Gasmondstuk iØ15,0 L=79,0mm sterk conisch RM400L/500W	M.F003.0124
43b	Gasmondstuk iØ17,2 L=79,0mm conisch RM400L/500W	M.F003.0122
43c	Gasmondstuk iØ20,0mm L=79,0mm cilindrisch RM400L/500W	M.F003.0121