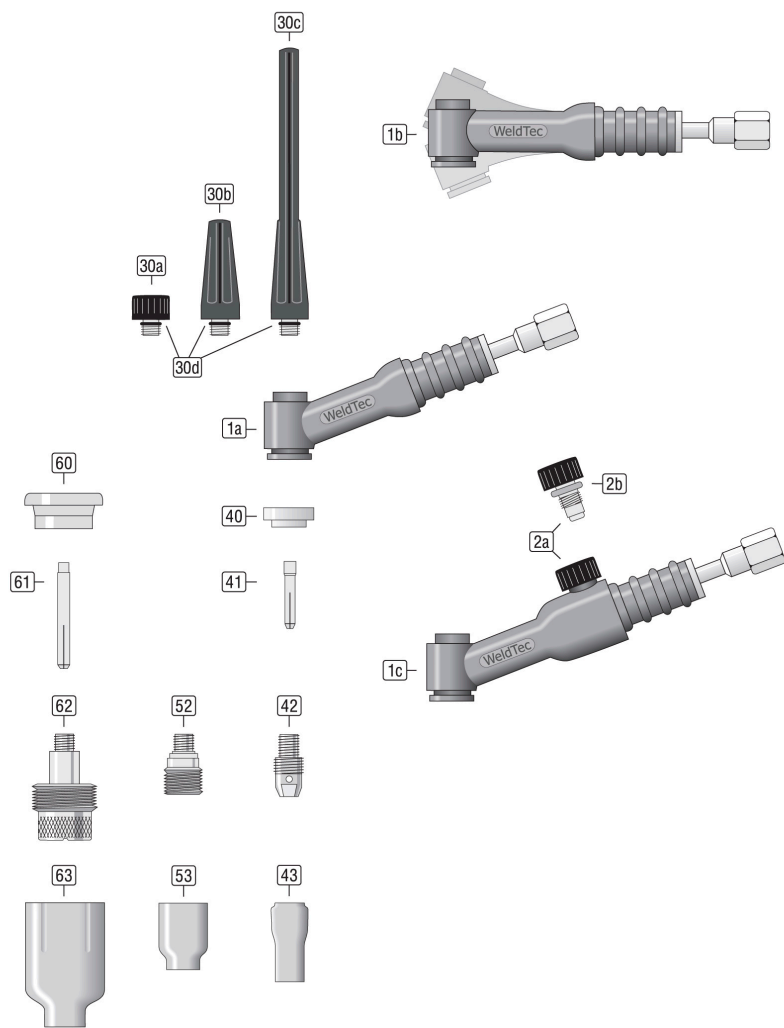




Scheda tecnica

WT9 WT9F WT9V

WeldTec



00.DBL-85601090-1092

01/2022

TIG Torce WT9/ WT9F/ WT9V**Attrezzatura**

Pos.	Descrizione articolo	N. d'ordinazione
30a	Tappo corto [41V33] WT-9/20 SW-320	85741330-W
30b	Tappo medio [41V35] WT-9/20 SW-320	85741350-W
30c	Tappo lungo [41V24] WT-9/20 SW-320	85741240-W
30d	Guarnizione circolare [98W77] WT-9/20/25/60/125	85509-98W77-W
40	Isolatore Standard [598882] WT-9/20/25 SW-320 WT-22/23	85504820-W
41	Pinze Ø0,5mm L=25mm [13N20] WT-9/20/25 SW-320 WT-22/23	85113200-W
	Pinze Ø1,0mm L=25mm [13N21] WT-9/20/25 SW-320 WT-22/23	85113210-W
	Pinze Ø1,6mm L=25mm [13N22] WT-9/20/25 SW-320 WT-22/23	85113220-W
	Pinze Ø2,4mm L=25mm [13N23] WT-9/20/25 SW-320 WT-22/23	85113230-W
	Pinze Ø3,2mm L=25mm [13N24] WT-9/20/25 SW-320 WT-22/23	85113240-W
42	Porta Pinze Ø0,5mm [13N25] WT-9/20/25 SW-320 WT-22/23	85123250-W
	Porta Pinze Ø1,0mm [13N26] WT-9/20/25 SW-320 WT-22/23	85123260-W
	Porta Pinze Ø1,6mm [13N27] WT-9/20/25 SW-320 WT-22/23	85123270-W
	Porta Pinze Ø2,4mm [13N28] WT-9/20/25 SW-320 WT-22/23	85123280-W
	Porta Pinze Ø3,2mm [13N29] WT-9/20/25 SW-320 WT-22/23	85123290-W
43	Ugelli #4 iØ6,4mm L=30mm [13N08] WT-9/20/25 SW-320 WT-22/23	85213080-W
	Ugelli #5 iØ8,0mm L=30mm [13N09] WT-9/20/25 SW-320 WT-22/23	85213090-W
	Ugelli #6 iØ9,6mm L=30mm [13N10] WT-9/20/25 SW-320 WT-22/23	85213100-W
	Ugelli #7 iØ11,2mm L=30mm [13N11] WT-9/20/25 SW-320 WT-22/23	85213110-W
	Ugelli #8 iØ12,8mm L=30mm [13N12] WT-9/20/25 SW-320 WT-22/23	85213120-W
	Ugelli #10 iØ16,0mm L=30mm [13N13] WT-9/20/25 SW-320 WT-22/23	85213130-W
52	Diffusore a gas Ø0,5mm [45V41] WT-9/20/24/25 SW-320 WT-22/23	85134541-W
	Diffusore a gas Ø1,0mm [45V42] WT-9/20/24/25 SW-320 WT-22/23	85134542-W
	Diffusore a gas Ø1,6mm [45V43] WT-9/20/24/25 SW-320 WT-22/23	85134543-W
	Diffusore a gas Ø2,4mm [45V44] WT-9/20/24/25 SW-320 WT-22/23	85134544-W
	Diffusore a gas Ø3,2mm [45V45] WT-9/20/24/25 SW-320 WT-22/23	85134545-W
53	Ugelli #4 iØ6,4mm L=25mm [53N58] WT-9/20/24/25 SW-320 WT-22/23	85253580-W
	Ugelli #5 iØ8,0mm L=25mm [53N59] WT-9/20/24/25 SW-320 WT-22/23	85253590-W
	Ugelli #6 iØ9,6mm L=25mm [53N60] WT-9/20/24/25 SW-320 WT-22/23	85253600-W
	Ugelli #7 iØ11,2mm L=25mm [53N61] WT-9/20/24/25 SW-320 WT-22/23	85253610-W
60	Isolatore Diffusore a gas Jumbo [54N63-20] WT-9/20/25 SW-320 WT-22/23	85504632-W
61	Pinze Ø1,0mm L=40mm [13N21L] WT-9/20/25 SW-320 WT-22/23	85113214-W
	Pinze Ø1,6mm L=40mm [13N22L] WT-9/20/25 SW-320 WT-22/23	85113224-W
	Pinze Ø2,4mm L=40mm [13N23L] WT-9/20/25 SW-320 WT-22/23	85113234-W
	Pinze Ø3,2mm L=40mm [13N24L] WT-9/20/25 SW-320 WT-22/23	85113244-W
62	Diffusore a gas Ø0,5-1,0mm Jumbo [45V0204S] WT-9/20/25 SW-320 WT-22/23	85136504-W
	Diffusore a gas Ø1,6mm Jumbo [45V116S] WT-9/20/25 SW-320 WT-22/23	85136516-W
	Diffusore a gas Ø2,4mm Jumbo [45V64S] WT-9/20/25 SW-320 WT-22/23	85136564-W
	Diffusore a gas Ø3,2mm Jumbo [995795S] WT-9/20/25 SW-320 WT-22/23	85136795-W
63	Ugelli #6 iØ9,6mm L=48mm [57N75] ceramici, rosa	85257750-W
	Ugelli #8 iØ12,8mm L=48mm [57N74] ceramici, rosa	85257740-W
	Ugelli #10 iØ16,0mm L=48mm [53N88] WT Jumbo	85253880-W
	Ugelli #12 iØ19,2mm L=48mm [53N87] WT Jumbo	85253870-W

I pezzi di ricambio

Pos.	Descrizione articolo	N. d'ordinazione
1a	Corpo della torcia WT-9 raffreddata ad aria	85601090
1b	Corpo della torcia WT-9F raffreddata ad aria	85601092
1c	Corpo della torcia WT-9V raffreddata ad aria	8560109V
2a	VS-2 Valvola rotativa per 9/17er	85511002
2b	Guarnizione circolare [98W77] WT-9/20/25/60/125	85509-98W77-W

La riproduzione e la distribuzione di questa pubblicazione in qualsiasi forma
- anche parziale - senza previa autorizzazione è vietata.

© Rohrman Schweißtechnik GmbH - Viersen - Germany - www.rohrman.de - info@rohrman.de