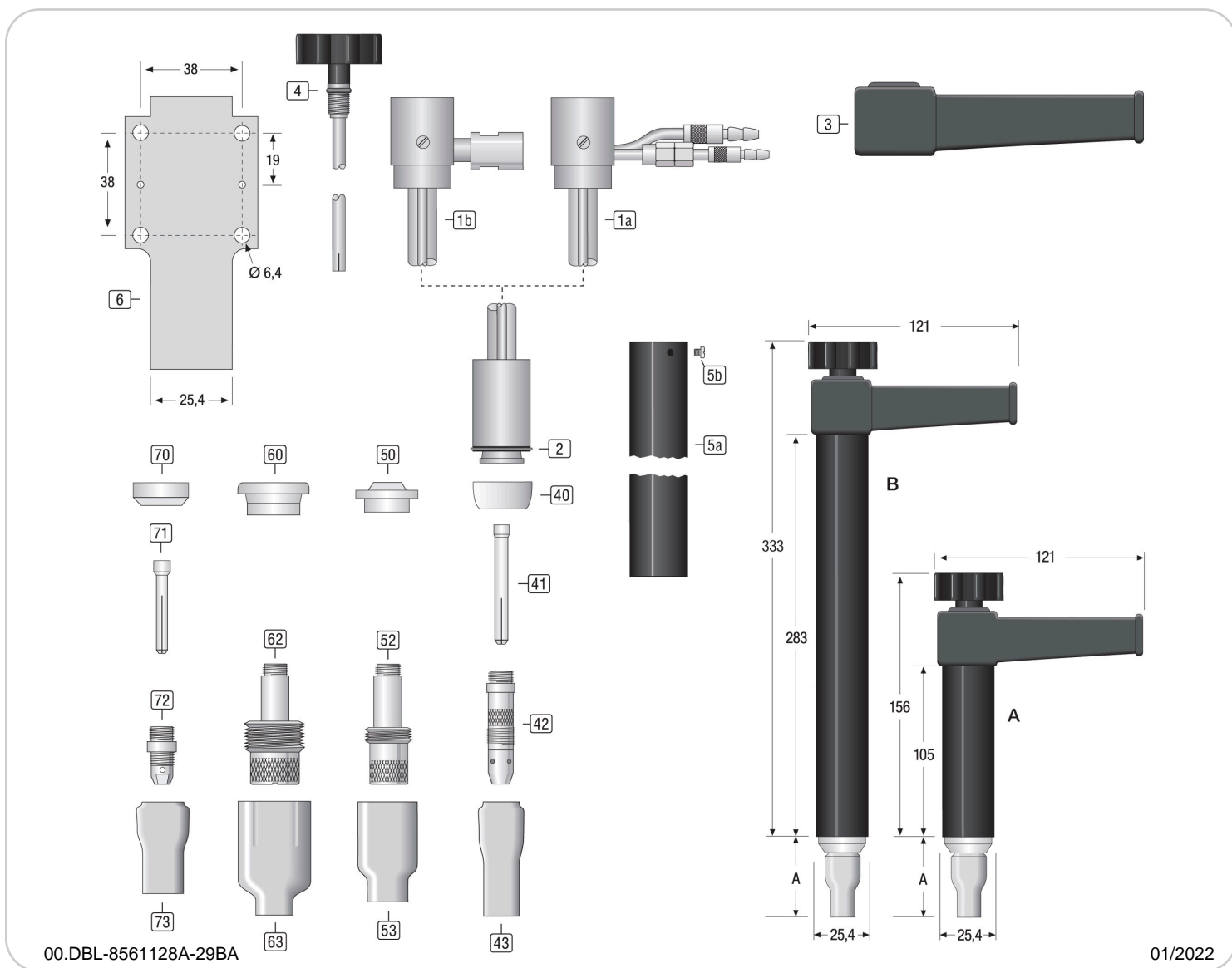




Scheda tecnica

WT28AW_BW/ WT29AA_BA

WeldTec



00.DBL-8561128A-29BA

01/2022

Attrezzatura

Pos.	Descrizione articolo	N. d'ordinazione
40	Isolatore Standard [18CG] WT-17/18/26 WT-28/29	85504181-W
41	Pinze Ø0,5mm L=50mm [10N21] WT-17/18/26 WT-28/29	85110210-W
	Pinze Ø1,0mm L=50mm [10N22] WT-17/18/26 WT-28/29	85110220-W
	Pinze Ø1,6mm L=50mm [10N23] WT-17/18/26 WT-28/29	85110230-W
	Pinze Ø2,4mm L=50mm [10N24] WT-17/18/26 WT-28/29	85110240-W
	Pinze Ø3,2mm L=50mm [10N25] WT-17/18/26 WT-28/29	85110250-W
	Pinze Ø4,0mm L=50mm [54N20] WT-17/18/26 WT-28/29	85114200-W
42	Porta Pinze Ø0,5mm [10N29] WT-17/18/26 WT-28/29	85120290-W
	Porta Pinze Ø1,0mm [10N30] WT-17/18/26 WT-28/29	85120300-W
	Porta Pinze Ø1,6mm [10N31] WT-17/18/26 WT-28/29	85120310-W
	Porta Pinze Ø2,4mm [10N32] WT-17/18/26 WT-28/29	85120320-W
	Porta Pinze Ø3,2mm [10N28] WT-17/18/26 WT-28/29	85120280-W
	Porta Pinze Ø4,0mm [406488] WT-17/18/26 WT-28/29	85124880-W
43	Ugelli #4 iØ6,4mm L=47mm [10N50] WT-17/18/26 WT-28/29	85210500-W
	Ugelli #5 iØ8,0mm L=47mm [10N49] WT-17/18/26 WT-28/29	85210490-W
	Ugelli #6 iØ9,6mm L=47mm [10N48] WT-17/18/26 WT-28/29	85210480-W
	Ugelli #7 iØ11,2mm L=47mm [10N47] WT-17/18/26 WT-28/29	85210470-W
	Ugelli #8 iØ12,8mm L=47mm [10N46] WT-17/18/26 WT-28/29	85210460-W
	Ugelli #10 iØ16mm L=47mm [10N45] WT-17/18/26 WT-28/29	85210450-W
	Ugelli #12 iØ19,2mm L=47mm [10N44] WT-17/18/26 WT-28/29	85210440-W
50	Isolatore Adattatore [54N01] WT-17/18/26 WT-28/29	85504010-W
52	Diffusore a gas Ø0,5mm [45V29] WT-17/18/26 SW-418 WT-28/29	85134529-W
	Diffusore a gas Ø1,0mm [45V24] WT-17/18/26 SW-418 WT-28/29	85134524-W
	Diffusore a gas Ø1,6mm [45V25] WT-17/18/26 SW-418 WT-28/29	85134525-W
	Diffusore a gas Ø2,4mm [45V26] WT-17/18/26 SW-418 WT-28/29	85134526-W
	Diffusore a gas Ø3,2mm [45V27] WT-17/18/26 SW-418 WT-28/29	85134527-W
	Diffusore a gas Ø4,0mm [45V28] WT-17/18/26 SW-418 WT-28/29	85134528-W
53	Ugelli #4 iØ6,4mm L=42mm [54N18] WT-17/18/26 SW-450 WT-28/29	85254180-W
	Ugelli #5 iØ6,4mm L=42mm [54N17] WT-17/18/26 SW-450 WT-28/29	85254170-W
	Ugelli #6 iØ9,6mm L=42mm [54N16] WT-17/18/26 SW-450 WT-28/29	85254160-W
	Ugelli #8 iØ12,8mm L=42mm [54N14] WT-17/18/26 SW-450 WT-28/29	85254140-W
60	Isolatore Diffusore a gas Jumbo [54N63] WT-17/18/26 WT-28/29	85504630-W
62	Diffusore a gas Ø0,5-1,0mm Jumbo [45V0204] WT-17/18/26 SW-418 WT-28/29	85134502-W
	Diffusore a gas Ø1,6mm Jumbo [45V116] WT-17/18/26 SW-418 WT-28/29	85134516-W
	Diffusore a gas Ø2,4mm Jumbo [45V64] WT-17/18/26 WT-28/29	85134564-W
	Diffusore a gas Ø3,2mm Jumbo [995795] WT-17/18/26 WT-28/29	85135795-W
	Diffusore a gas Ø4,0mm Jumbo [45V63] WT-17/18/26 WT-28/29	85134563-W
63	Ugelli #6 iØ9,6mm L=48mm [57N75] ceramici, rosa	85257750-W
	Ugelli #8 iØ12,8mm L=48mm [57N74] ceramici, rosa	85257740-W
	Ugelli #10 iØ16,0mm L=48mm [53N88] WT Jumbo	85253880-W
	Ugelli #12 iØ19,2mm L=48mm [53N87] WT Jumbo	85253870-W
70	Isolatore Stubby [18CG20] WT-17/18/26 WT-28/29	85504182-W
71	Pinze Ø1,6mm L=29,5mm [10N23S] WT-17/18/26 WT-28/29	85110231-W
	Pinze Ø2,4mm L=29,5mm [10N24S] WT-17/18/26 WT-28/29	85110241-W
	Pinze Ø3,2mm L=29,5mm [10N25S] WT-17/18/26 WT-28/29	85110251-W
72	Porta Pinze Ø1,0-3,2mm [17CB20] WT-17/18/26 WT-28/29	85122000-W
73	Ugelli #4 iØ6,4mm L=30mm [13N08] WT-9/20/25 SW-320 WT-22/23	85213080-W
	Ugelli #5 iØ8,0mm L=30mm [13N09] WT-9/20/25 SW-320 WT-22/23	85213090-W
	Ugelli #6 iØ9,6mm L=30mm [13N10] WT-9/20/25 SW-320 WT-22/23	85213100-W
	Ugelli #7 iØ11,2mm L=30mm [13N11] WT-9/20/25 SW-320 WT-22/23	85213110-W
	Ugelli #8 iØ12,8mm L=30mm [13N12] WT-9/20/25 SW-320 WT-22/23	85213120-W
	Ugelli #10 iØ16,0mm L=30mm [13N13] WT-9/20/25 SW-320 WT-22/23	85213130-W

I pezzi di ricambio

Pos.	Descrizione articolo	N. d'ordinazione
1a	Corpo della torcia WT28 Modello A [WT-28AB] raffreddata ad acqua	8561128AW
	Corpo della torcia WT28 Modello B [WT-28BB] raffreddata ad acqua	8561128BW
1b	Corpo della torcia WT29 Modello A [WT-29AB] raffreddata ad aria	8561129AA
	Corpo della torcia WT29 Modello B [WT-29BB] raffreddata ad aria	8561129BA
2	Guarnizione circolare [22-2-4] WT-22/23 WT-28/29	85611Z22-2-4

La riproduzione e la distribuzione di questa pubblicazione in qualsiasi forma
- anche parziale - senza previa autorizzazione è vietata.

3	Protezione antipiega [22-3] WT-22/23 WT-28/29	85611Z22-3A
4	Portaelettrodo Modello A [28-2A] WT-28/29	85611Z28-2A
	Portaelettrodo Modello B [28-2B] WT-28/29	85611Z28-2B
	Guarnizione circolare [22-2-3] WT-22/23 WT-28/29	85611Z22-2-3
5a	Tubo isolamento Modello A [22-1A] WT-22/23 WT-28/29	85611Z22-1A
	Tubo isolamento Modello B [22-1B] WT-22/23 WT-28/29	85611Z22-1B
5b	Set vite [27-10] WT-22/23 WT-28/29 WT-27	85611Z27-10
6	Blocco di montaggio Modello A [MB] WT-22/23 WT-28/29	85611Z22-MB