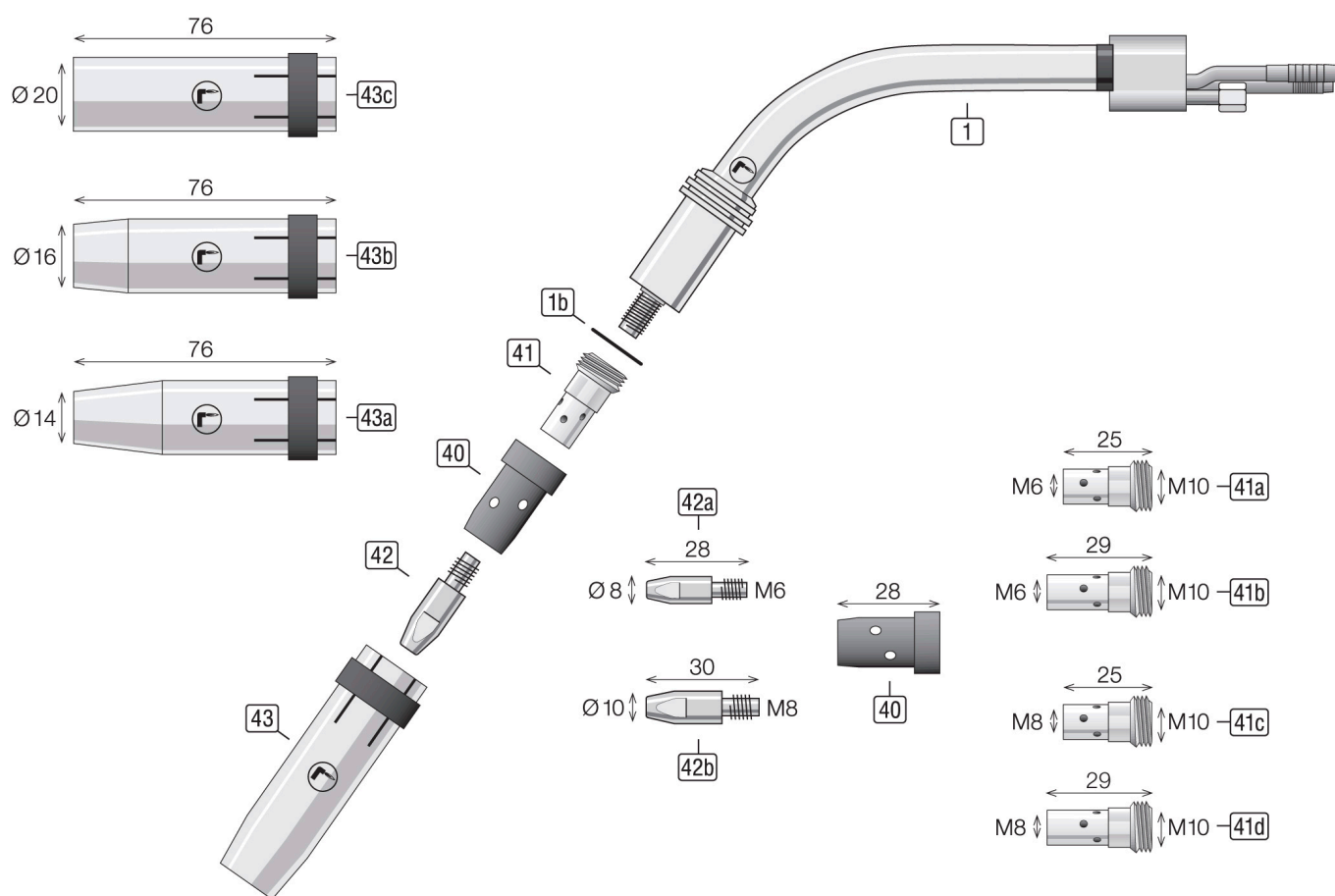




Scheda tecnica

Torcia M 401 EP



00.DBL-MBH401

neu

I pezzi di ricambio

Pos.	Descrizione articolo	N. d'ordinazione
1	Corpo della torcia M 401 raffreddata ad acqua	MBH401
1b	Guarnizione 20x9,5x1 MEP-350/401/501	MIS

Attrezzatura

Pos.	Descrizione articolo	N. d'ordinazione
40	Distributore bianco MEP-350/401/501/551	MGV401W
	Distributore ceramica MEP-350/401/501/551	MGV401K
41a	Porte punta M6 L=25mm MEP-350/401/501	MDSM10-M6X25
41b	Porte punta M6 L=29mm MEP-350/401/501	MDSM10-M6X29
41c	Porte punta M8 L=25mm Standard MEP-350/401/501/550SC	MDSM10-M8X25
41d	Porte punta M8 L=29mm MEP-350/401/501/550SC	MDSM10-M8X29
42	Punte guidafile E-Cu M6 L=28mm Ø0,8mm MEP-240/241/250/260/351	MSDECUM6X28-08
	Punte guidafile E-Cu M6 L=28mm Ø1,0mm MEP-240/241/250/260/351	MSDECUM6X28-10
	Punte guidafile E-Cu M6 L=28mm Ø1,2mm MEP-240/241/250/260/351	MSDECUM6X28-12
	Punte guidafile E-Cu M6 L=28mm Ø0,8mm Alu MEP-240/241/250/260/351	MSDECUM6X28-08A
	Punte guidafile E-Cu M6 L=28mm Ø1,0mm Alu MEP-240/241/250/260/351	MSDECUM6X28-10A
	Punte guidafile E-Cu M6 L=28mm Ø1,2mm Alu MEP-240/241/250/260/351	MSDECUM6X28-12A
	Punte guidafile E-Cu Ni M6 L=28mm Ø0,8mm MEP-240/241/250/260/351	MSDECNM6X28-08
	Punte guidafile E-Cu Ni M6 L=28mm Ø1,0mm MEP-240/241/250/260/351	MSDECNM6X28-10
	Punte guidafile E-Cu Ni M6 L=28mm Ø1,2mm MEP-240/241/250/260/351	MSDECNM6X28-12
	Punte guidafile CuCrZr M6 L=28mm Ø0,8mm MEP-240/241/250/260/351	MSDCCZM6X28-08
	Punte guidafile CuCrZr M6 L=28mm Ø0,9mm MEP-240/241/250/260/351	MSDCCZM6X28-09
	Punte guidafile CuCrZr M6 L=28mm Ø1,0mm MEP-240/241/250/260/351	MSDCCZM6X28-10
	Punte guidafile CuCrZr M6 L=28mm Ø1,2mm MEP-240/241/250/260/351	MSDCCZM6X28-12
42b	Punte guidafile E-Cu M8 L=30mm Ø0,8mm MEP-350/360/401/501/551	MSDECUM8X30-08
	Punte guidafile E-Cu M8 L=30mm Ø1,0mm MEP-350/360/401/501/551	MSDECUM8X30-10
	Punte guidafile E-Cu M8 L=30mm Ø1,2mm MEP-350/360/401/501/551	MSDECUM8X30-12
	Punte guidafile E-Cu M8 L=30mm Ø1,4mm MEP-350/360/401/501/551	MSDECUM8X30-14
	Punte guidafile E-Cu M8 L=30mm Ø1,6mm MEP-350/360/401/501/551	MSDECUM8X30-16
	Punte guidafile E-Cu M8 L=30mm Ø2,0mm MEP-350/360/401/501/551	MSDECUM8X30-20
	Punte guidafile E-Cu M8 L=30mm Ø2,4mm MEP-350/360/401/501/551	MSDECUM8X30-24
	Punte guidafile E-Cu M8 L=30mm Ø0,8mm Alu MEP-350/360/401/501/551	MSDECUM8X30-08A
	Punte guidafile E-Cu M8 L=30mm Ø1,0mm Alu MEP-350/360/401/501/551	MSDECUM8X30-10A
	Punte guidafile E-Cu M8 L=30mm Ø1,2mm Alu MEP-350/360/401/501/551	MSDECUM8X30-12A
	Punte guidafile E-Cu M8 L=30mm Ø1,6mm Alu MEP-350/360/401/501/551	MSDECUM8X30-16A
	Punte guidafile E-Cu Ni M8 L=30mm Ø0,8mm MEP-350/360/401/501/551	MSDECNM8X30-08
	Punte guidafile E-Cu Ni M8 L=30mm Ø1,0mm MEP-350/360/401/501/551	MSDECNM8X30-10
	Punte guidafile E-Cu Ni M8 L=30mm Ø1,2mm MEP-350/360/401/501/551	MSDECNM8X30-12
	Punte guidafile CuCrZr M8 L=30mm Ø0,8mm MEP-350/360/401/501/551	MSDCCZM8X30-08
	Punte guidafile CuCrZr M8 L=30mm Ø1,0mm MEP-350/360/401/501/551	MSDCCZM8X30-10
	Punte guidafile CuCrZr M8 L=30mm Ø1,2mm MEP-350/360/401/501/551	MSDCCZM8X30-12
	Punte guidafile CuCrZr M8 L=30mm Ø1,4mm MEP-350/360/401/501/551	MSDCCZM8X30-14
	Punte guidafile CuCrZr M8 L=30mm Ø1,6mm MEP-350/360/401/501/551	MSDCCZM8X30-16
	Punte guidafile CuCrZr M8 L=30mm Ø2,0mm MEP-350/360/401/501/551	MSDCCZM8X30-20
	Punte guidafile CuCrZr M8 L=30mm Ø2,4mm MEP-350/360/401/501/551	MSDCCZM8X30-24
43a	Ugelli Ø14,0 L=76mm forte conico MEP-260/350/401/501/551	MGDK401-140
43b	Ugelli Ø16,0 L=76mm conico MEP-260/350/401/501/551	MGDK401-160
43c	Ugelli Ø20,0 L=76mm cilindrico MEP-260/350/401/501/551	MGDZ401-200
	Ugello a saldatura a punti Ø20 L=85mm	MGDP401-200