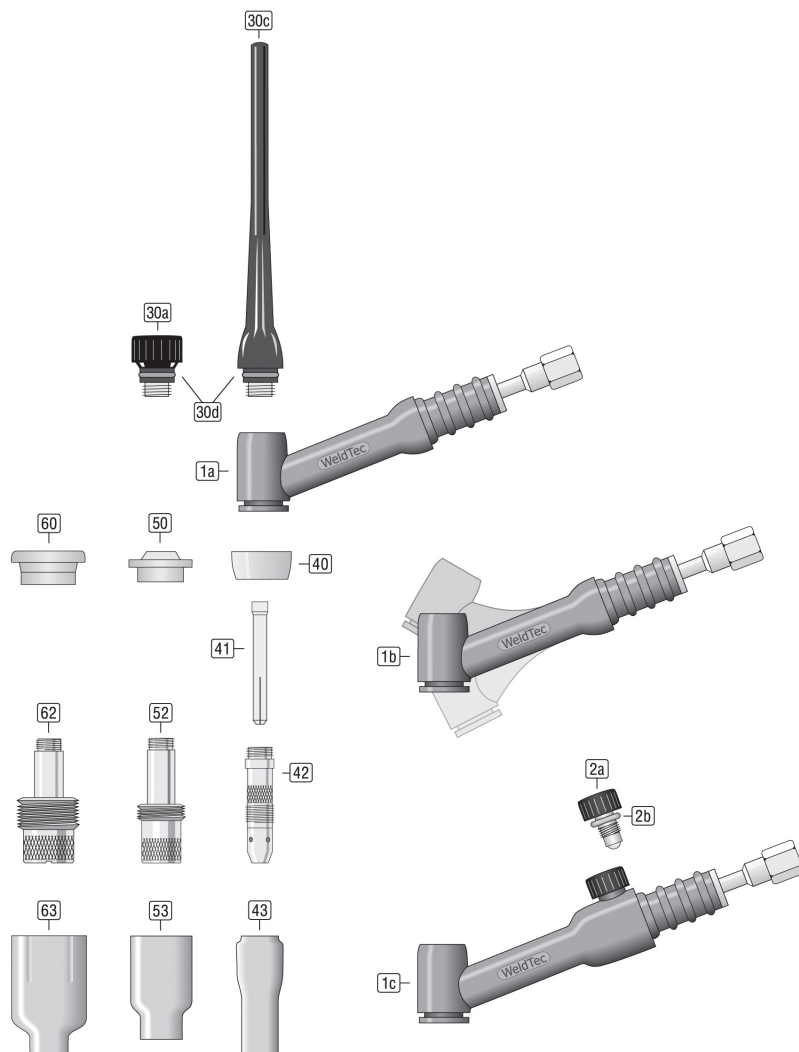




Fiche technique

WT17 WT17F WT17V

WeldTec



00.DBL-85601170-1172

01/2022

Torche TIG WT17/ WT17F/ WT17V

Équipement

| Pos. | Désignation de l'article | Numéro d'article |
|------|---|------------------|
| 30a | Bouchon court [57Y04] WT-17/18/26 SW-450 | 85757040-W |
| 30c | Bouchon long [57Y02] WT-17/18/26 SW-450 | 85757020-W |
| 30d | Bague [98W18] WT-17/18/26 | 85509-98W18-W |
| 40 | Isolateur Standard [18CG] WT-17/18/26 WT-28/29 | 85504181-W |
| 41 | Pince Ø0,5mm L=50mm [10N21] WT-17/18/26 WT-28/29 | 85110210-W |
| | Pince Ø1,0mm L=50mm [10N22] WT-17/18/26 WT-28/29 | 85110220-W |
| | Pince Ø1,6mm L=50mm [10N23] WT-17/18/26 WT-28/29 | 85110230-W |
| | Pince Ø2,4mm L=50mm [10N24] WT-17/18/26 WT-28/29 | 85110240-W |
| | Pince Ø3,2mm L=50mm [10N25] WT-17/18/26 WT-28/29 | 85110250-W |
| | Pince Ø4,0mm L=50mm [54N20] WT-17/18/26 WT-28/29 | 85114200-W |
| 42 | Porte pince Ø0,5mm [10N29] WT-17/18/26 WT-28/29 | 85120290-W |
| | Porte pince Ø1,0mm [10N30] WT-17/18/26 WT-28/29 | 85120300-W |
| | Porte pince Ø1,6mm [10N31] WT-17/18/26 WT-28/29 | 85120310-W |
| | Porte pince Ø2,4mm [10N32] WT-17/18/26 WT-28/29 | 85120320-W |
| | Porte pince Ø3,2mm [10N28] WT-17/18/26 WT-28/29 | 85120280-W |
| | Porte pince Ø4,0mm [406488] WT-17/18/26 WT-28/29 | 85124880-W |
| 43 | Buse #4 iØ6,4mm L=47mm [10N50] WT-17/18/26 WT-28/29 | 85210500-W |
| | Buse #5 iØ8,0mm L=47mm [10N49] WT-17/18/26 WT-28/29 | 85210490-W |
| | Buse #6 iØ9,6mm L=47mm [10N48] WT-17/18/26 WT-28/29 | 85210480-W |
| | Buse #7 iØ11,2mm L=47mm [10N47] WT-17/18/26 WT-28/29 | 85210470-W |
| | Buse #8 iØ12,8mm L=47mm [10N46] WT-17/18/26 WT-28/29 | 85210460-W |
| | Buse #10 iØ16mm L=47mm [10N45] WT-17/18/26 WT-28/29 | 85210450-W |
| | Buse #12 iØ19,2mm L=47mm [10N44] WT-17/18/26 WT-28/29 | 85210440-W |
| 50 | Isolateur Adapteur [54N01] WT-17/18/26 WT-28/29 | 85504010-W |
| 52 | Diffuseur de gaz Ø1,0mm [45V24] WT-17/18/26 SW-418 WT-28/29 | 85134524-W |
| | Diffuseur de gaz Ø1,6mm [45V25] WT-17/18/26 SW-418 WT-28/29 | 85134525-W |
| | Diffuseur de gaz Ø2,4mm [45V26] WT-17/18/26 SW-418 WT-28/29 | 85134526-W |
| | Diffuseur de gaz Ø3,2mm [45V27] WT-17/18/26 SW-418 WT-28/29 | 85134527-W |
| | Diffuseur de gaz Ø4,0mm [45V28] WT-17/18/26 SW-418 WT-28/29 | 85134528-W |
| 53 | Buse #4 iØ6,4mm L=42mm [54N18] WT-17/18/26 SW-450 WT-28/29 | 85254180-W |
| | Buse #5 iØ6,4mm L=42mm [54N17] WT-17/18/26 SW-450 WT-28/29 | 85254170-W |
| | Buse #6 iØ9,6mm L=42mm [54N16] WT-17/18/26 SW-450 WT-28/29 | 85254160-W |
| | Buse #8 iØ12,8mm L=42mm [54N14] WT-17/18/26 SW-450 WT-28/29 | 85254140-W |
| 60 | Isolateur Diffuseur de gaz Jumbo [54N63] WT-17/18/26 WT-28/29 | 85504630-W |
| 62 | Diffuseur de gaz Ø0,5-1,0mm Jumbo [45V0204] WT-17/18/26 SW-418 WT-28/29 | 85134502-W |
| | Diffuseur de gaz Ø1,6mm Jumbo [45V116] WT-17/18/26 SW-418 WT-28/29 | 85134516-W |
| | Diffuseur de gaz Ø2,4mm Jumbo [45V64] WT-17/18/26 WT-28/29 | 85134564-W |
| | Diffuseur de gaz Ø3,2mm Jumbo [995795] WT-17/18/26 WT-28/29 | 85135795-W |
| | Diffuseur de gaz Ø4,0mm Jumbo [45V63] WT-17/18/26 WT-28/29 | 85134563-W |
| 63 | Buse #6 iØ9,6mm L=48mm [57N75] céramique, rose | 85257750-W |
| | Buse #8 iØ12,8mm L=48mm [57N74] céramique, rose | 85257740-W |
| | Buse #10 iØ16,0mm L=48mm [53N88] WT Jumbo | 85253880-W |
| | Buse #12 iØ19,2mm L=48mm [53N87] WT Jumbo | 85253870-W |

Components

| Pos. | Désignation de l'article | Numéro d'article |
|------|--|------------------|
| 1a | Corp de torche WT-17 refroidi avec de l'air | 85601170 |
| 1b | Corp de torche WT-17F refroidi avec de l'air | 85601172 |
| 1c | Corp de torche WT-17V refroidi avec de l'air | 8560117V |
| 2a | VS-2 Vanne rotatif pour 9/17er | 85511002 |
| 2b | Bague rouge [98W77] pour Bouchon 41V24/33/35 | 8550904520R |

La reproduction et la distribution de cette publication sous quelque forme que ce soit - même en partie - sans autorisation préalable sont interdites.

© Rohrman Schweißtechnik GmbH - Viersen - Germany - www.rohrman.de - info@rohrman.de