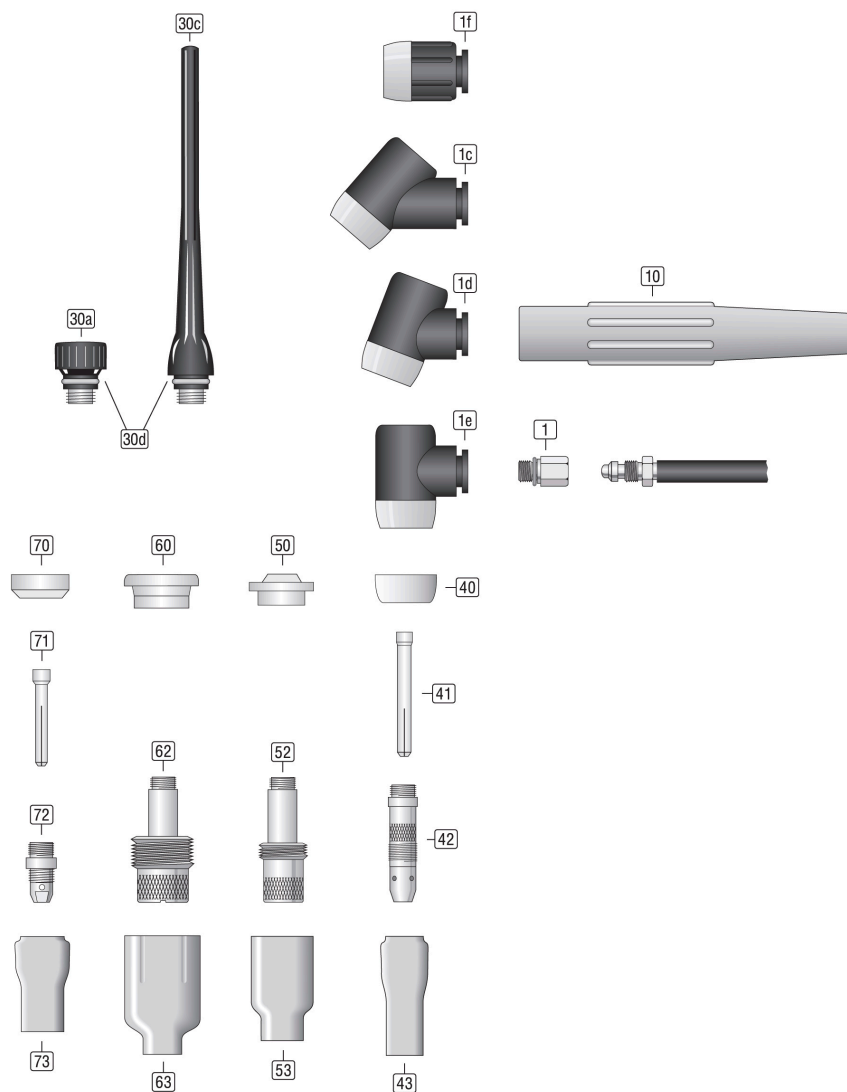




Fiche technique

Stubby® WTS-17

WeldTec



00.DBL-85608SG17

02-2022

Torche TIG Stubby® WTS-17

Équipement

Pos.	Désignation de l'article	Numéro d'article
30a	Bouchon court [57Y04] WT-17/18/26 SW-450	85757040-W
30c	Bouchon long [57Y02] WT-17/18/26 SW-450	85757020-W
30d	Bague [98W18] WT-17/18/26	85509-98W18-W
40	Isolateur Standard [18CG] WT-17/18/26 WT-28/29	85504181-W
41	Pince Ø0,5mm L=50mm [10N21] WT-17/18/26 WT-28/29	85110210-W
	Pince Ø1,0mm L=50mm [10N22] WT-17/18/26 WT-28/29	85110220-W
	Pince Ø1,6mm L=50mm [10N23] WT-17/18/26 WT-28/29	85110230-W
	Pince Ø2,4mm L=50mm [10N24] WT-17/18/26 WT-28/29	85110240-W
	Pince Ø3,2mm L=50mm [10N25] WT-17/18/26 WT-28/29	85110250-W
	Pince Ø4,0mm L=50mm [54N20] WT-17/18/26 WT-28/29	85114200-W
42	Porte pince Ø0,5mm [10N29] WT-17/18/26 WT-28/29	85120290-W
	Porte pince Ø1,0mm [10N30] WT-17/18/26 WT-28/29	85120300-W
	Porte pince Ø1,6mm [10N31] WT-17/18/26 WT-28/29	85120310-W
	Porte pince Ø2,4mm [10N32] WT-17/18/26 WT-28/29	85120320-W
	Porte pince Ø3,2mm [10N28] WT-17/18/26 WT-28/29	85120280-W
	Porte pince Ø4,0mm [406488] WT-17/18/26 WT-28/29	85124880-W
43	Buse #4 iØ6,4mm L=47mm [10N50] WT-17/18/26 WT-28/29	85210500-W
	Buse #5 iØ8,0mm L=47mm [10N49] WT-17/18/26 WT-28/29	85210490-W
	Buse #6 iØ9,6mm L=47mm [10N48] WT-17/18/26 WT-28/29	85210480-W
	Buse #7 iØ11,2mm L=47mm [10N47] WT-17/18/26 WT-28/29	85210470-W
	Buse #8 iØ12,8mm L=47mm [10N46] WT-17/18/26 WT-28/29	85210460-W
	Buse #10 iØ16mm L=47mm [10N45] WT-17/18/26 WT-28/29	85210450-W
	Buse #12 iØ19,2mm L=47mm [10N44] WT-17/18/26 WT-28/29	85210440-W
50	Isolateur Adapteur [54N01] WT-17/18/26 WT-28/29	85504010-W
52	Diffuseur de gaz Ø1,0mm [45V24] WT-17/18/26 SW-418 WT-28/29	85134524-W
	Diffuseur de gaz Ø1,6mm [45V25] WT-17/18/26 SW-418 WT-28/29	85134525-W
	Diffuseur de gaz Ø2,4mm [45V26] WT-17/18/26 SW-418 WT-28/29	85134526-W
	Diffuseur de gaz Ø3,2mm [45V27] WT-17/18/26 SW-418 WT-28/29	85134527-W
	Diffuseur de gaz Ø4,0mm [45V28] WT-17/18/26 SW-418 WT-28/29	85134528-W
53	Buse #4 iØ6,4mm L=42mm [54N18] WT-17/18/26 SW-450 WT-28/29	85254180-W
	Buse #5 iØ6,4mm L=42mm [54N17] WT-17/18/26 SW-450 WT-28/29	85254170-W
	Buse #6 iØ9,6mm L=42mm [54N16] WT-17/18/26 SW-450 WT-28/29	85254160-W
	Buse #8 iØ12,8mm L=42mm [54N14] WT-17/18/26 SW-450 WT-28/29	85254140-W
60	Isolateur Diffuseur de gaz Jumbo [54N63] WT-17/18/26 WT-28/29	85504630-W
62	Diffuseur de gaz Ø0,5-1,0mm Jumbo [45V0204] WT-17/18/26 SW-418 WT-28/29	85134502-W
	Diffuseur de gaz Ø1,6mm Jumbo [45V116] WT-17/18/26 SW-418 WT-28/29	85134516-W
	Diffuseur de gaz Ø2,4mm Jumbo [45V64] WT-17/18/26 WT-28/29	85134564-W
	Diffuseur de gaz Ø3,2mm Jumbo [995795] WT-17/18/26 WT-28/29	85135795-W
	Diffuseur de gaz Ø4,0mm Jumbo [45V63] WT-17/18/26 WT-28/29	85134563-W
63	Buse #6 iØ9,6mm L=48mm [57N75] céramique, rose	85257750-W
	Buse #8 iØ12,8mm L=48mm [57N74] céramique, rose	85257740-W
	Buse #10 iØ16,0mm L=48mm [53N88] WT Jumbo	85253880-W
	Buse #12 iØ19,2mm L=48mm [53N87] WT Jumbo	85253870-W
70	Isolateur Stubby [18CG20] WT-17/18/26 WT-28/29	85504182-W
71	Pince Ø1,0mm L=29,5mm [10N22S] WT-17/18/26 WT-28/29	85110221-W
	Pince Ø1,6mm L=29,5mm [10N23S] WT-17/18/26 WT-28/29	85110231-W
	Pince Ø2,4mm L=29,5mm [10N24S] WT-17/18/26 WT-28/29	85110241-W
	Pince Ø3,2mm L=29,5mm [10N25S] WT-17/18/26 WT-28/29	85110251-W
72	Porte pince Ø1,0-3,2mm [17CB20] WT-17/18/26 WT-28/29	85122000-W
73	Buse #4 iØ6,4mm L=30mm [13N08] WT-9/20/25 SW-320 WT-22/23	85213080-W
	Buse #5 iØ8,0mm L=30mm [13N09] WT-9/20/25 SW-320 WT-22/23	85213090-W
	Buse #6 iØ9,6mm L=30mm [13N10] WT-9/20/25 SW-320 WT-22/23	85213100-W
	Buse #7 iØ11,2mm L=30mm [13N11] WT-9/20/25 SW-320 WT-22/23	85213110-W
	Buse #8 iØ12,8mm L=30mm [13N12] WT-9/20/25 SW-320 WT-22/23	85213120-W
	Buse #10 iØ16,0mm L=30mm [13N13] WT-9/20/25 SW-320 WT-22/23	85213130-W

Components

Pos.	Désignation de l'article	Numéro d'article
1	Coupleur [920CA] WTS	8550590-920CA
1c	Tête de la torche WT-17/18 50° WTB / WTF	8560817-50-W

La reproduction et la distribution de cette publication sous quelque forme que ce soit
- même en partie - sans autorisation préalable sont interdites.

© Rohrman Schweißtechnik GmbH - Viersen - Germany - www.rohrman.de - info@rohrman.de

1d	Tête de la torche WT-17/18 70° WTB / WTF	8560817-70-W
1e	Tête de la torche WT-17/18 90° WTB / WTF	8560817-90-W
1f	Tête de la torche WT-17/18 180° WTB / WTF	8560817-180-W
10	Poignée H-100SR WTS Stubby	8550351-H100SR

**La reproduction et la distribution de cette publication sous quelque forme que ce soit
- même en partie - sans autorisation préalable sont interdites.**

© Rohrman Schweißtechnik GmbH - Viersen - Germany - www.rohrman.de - info@rohrman.de