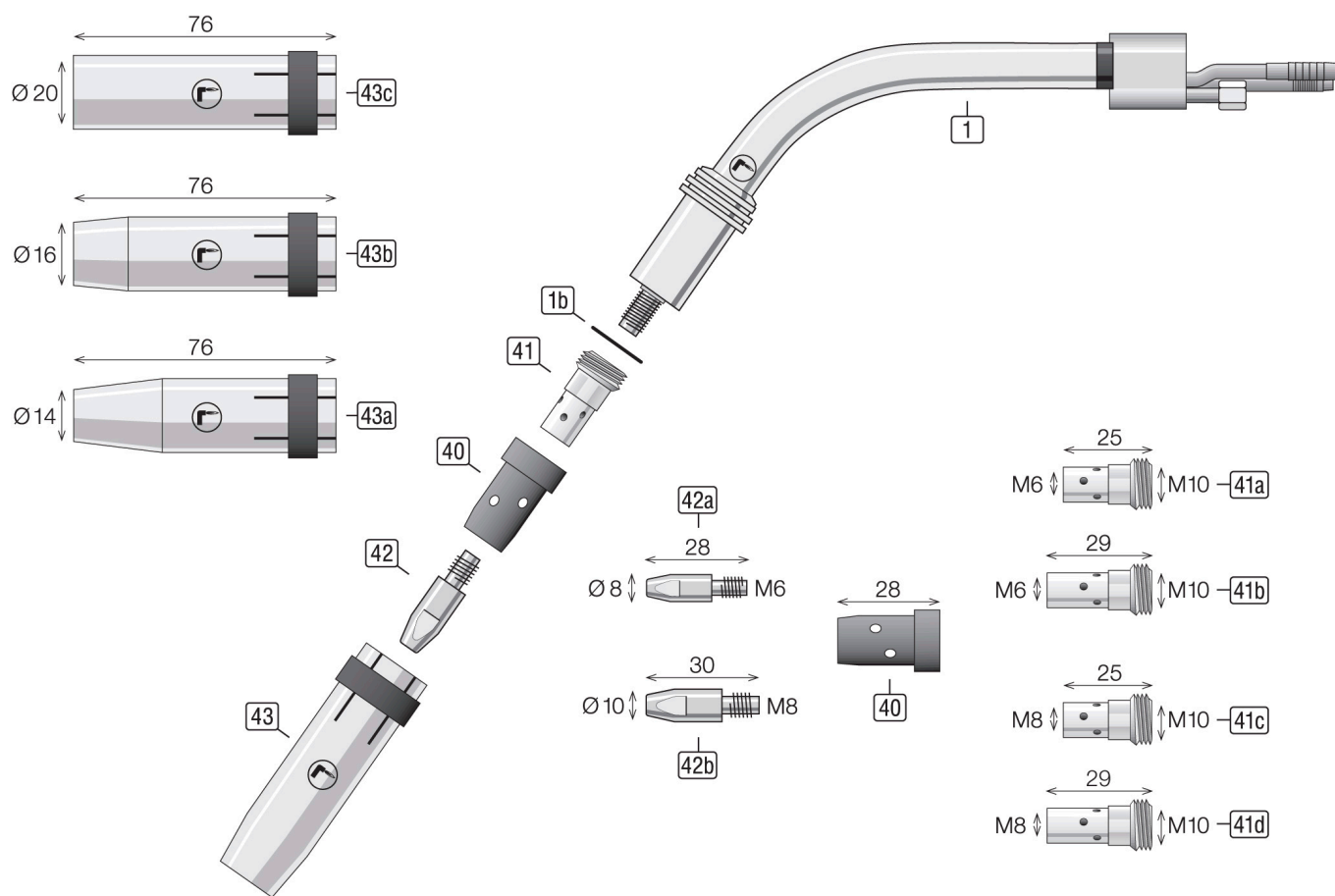




Fiche technique

Torche M 401 EP



00.DBL-MBH401

neu

Components

Pos.	Désignation de l'article	Numéro d'article
1	Corp de torche MEP-401 refroidi avec de l'eau	MBH401
1b	Bague d'étanchéité 20x9,5x1 MEP-350/401/501	MIS

Équipement

Pos.	Désignation de l'article	Numéro d'article
40	Le distributeur de gaz blanche MEP-350/401/501/551	MGV401W
	Le distributeur de gaz céramique MEP-350/401/501/551	MGV401K
41a	Support tube contact M6 L=25mm MEP-350/401/501	MSDSM10-M6X25
41b	Support tube contact M6 L=29mm MEP-350/401/501	MSDSM10-M6X29
41c	Support tube contact M8 L=25mm Standard MEP-350/401/501/550SC	MSDSM10-M8X25
41d	Support tube contact M8 L=29mm MEP-350/401/501/550SC	MSDSM10-M8X29
42	Tube contact E-Cu M6 L=28mm Ø0,8mm MEP-240/241/250/260/351	MSDECUM6X28-08
	Tube contact E-Cu M6 L=28mm Ø1,0mm MEP-240/241/250/260/351	MSDECUM6X28-10
	Tube contact E-Cu M6 L=28mm Ø1,2mm MEP-240/241/250/260/351	MSDECUM6X28-12
	Tube contact E-Cu M6 L=28mm Ø0,8mm Alu MEP-240/241/250/260/351	MSDECUM6X28-08A
	Tube contact E-Cu M6 L=28mm Ø1,0mm Alu MEP-240/241/250/260/351	MSDECUM6X28-10A
	Tube contact E-Cu M6 L=28mm Ø1,2mm Alu MEP-240/241/250/260/351	MSDECUM6X28-12A
	Tube contact E-Cu Ni M6 L=28mm Ø0,8mm MEP-240/241/250/260/351	MSDECNM6X28-08
	Tube contact E-Cu Ni M6 L=28mm Ø1,0mm MEP-240/241/250/260/351	MSDECNM6X28-10
	Tube contact E-Cu Ni M6 L=28mm Ø1,2mm MEP-240/241/250/260/351	MSDECNM6X28-12
	Tube contact CuCrZr M6 L=28mm Ø0,8mm MEP-240/241/250/260/351	MSDCCZM6X28-08
	Tube contact CuCrZr M6 L=28mm Ø0,9mm MEP-240/241/250/260/351	MSDCCZM6X28-09
	Tube contact CuCrZr M6 L=28mm Ø1,0mm MEP-240/241/250/260/351	MSDCCZM6X28-10
	Tube contact CuCrZr M6 L=28mm Ø1,2mm MEP-240/241/250/260/351	MSDCCZM6X28-12
42b	Tube contact E-Cu M8 L=30mm Ø0,8mm MEP-350/360/401/501/551	MSDECUM8X30-08
	Tube contact E-Cu M8 L=30mm Ø1,0mm MEP-350/360/401/501/551	MSDECUM8X30-10
	Tube contact E-Cu M8 L=30mm Ø1,2mm MEP-350/360/401/501/551	MSDECUM8X30-12
	Tube contact E-Cu M8 L=30mm Ø1,4mm MEP-350/360/401/501/551	MSDECUM8X30-14
	Tube contact E-Cu M8 L=30mm Ø1,6mm MEP-350/360/401/501/551	MSDECUM8X30-16
	Tube contact E-Cu M8 L=30mm Ø2,0mm MEP-350/360/401/501/551	MSDECUM8X30-20
	Tube contact E-Cu M8 L=30mm Ø2,4mm MEP-350/360/401/501/551	MSDECUM8X30-24
	Tube contact E-Cu M8 L=30mm Ø0,8mm Alu MEP-350/360/401/501/551	MSDECUM8X30-08A
	Tube contact E-Cu M8 L=30mm Ø1,0mm Alu MEP-350/360/401/501/551	MSDECUM8X30-10A
	Tube contact E-Cu M8 L=30mm Ø1,2mm Alu MEP-350/360/401/501/551	MSDECUM8X30-12A
	Tube contact E-Cu M8 L=30mm Ø1,6mm Alu MEP-350/360/401/501/551	MSDECUM8X30-16A
	Tube contact E-Cu Ni M8 L=30mm Ø0,8mm MEP-350/360/401/501/551	MSDECNM8X30-08
	Tube contact E-Cu Ni M8 L=30mm Ø1,0mm MEP-350/360/401/501/551	MSDECNM8X30-10
	Tube contact E-Cu Ni M8 L=30mm Ø1,2mm MEP-350/360/401/501/551	MSDECNM8X30-12
	Tube contact CuCrZr M8 L=30mm Ø0,8mm MEP-350/360/401/501/551	MSDCCZM8X30-08
	Tube contact CuCrZr M8 L=30mm Ø1,0mm MEP-350/360/401/501/551	MSDCCZM8X30-10
	Tube contact CuCrZr M8 L=30mm Ø1,2mm MEP-350/360/401/501/551	MSDCCZM8X30-12
	Tube contact CuCrZr M8 L=30mm Ø1,4mm MEP-350/360/401/501/551	MSDCCZM8X30-14
	Tube contact CuCrZr M8 L=30mm Ø1,6mm MEP-350/360/401/501/551	MSDCCZM8X30-16
	Tube contact CuCrZr M8 L=30mm Ø2,0mm MEP-350/360/401/501/551	MSDCCZM8X30-20
	Tube contact CuCrZr M8 L=30mm Ø2,4mm MEP-350/360/401/501/551	MSDCCZM8X30-24
43a	Buse Ø14,0 L=76mm forte conique MEP-260/350/401/501/551	MGDK401-140
43b	Buse Ø16,0 L=76mm conique MEP-260/350/401/501/551	MGDK401-160
43c	Buse Ø20,0 L=76mm cylindrique MEP-260/350/401/501/551	MGDZ401-200
	Buse soudage par point Ø20 L=85mm	MGDP401-200