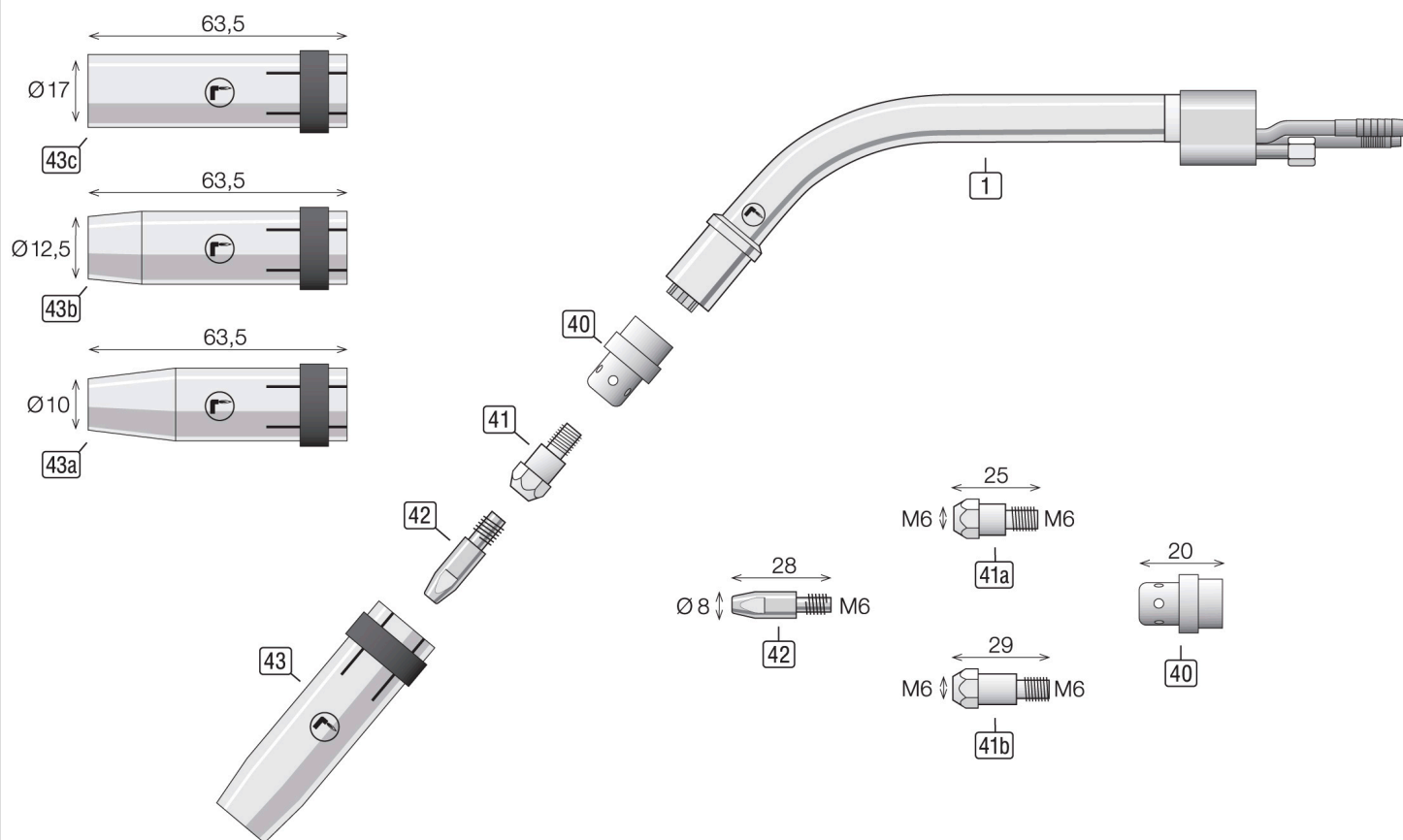




Fiche technique

Torche M 241 EP



00.DBL-MBH241

neu

Components

Pos.	Désignation de l'article	Numéro d'article
1	Col de sygne M 241 refroidi avec de l'eau	MBH241

Équipement

Pos.	Désignation de l'article	Numéro d'article
40	Le distributeur de gaz blanche Standard MEP-240/241	MGV240W
	Le distributeur de gaz céramique MEP-240/241	MGV240K
41a	Support tube contact M6 L=26mm Standard MEP-240/241	MSDM6-M6X26
41b	Support tube contact M6 L=28mm MEP-240/241	MSDM6-M6X28
42	Tube contact E-Cu M6 L=28mm Ø0,8mm MEP-240/241/250/260/351	MSDECUM6X28-08
	Tube contact E-Cu M6 L=28mm Ø1,0mm MEP-240/241/250/260/351	MSDECUM6X28-10
	Tube contact E-Cu M6 L=28mm Ø1,2mm MEP-240/241/250/260/351	MSDECUM6X28-12
	Tube contact E-Cu M6 L=28mm Ø0,8mm Alu MEP-240/241/250/260/351	MSDECUM6X28-08A
	Tube contact E-Cu M6 L=28mm Ø1,0mm Alu MEP-240/241/250/260/351	MSDECUM6X28-10A
	Tube contact E-Cu M6 L=28mm Ø1,2mm Alu MEP-240/241/250/260/351	MSDECUM6X28-12A
	Tube contact E-Cu Ni M6 L=28mm Ø0,8mm MEP-240/241/250/260/351	MSDECNM6X28-08
	Tube contact E-Cu Ni M6 L=28mm Ø1,0mm MEP-240/241/250/260/351	MSDECNM6X28-10
	Tube contact E-Cu Ni M6 L=28mm Ø1,2mm MEP-240/241/250/260/351	MSDECNM6X28-12
	Tube contact CuCrZr M6 L=28mm Ø0,8mm MEP-240/241/250/260/351	MSDCCZM6X28-08
	Tube contact CuCrZr M6 L=28mm Ø0,9mm MEP-240/241/250/260/351	MSDCCZM6X28-09
	Tube contact CuCrZr M6 L=28mm Ø1,0mm MEP-240/241/250/260/351	MSDCCZM6X28-10
	Tube contact CuCrZr M6 L=28mm Ø1,2mm MEP-240/241/250/260/351	MSDCCZM6X28-12
43a	Buse Ø10,0 L=63,5mm forte conique MEP-240/241	MGDK240-100
43b	Buse Ø12,5 L=63,5mm conique MEP-240/241	MGDK240-125
43c	Buse Ø17,0 L=63,5mm cylindrique MEP-240/241	MGDZ240-170