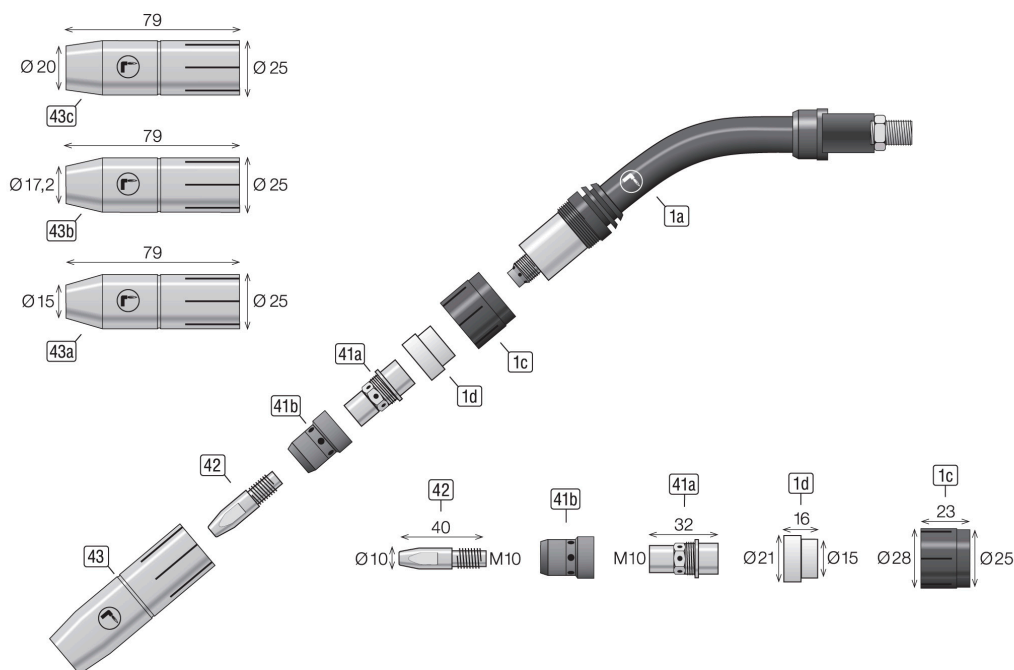




Fiche technique

Torche RM400L



00.DBL-M.F001.RM400L

06-2022

Components

Pos.	Désignation de l'article	Numéro d'article
1a	Col de sygne RM400L refroidi avec de l'air	M.F001.RM400L

Équipement

Pos.	Désignation de l'article	Numéro d'article
1c	Manchon de retenue iØ25mm aØ28mm L=23mm RM400L/500W	M.F002.0221
1d	Bague isolante iØ15mm aØ21mm L=16mm RM400L	M.F002.0121
41a	Support tube contact M10 SW13 L=32mm RM400L/500W	M.F002.0321
41b	Protection contre éclaboussure iØ10,1mm aØ20,8mm L=28,5mm RM400L/500W R5T	M.F002.0401
42	Tube contact CuCrZr M10 L=40mm Ø0,8mm RM400L/500W	M.F004.0301
	Tube contact CuCrZr M10 L=40mm Ø0,9mm RM400L/500W	M.F004.0302
	Tube contact CuCrZr M10 L=40mm Ø1,0mm RM400L/500W	M.F004.0303
	Tube contact CuCrZr M10 L=40mm Ø1,2mm RM400L/500W	M.F004.0304
	Tube contact CuCrZr M10 L=40mm Ø1,4mm RM400L/500W	M.F004.0305
	Tube contact CuCrZr M10 L=40mm Ø1,6mm RM400L/500W	M.F004.0306
	Tube contact CuCrZr M10 L=40mm Ø0,9mm ZB4,1 RM400L/500W - fil d'aluminium	M.F004.0321
	Tube contact CuCrZr M10 L=40mm Ø1,0mm ZB4,1 RM400L/500W - fil d'aluminium	M.F004.0322
	Tube contact CuCrZr M10 L=40mm Ø1,2mm ZB4,1 RM400L/500W - fil d'aluminium	M.F004.0324
	Tube contact CuCrZr M10 L=40mm Ø1,4mm ZB4,1 RM400L/500W - fil d'aluminium	M.F004.0326
	Tube contact CuCrZr M10 L=40mm Ø1,6mm ZB4,8 RM400L/500W - fil d'aluminium	M.F004.0327
43a	Buse iØ15,0 L=79,0mm forte conique RM400L/500W	M.F003.0124
43b	Buse iØ17,2 L=79,0mm conique RM400L/500W	M.F003.0122
43c	Buse iØ20,0mm L=79,0mm cylindrique RM400L/500W	M.F003.0121