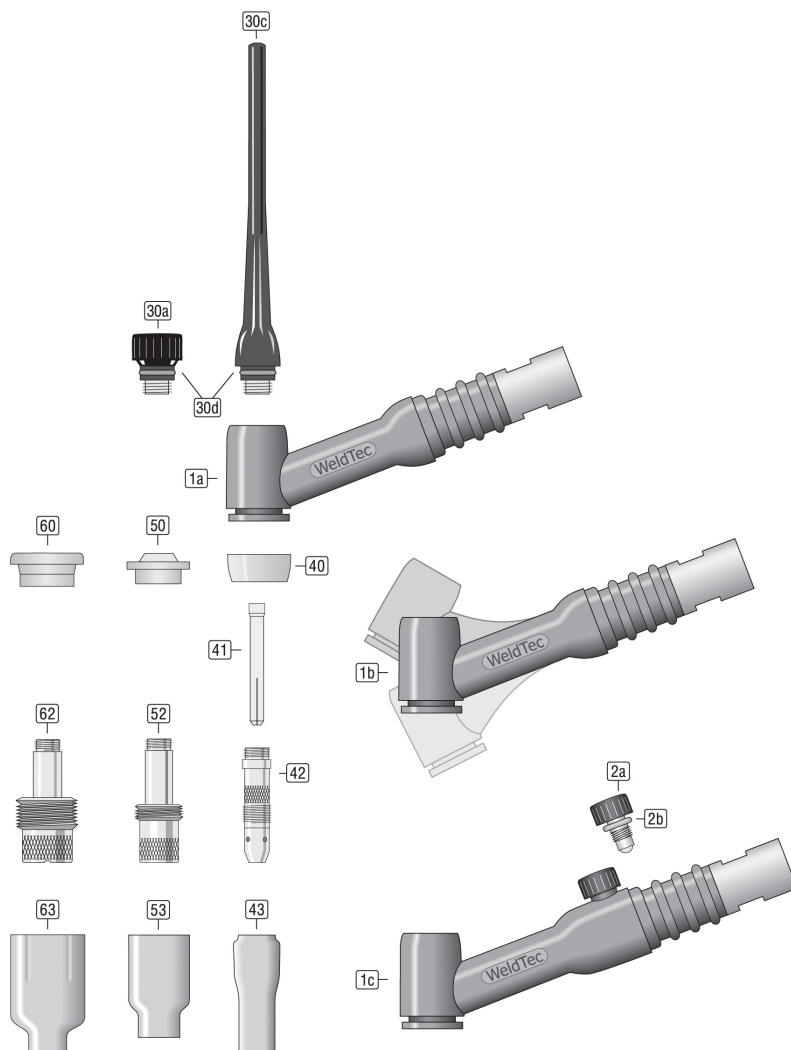




Data Sheet

WT26 WT26F

WeldTec



00.DBL-85601260-1262

01/2022

Reproduction and distribution of this publication in any form- even in parts - without prior permission is forbidden.

© Rohrman Schweißtechnik GmbH - Viersen - Germany - www.rohrman.de - info@rohrman.de

TIG Torch WT26/ WT26F**Wearing parts**

#	Item description	Part no
30a	Back Cap short [57Y04] WT-17/18/26 SW-450	85757040-W
30c	Back Cap long [57Y02] WT-17/18/26 SW-450	85757020-W
30d	O-ring [98W18] WT-17/18/26	85509-98W18-W
40	Insulator Standard [18CG] WT-17/18/26 WT-28/29	85504181-W
41	Collet Ø0,5mm L=50mm [10N21] WT-17/18/26 WT-28/29	85110210-W
	Collet Ø1,0mm L=50mm [10N22] WT-17/18/26 WT-28/29	85110220-W
	Collet Ø1,6mm L=50mm [10N23] WT-17/18/26 WT-28/29	85110230-W
	Collet Ø2,4mm L=50mm [10N24] WT-17/18/26 WT-28/29	85110240-W
	Collet Ø3,2mm L=50mm [10N25] WT-17/18/26 WT-28/29	85110250-W
	Collet Ø4,0mm L=50mm [54N20] WT-17/18/26 WT-28/29	85114200-W
42	Collet Body Ø0,5mm [10N29] WT-17/18/26 WT-28/29	85120290-W
	Collet Body Ø1,0mm [10N30] WT-17/18/26 WT-28/29	85120300-W
	Collet Body Ø1,6mm [10N31] WT-17/18/26 WT-28/29	85120310-W
	Collet Body Ø2,4mm [10N32] WT-17/18/26 WT-28/29	85120320-W
	Collet Body Ø3,2mm [10N28] WT-17/18/26 WT-28/29	85120280-W
	Collet Body Ø4,0mm [406488] WT-17/18/26 WT-28/29	85124880-W
43	Nozzle #4 iØ6,4mm L=47mm [10N50] WT-17/18/26 WT-28/29	85210500-W
	Nozzle #5 iØ8,0mm L=47mm [10N49] WT-17/18/26 WT-28/29	85210490-W
	Nozzle #6 iØ9,6mm L=47mm [10N48] WT-17/18/26 WT-28/29	85210480-W
	Nozzle #7 iØ11,2mm L=47mm [10N47] WT-17/18/26 WT-28/29	85210470-W
	Nozzle #8 iØ12,8mm L=47mm [10N46] WT-17/18/26 WT-28/29	85210460-W
	Nozzle #10 iØ16mm L=47mm [10N45] WT-17/18/26 WT-28/29	85210450-W
	Nozzle #12 iØ19,2mm L=47mm [10N44] WT-17/18/26 WT-28/29	85210440-W
50	Insulator Adaptor [54N01] WT-17/18/26 WT-28/29	85504010-W
52	Gaslens Ø4,0mm [45V29] WT-17/18/26 SW-418 WT-28/29	85134529-W
	Gaslens Ø1,0mm [45V24] WT-17/18/26 SW-418 WT-28/29	85134524-W
	Gaslens Ø1,6mm [45V25] WT-17/18/26 SW-418 WT-28/29	85134525-W
	Gaslens Ø2,4mm [45V26] WT-17/18/26 SW-418 WT-28/29	85134526-W
	Gaslens Ø3,2mm [45V27] WT-17/18/26 SW-418 WT-28/29	85134527-W
	Gaslens Ø4,0mm [45V28] WT-17/18/26 SW-418 WT-28/29	85134528-W
53	Nozzle #4 iØ6,4mm L=42mm [54N18] WT-17/18/26 SW-450 WT-28/29	85254180-W
	Nozzle #5 iØ6,4mm L=42mm [54N17] WT-17/18/26 SW-450 WT-28/29	85254170-W
	Nozzle #6 iØ9,6mm L=42mm [54N16] WT-17/18/26 SW-450 WT-28/29	85254160-W
	Nozzle #8 iØ12,8mm L=42mm [54N14] WT-17/18/26 SW-450 WT-28/29	85254140-W
60	Insulator Gaslens Jumbo [54N63] WT-17/18/26 WT-28/29	85504630-W
62	Gaslens Ø0,5-1,0mm Jumbo [45V0204] WT-17/18/26 SW-418 WT-28/29	85134502-W
	Gaslens Ø1,6mm Jumbo [45V116] WT-17/18/26 SW-418 WT-28/29	85134516-W
	Gaslens Ø2,4mm Jumbo [45V64] WT-17/18/26 WT-28/29	85134564-W
	Gaslens Ø3,2mm Jumbo [995795] WT-17/18/26 WT-28/29	85135795-W
	Gaslens Ø4,0mm Jumbo [45V63] WT-17/18/26 WT-28/29	85134563-W
63	Nozzle #6 iØ9,6mm L=48mm [57N75] WT Jumbo	85257750-W
	Nozzle #8 iØ12,8mm L=48mm [57N74] WT Jumbo	85257740-W
	Nozzle #10 iØ16,0mm L=48mm [53N88] WT Jumbo	85253880-W
	Nozzle #12 iØ19,2mm L=48mm [53N87] WT Jumbo	85253870-W

Components

#	Item description	Part no
1a	Torch Body WT-26 air cooled	85601260
1b	Torch Body WT-26F air cooled	85601262
1c	Torch Body WT-26V air cooled	8560126V
2a	VS-2 turning valve for 9/17er	85511002
2b	O-Ring red [98W77] for torch cap 41V24/33/35	8550904520R

Reproduction and distribution of this publication in any form- even in parts - without prior permission is forbidden.