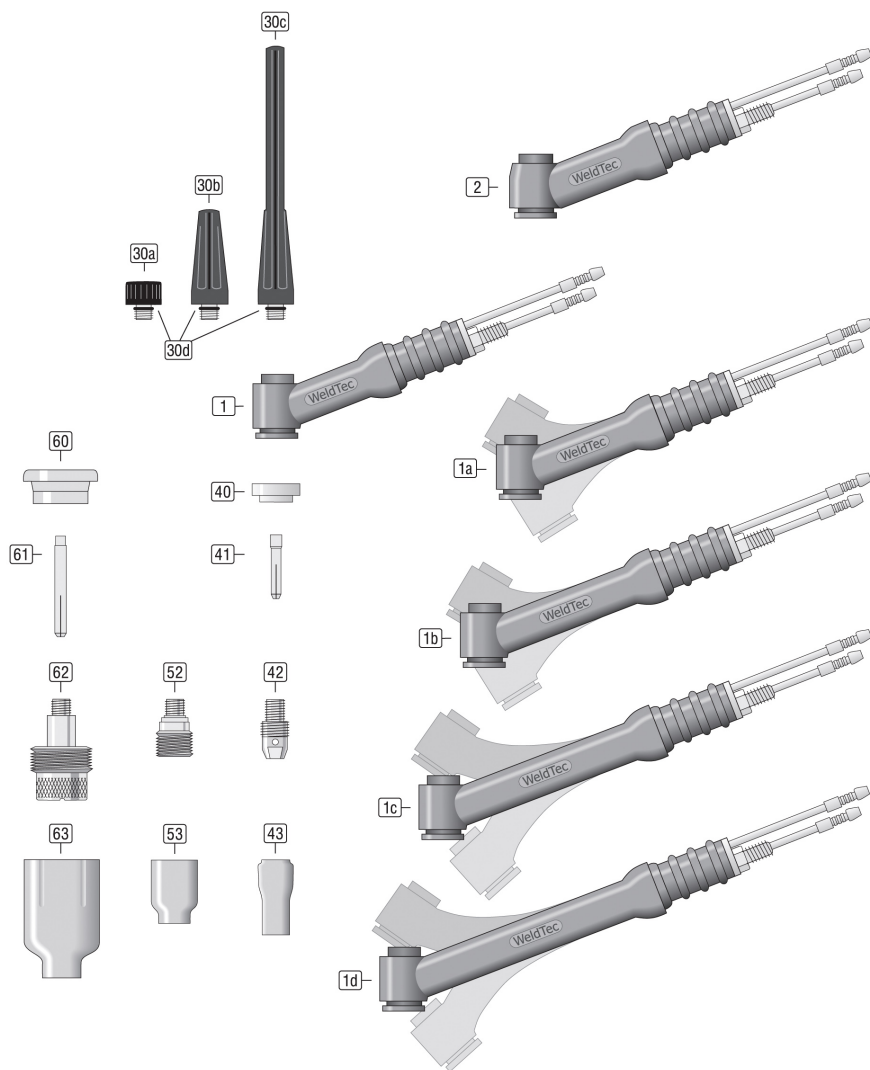




# Hoja de datos

## WT20 WT20F WT20H

**WeldTec**



00.DBL-85601200-1202

01/2022

Prohibidos la reproducción y difusión en cualquier forma,  
incluidos extractos, sin autorización escrita.

© Rohrman Schweißtechnik GmbH - Viersen - Germany - [www.rohrman.de](http://www.rohrman.de) - [info@rohrman.de](mailto:info@rohrman.de)

**Antorchas TIG WT20/ WT20F/ WT20H****Consumibles**

Pos.	Denominación de artículo	Artículo
30a	Tapón corto [41V33] WT-9/20 SW-320	85741330-W
30b	Tapón mediano [41V35] WT-9/20 SW-320	85741350-W
30c	Tapón largo [41V24] WT-9/20 SW-320	85741240-W
30d	Junta tórica [98W77] WT	85509-98W77-W
40	Aislador Standard [598882] WT-9/20/25 SW-320 WT-22/23	85504820-W
41	Porta-Electrodo Ø0,5mm L=25mm [13N20] WT-9/20/25 SW-320 WT-22/23	85113200-W
	Porta-Electrodo Ø1,0mm L=25mm [13N21] WT-9/20/25 SW-320 WT-22/23	85113210-W
	Porta-Electrodo Ø1,6mm L=25mm [13N22] WT-9/20/25 SW-320 WT-22/23	85113220-W
	Porta-Electrodo Ø2,4mm L=25mm [13N23] WT-9/20/25 SW-320 WT-22/23	85113230-W
	Porta-Electrodo Ø3,2mm L=25mm [13N24] WT-9/20/25 SW-320 WT-22/23	85113240-W
42	Difusor de Gas Ø0,5mm [13N25] WT-9/20/25 SW-320 WT-22/23	85123250-W
	Difusor de Gas Ø1,0mm [13N26] WT-9/20/25 SW-320 WT-22/23	85123260-W
	Difusor de Gas Ø1,6mm [13N27] WT-9/20/25 SW-320 WT-22/23	85123270-W
	Difusor de Gas Ø2,4mm [13N28] WT-9/20/25 SW-320 WT-22/23	85123280-W
	Difusor de Gas Ø3,2mm [13N29] WT-9/20/25 SW-320 WT-22/23	85123290-W
43	Boquilla Gas #4 iØ6,4mm L=30mm [13N08] WT-9/20/25 SW-320 WT-22/23	85213080-W
	Boquilla Gas #5 iØ8,0mm L=30mm [13N09] WT-9/20/25 SW-320 WT-22/23	85213090-W
	Boquilla Gas #6 iØ9,6mm L=30mm [13N10] WT-9/20/25 SW-320 WT-22/23	85213100-W
	Boquilla Gas #7 iØ11,2mm L=30mm [13N11] WT-9/20/25 SW-320 WT-22/23	85213110-W
	Boquilla Gas #8 iØ12,8mm L=30mm [13N12] WT-9/20/25 SW-320 WT-22/23	85213120-W
	Boquilla Gas #10 iØ16,0mm L=30mm [13N13] WT-9/20/25 SW-320 WT-22/23	85213130-W
52	Gas-Lens Ø0,5mm [45V41] WT-9/20/24/25 SW-320 WT-22/23	85134541-W
	Gas-Lens Ø1,0mm [45V42] WT-9/20/24/25 SW-320 WT-22/23	85134542-W
	Gas-Lens Ø1,6mm [45V43] WT-9/20/24/25 SW-320 WT-22/23	85134543-W
	Gas-Lens Ø2,4mm [45V44] WT-9/20/24/25 SW-320 WT-22/23	85134544-W
	Gas-Lens Ø3,2mm [45V45] WT-9/20/24/25 SW-320 WT-22/23	85134545-W
53	Boquilla Gas #4 iØ6,4mm L=25mm [53N58] WT-9/20/24/25 SW-320 WT-22/23	85253580-W
	Boquilla Gas #5 iØ8,0mm L=25mm [53N59] WT-9/20/24/25 SW-320 WT-22/23	85253590-W
	Boquilla Gas #6 iØ9,6mm L=25mm [53N60] WT-9/20/24/25 SW-320 WT-22/23	85253600-W
	Boquilla Gas #7 iØ11,2mm L=25mm [53N61] WT-9/20/24/25 SW-320 WT-22/23	85253610-W
60	Aislador Gas-Lens Jumbo [54N63-20] WT-9/20/25 SW-320 WT-22/23	85504632-W
61	Porta-Electrodo Ø1,0mm L=40mm [13N21L] WT-9/20/25 SW-320 WT-22/23	85113214-W
	Porta-Electrodo Ø1,6mm L=40mm [13N22L] WT-9/20/25 SW-320 WT-22/23	85113224-W
	Porta-Electrodo Ø2,4mm L=40mm [13N23L] WT-9/20/25 SW-320 WT-22/23	85113234-W
	Porta-Electrodo Ø3,2mm L=40mm [13N24L] WT-9/20/25 SW-320 WT-22/23	85113244-W
62	Gas-Lens Ø0,5-1,0mm Jumbo [45V0204S] WT-9/20/25 SW-320 WT-22/23	85136504-W
	Gas-Lens Ø1,6mm Jumbo [45V116S] WT-9/20/25 SW-320 WT-22/23	85136516-W
	Gas-Lens Ø2,4mm Jumbo [45V64S] WT-9/20/25 SW-320 WT-22/23	85136564-W
	Gas-Lens Ø3,2mm Jumbo [995795S] WT-9/20/25 SW-320 WT-22/23	85136795-W
63	Boquilla Gas #6 iØ9,6mm L=48mm [57N75] Cerámica, rosa	85257750-W
	Boquilla Gas #8 iØ12,8mm L=48mm [57N74] Cerámica, rosa	85257740-W
	Boquilla Gas #10 iØ16,0mm L=48mm [53N88] WT Jumbo	85253880-W
	Boquilla Gas #12 iØ19,2mm L=48mm [53N87] WT Jumbo	85253870-W

**Repuestos**

Pos.	Denominación de artículo	Artículo
1	Cuello WT-20 refrigeración agua	85601200
1a	Cuello WT-20F refrigeración agua	85601202
1b	Cuello WT-20F3" refrigeración agua	85601203
1c	Cuello WT-20F4" refrigeración agua	85601204
1d	Cuello WT-20F5" refrigeración agua	85601205
2	Cuello WT-20H refrigeración agua	8560120H

Prohibidos la reproducción y difusión en cualquier forma,  
incluidos extractos, sin autorización escrita.

© Rohrman Schweißtechnik GmbH - Viersen - Germany - www.rohrman.de - info@rohrman.de