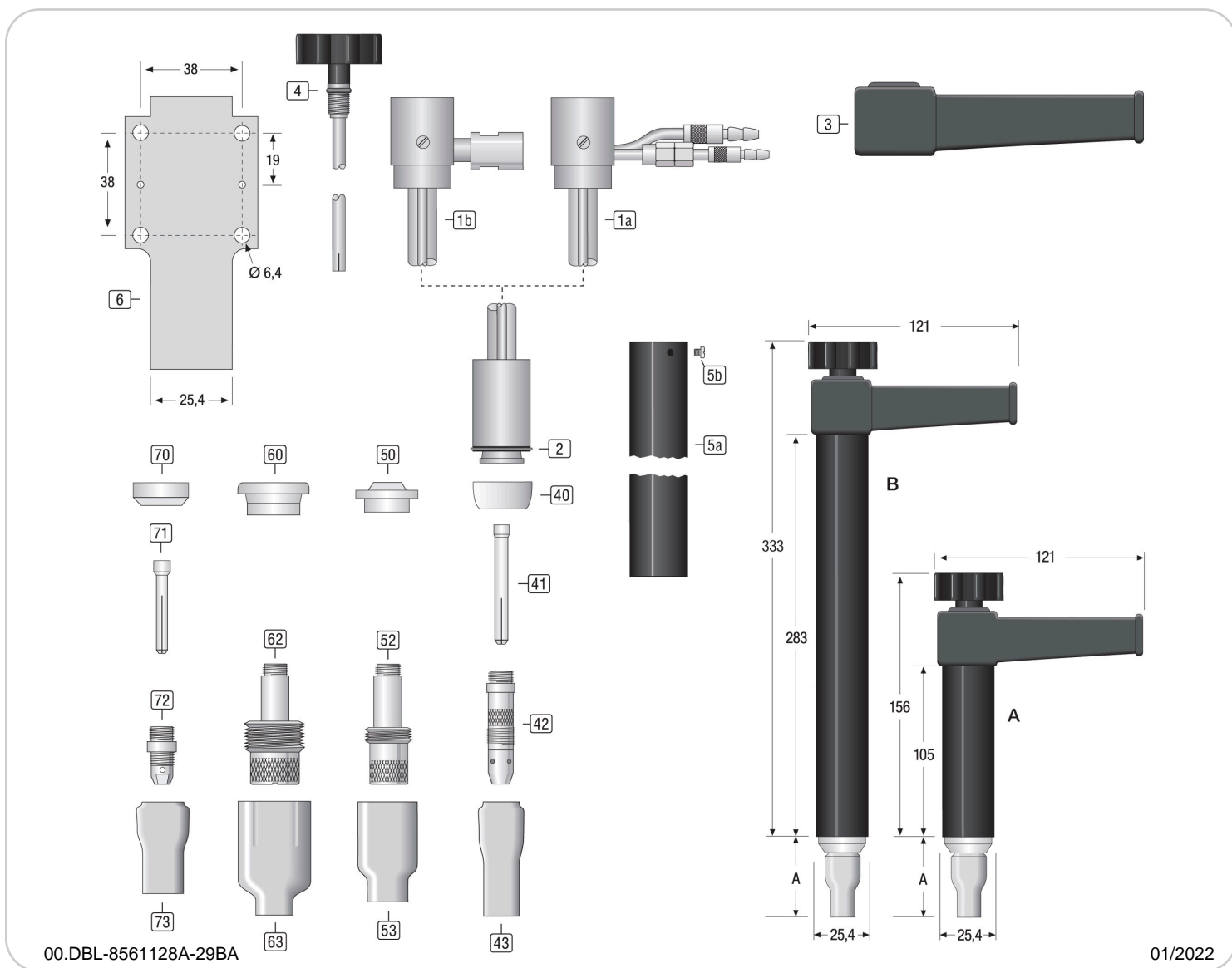




Hoja de datos

WT28AW_BW/ WT29AA_BA

WeldTec



01/2022

Antorchas TIG WT28AW_28BW/ WT29AA_BA**Consumibles**

Pos.	Denominación de artículo	Artículo
40	Aislador estándar [18CG] WT-17/18/26 WT-28/29	85504181-W
41	Porta-Electrodo Ø0,5mm L=50mm [10N21] WT-17/18/26 WT-28/29	85110210-W
	Porta-Electrodo Ø1,0mm L=50mm [10N22] WT-17/18/26 WT-28/29	85110220-W
	Porta-Electrodo Ø1,6mm L=50mm [10N23] WT-17/18/26 WT-28/29	85110230-W
	Porta-Electrodo Ø2,4mm L=50mm [10N24] WT-17/18/26 WT-28/29	85110240-W
	Porta-Electrodo Ø3,2mm L=50mm [10N25] WT-17/18/26 WT-28/29	85110250-W
	Porta-Electrodo Ø4,0mm L=50mm [54N20] WT-17/18/26 WT-28/29	85114200-W
42	Difusor de Gas Ø0,5mm [10N29] WT-17/18/26 WT-28/29	85120290-W
	Difusor de Gas Ø1,0mm [10N30] WT-17/18/26 WT-28/29	85120300-W
	Difusor de Gas Ø1,6mm [10N31] WT-17/18/26 WT-28/29	85120310-W
	Difusor de Gas Ø2,4mm [10N32] WT-17/18/26 WT-28/29	85120320-W
	Difusor de Gas Ø3,2mm [10N28] WT-17/18/26 WT-28/29	85120280-W
	Difusor de Gas Ø4,0mm [406488] WT-17/18/26 WT-28/29	85124880-W
43	Boquilla Gas #4 iØ6,4mm L=47mm [10N50] WT-17/18/26 WT-28/29	85210500-W
	Boquilla Gas #5 iØ8,0mm L=47mm [10N49] WT-17/18/26 WT-28/29	85210490-W
	Boquilla Gas #6 iØ9,6mm L=47mm [10N48] WT-17/18/26 WT-28/29	85210480-W
	Boquilla Gas #7 iØ11,2mm L=47mm [10N47] WT-17/18/26 WT-28/29	85210470-W
	Boquilla Gas #8 iØ12,8mm L=47mm [10N46] WT-17/18/26 WT-28/29	85210460-W
	Boquilla Gas #10 iØ16mm L=47mm [10N45] WT-17/18/26 WT-28/29	85210450-W
	Boquilla Gas #12 iØ19,2mm L=47mm [10N44] WT-17/18/26 WT-28/29	85210440-W
50	Aislador Adaptador [54N01] WT-17/18/26 WT-28/29	85504010-W
52	Gas-Lens Ø4,0mm [45V29] WT-17/18/26 SW-418 WT-28/29	85134529-W
	Gas-Lens Ø1,0mm [45V24] WT-17/18/26 SW-418 WT-28/29	85134524-W
	Gas-Lens Ø1,6mm [45V25] WT-17/18/26 SW-418 WT-28/29	85134525-W
	Gas-Lens Ø2,4mm [45V26] WT-17/18/26 SW-418 WT-28/29	85134526-W
	Gas-Lens Ø3,2mm [45V27] WT-17/18/26 SW-418 WT-28/29	85134527-W
	Gas-Lens Ø4,0mm [45V28] WT-17/18/26 SW-418 WT-28/29	85134528-W
53	Boquilla Gas #4 iØ6,4mm L=42mm [54N18] WT-17/18/26 SW-450 WT-28/29	85254180-W
	Boquilla Gas #5 iØ6,4mm L=42mm [54N17] WT-17/18/26 SW-450 WT-28/29	85254170-W
	Boquilla Gas #6 iØ9,6mm L=42mm [54N16] WT-17/18/26 SW-450 WT-28/29	85254160-W
	Boquilla Gas #8 iØ12,8mm L=42mm [54N14] WT-17/18/26 SW-450 WT-28/29	85254140-W
60	Aislador Gas-Lens Jumbo [54N63] WT-17/18/26 WT-28/29	85504630-W
62	Gas-Lens Ø0,5-1,0mm Jumbo [45V0204] WT-17/18/26 SW-418 WT-28/29	85134502-W
	Gas-Lens Ø1,6mm Jumbo [45V116] WT-17/18/26 SW-418 WT-28/29	85134516-W
	Gas-Lens Ø2,4mm Jumbo [45V64] WT-17/18/26 WT-28/29	85134564-W
	Gas-Lens Ø3,2mm Jumbo [995795] WT-17/18/26 WT-28/29	85135795-W
	Gas-Lens Ø4,0mm Jumbo [45V63] WT-17/18/26 WT-28/29	85134563-W
63	Boquilla Gas #6 iØ9,6mm L=48mm [57N75] Cerámica, rosa	85257750-W
	Boquilla Gas #8 iØ12,8mm L=48mm [57N74] Cerámica, rosa	85257740-W
	Boquilla Gas #10 iØ16,0mm L=48mm [53N88] WT Jumbo	85253880-W
	Boquilla Gas #12 iØ19,2mm L=48mm [53N87] WT Jumbo	85253870-W
70	Aislador Stubby [18CG20] WT-17/18/26 WT-28/29	85504182-W
71	Porta-Electrodo Ø1,6mm L=29,5mm [10N23S] WT-17/18/26 WT-28/29	85110231-W
	Porta-Electrodo Ø2,4mm L=29,5mm [10N24S] WT-17/18/26 WT-28/29	85110241-W
	Porta-Electrodo Ø3,2mm L=29,5mm [10N25S] WT-17/18/26 WT-28/29	85110251-W
72	Carcasa Ø1,0-3,2mm [17CB20] WT-17/18/26 WT-28/29	85122000-W
73	Boquilla Gas #4 iØ6,4mm L=30mm [13N08] WT-9/20/25 SW-320 WT-22/23	85213080-W
	Boquilla Gas #5 iØ8,0mm L=30mm [13N09] WT-9/20/25 SW-320 WT-22/23	85213090-W
	Boquilla Gas #6 iØ9,6mm L=30mm [13N10] WT-9/20/25 SW-320 WT-22/23	85213100-W
	Boquilla Gas #7 iØ11,2mm L=30mm [13N11] WT-9/20/25 SW-320 WT-22/23	85213110-W
	Boquilla Gas #8 iØ12,8mm L=30mm [13N12] WT-9/20/25 SW-320 WT-22/23	85213120-W
	Boquilla Gas #10 iØ16,0mm L=30mm [13N13] WT-9/20/25 SW-320 WT-22/23	85213130-W

Repuestos

Pos.	Denominación de artículo	Artículo
1a	Antorcha Cuello WT28 Modelo A [WT-28AB] refrigeración agua	8561128AW
	Antorcha Cuello WT28 Modelo B [WT-28BB] refrigeración agua	8561128BW
1b	Antorcha Cuello WT29 Model A [WT-29AB] refrigeración aire	8561129AA
	Antorcha Cuello WT29 Modelo B [WT-29BB] refrigeración aire	8561129BA
2	Junta [22-2-4]WT-22/23 WT-28/29	85611Z22-2-4

Prohibidos la reproducción y difusión en cualquier forma,
incluidos extractos, sin autorización escrita.

3	Protección [22-3]WT-22/23 WT-28/29	85611Z22-3A
4	Porta-Electrodo Modelo A [28-2A] WT-28/29	85611Z28-2A
	Porta-Electrodo Modelo B [28-2B] WT-28/29	85611Z28-2B
	Junta [22-2-3]WT-22/23 WT-28/29	85611Z22-2-3
5a	Tubo Aislador Modelo A [22-1A]WT-22/23 WT-28/29	85611Z22-1A
	Tubo Aislador Modelo B [22-1B]WT-22/23 WT-28/29	85611Z22-1B
5b	Set Tornillos [27-10] WT-22/23 WT-28/29 WT-27	85611Z27-10
6	Bloque Modelo [MB]WT-22/23 WT-28/29	85611Z22-MB