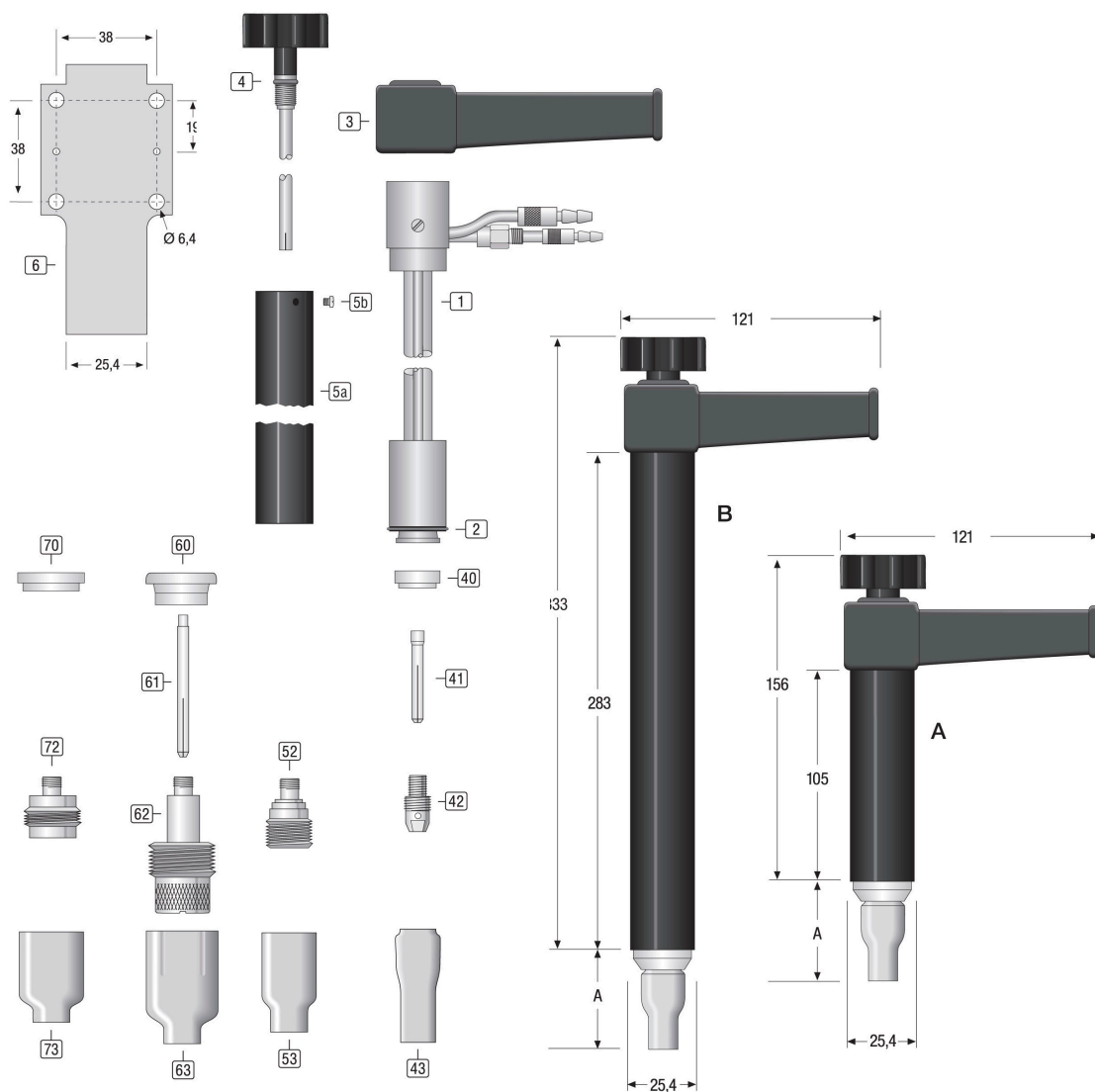


# Hoja de datos

## WT22AW\_BW/ WT23AA\_BA

**WeldTec**



00.DBL-8561122A-23B

01/2022

**Antorchas TIG WT22AW\_BW/ WT23AA\_BA****Consumibles**

Pos.	Denominación de artículo	Artículo
40	Aislador Standard [598882] WT-9/20/25 SW-320 WT-22/23	85504820-W
41	Porta-Electrodo Ø0,5mm L=25mm [13N20] WT-9/20/25 SW-320 WT-22/23	85113200-W
	Porta-Electrodo Ø1,0mm L=25mm [13N21] WT-9/20/25 SW-320 WT-22/23	85113210-W
	Porta-Electrodo Ø1,6mm L=25mm [13N22] WT-9/20/25 SW-320 WT-22/23	85113220-W
	Porta-Electrodo Ø2,4mm L=25mm [13N23] WT-9/20/25 SW-320 WT-22/23	85113230-W
	Porta-Electrodo Ø3,2mm L=25mm [13N24] WT-9/20/25 SW-320 WT-22/23	85113240-W
42	Difusor de Gas Ø0,5mm [13N25] WT-9/20/25 SW-320 WT-22/23	85123250-W
	Difusor de Gas Ø1,0mm [13N26] WT-9/20/25 SW-320 WT-22/23	85123260-W
	Difusor de Gas Ø1,6mm [13N27] WT-9/20/25 SW-320 WT-22/23	85123270-W
	Difusor de Gas Ø2,4mm [13N28] WT-9/20/25 SW-320 WT-22/23	85123280-W
	Difusor de Gas Ø3,2mm [13N29] WT-9/20/25 SW-320 WT-22/23	85123290-W
43	Boquilla Gas #4 iØ6,4mm L=30mm [13N08] WT-9/20/25 SW-320 WT-22/23	85213080-W
	Boquilla Gas #5 iØ8,0mm L=30mm [13N09] WT-9/20/25 SW-320 WT-22/23	85213090-W
	Boquilla Gas #6 iØ9,6mm L=30mm [13N10] WT-9/20/25 SW-320 WT-22/23	85213100-W
	Boquilla Gas #7 iØ11,2mm L=30mm [13N11] WT-9/20/25 SW-320 WT-22/23	85213110-W
	Boquilla Gas #8 iØ12,8mm L=30mm [13N12] WT-9/20/25 SW-320 WT-22/23	85213120-W
	Boquilla Gas #10 iØ16,0mm L=30mm [13N13] WT-9/20/25 SW-320 WT-22/23	85213130-W
52	Gas-Lens Ø0,5mm [45V41] WT-9/20/24/25 SW-320 WT-22/23	85134541-W
	Gas-Lens Ø1,0mm [45V42] WT-9/20/24/25 SW-320 WT-22/23	85134542-W
	Gas-Lens Ø1,6mm [45V43] WT-9/20/24/25 SW-320 WT-22/23	85134543-W
	Gas-Lens Ø2,4mm [45V44] WT-9/20/24/25 SW-320 WT-22/23	85134544-W
	Gas-Lens Ø3,2mm [45V45] WT-9/20/24/25 SW-320 WT-22/23	85134545-W
53	Boquilla Gas #4 iØ6,4mm L=25mm [53N58] WT-9/20/24/25 SW-320 WT-22/23	85253580-W
	Boquilla Gas #5 iØ8,0mm L=25mm [53N59] WT-9/20/24/25 SW-320 WT-22/23	85253590-W
	Boquilla Gas #6 iØ9,6mm L=25mm [53N60] WT-9/20/24/25 SW-320 WT-22/23	85253600-W
	Boquilla Gas #7 iØ11,2mm L=25mm [53N61] WT-9/20/24/25 SW-320 WT-22/23	85253610-W
60	Aislador Gas-Lens Jumbo [54N63-20] WT-9/20/25 SW-320 WT-22/23	85504632-W
61	Porta-Electrodo Ø1,0mm L=40mm [13N21L] WT-9/20/25 SW-320 WT-22/23	85113214-W
	Porta-Electrodo Ø1,6mm L=40mm [13N22L] WT-9/20/25 SW-320 WT-22/23	85113224-W
	Porta-Electrodo Ø2,4mm L=40mm [13N23L] WT-9/20/25 SW-320 WT-22/23	85113234-W
	Porta-Electrodo Ø3,2mm L=40mm [13N24L] WT-9/20/25 SW-320 WT-22/23	85113244-W
62	Gas-Lens Ø0,5-1,0mm Jumbo [45V0204S] WT-9/20/25 SW-320 WT-22/23	85136504-W
	Gas-Lens Ø1,6mm Jumbo [45V116S] WT-9/20/25 SW-320 WT-22/23	85136516-W
	Gas-Lens Ø2,4mm Jumbo [45V64S] WT-9/20/25 SW-320 WT-22/23	85136564-W
	Gas-Lens Ø3,2mm Jumbo [995795S] WT-9/20/25 SW-320 WT-22/23	85136795-W
63	Boquilla Gas #6 iØ9,6mm L=48mm [57N75] Cerámica, rosa	85257750-W
	Boquilla Gas #8 iØ12,8mm L=48mm [57N74] Cerámica, rosa	85257740-W
	Boquilla Gas #10 iØ16,0mm L=48mm [53N88] WT Jumbo	85253880-W
	Boquilla Gas #12 iØ19,2mm L=48mm [53N87] WT Jumbo	85253870-W
70	Aislador Gas-Lens mediano [598320] WT-9/20/25 SW-320 WT-22/23	85504832-W
72	Gas-Lens Ø1,0mm con [45V34SW] WT-9/20/25 SW-320 WT-22/23	85134534-W
	Gas-Lens Ø1,6mm con [45V35SW] WT-9/20/25 SW-320 WT-22/23	85134535-W
	Gas-Lens Ø2,4mm con [45V36SW] WT-9/20/25 SW-320 WT-22/23	85134536-W
	Gas-Lens Ø3,2mm con [45V37SW] WT-9/20/25 SW-320 WT-22/23	85134537-W
73	Boquilla Gas #6 iØ9,6mm L=33mm [54N16SW] WT Medium	85254160S-W
	Boquilla Gas #7 iØ11,2mm L=33mm [54N15SW] WT Medium	85254150S-W
	Boquilla Gas #8 iØ12,8mm L=33mm [54N14SW] WT Medium	85254140S-W
	Boquilla Gas #10 iØ16,0mm L=33mm [54N12SW] WT Medium	85254120S-W

**Repuestos**

Pos.	Denominación de artículo	Artículo
1a	Antorcha Cuello WT22 Model A [WT-22AB] refrigeración agua	8561122AW
	Antorcha Cuello WT22 Modelo B [WT-22BB] refrigeración agua	8561122BW
1b	Antorcha Cuello WT23 Modelo A [WT-23AB] refrigeración aire	8561123AA
	Antorcha Cuello WT23 Model B [WT-23BB] refrigeración aire	8561123BA
2	Junta [22-2-4]WT-22/23 WT-28/29	85611Z22-2-4
3	Protección [22-3]WT-22/23 WT-28/29	85611Z22-3A
4	Porta-Electrodo Modelo A [22-2A]WT-22/23	85611Z22-2A
	Porta-Electrodo Modelo B [22-2B]WT-22/23	85611Z22-2B
	Junta [22-2-3]WT-22/23 WT-28/29	85611Z22-2-3

Prohibidos la reproducción y difusión en cualquier forma,  
incluidos extractos, sin autorización escrita.

5a	Tubo Aislador Modelo A [22-1A]WT-22/23 WT-28/29	85611Z22-1A
	Tubo Aislador Modelo B [22-1B]WT-22/23 WT-28/29	85611Z22-1B
5b	Set Tornillos [27-10] WT-22/23 WT-28/29 WT-27	85611Z27-10
6	Bloque Modelo [MB]WT-22/23 WT-28/29	85611Z22-MB