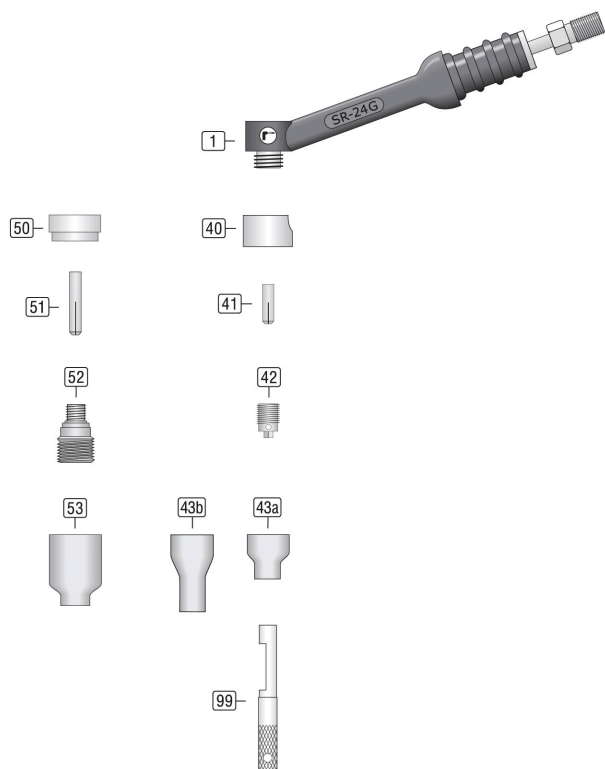




Hoja de datos

SR24G



00.DBL-8560024G-024G

02-2022

Antorchas TIG SR24G

Consumibles

Pos.	Denominación de artículo	Artículo
40	Aislador Teflon [53N22] SR-24G/24W	85504222
41	Porta-Electrodo Ø0,5mm L=14mm [53N15] SR-24/24W	85113150
	Porta-Electrodo Ø1,0mm L=14mm [53N16] SR-24/24W	85113160
	Porta-Electrodo Ø1,6mm L=14mm [53N14] SR-24/24W	85113140
	Porta-Electrodo Ø2,4mm L=14mm [24C332] SR-24/24W	85113320
42	Difusor de Gas Ø0,5mm [53N17] SR-24/24W	85123170
	Difusor de Gas Ø1,0mm [53N18] SR-24/24W	85123180
	Difusor de Gas Ø1,6mm [53N19] SR-24/24W	85123190
	Difusor de Gas Ø2,4mm [24CB332] SR-24/24W	85123320
43a	Boquilla Gas #4 iØ6,4mm L=16,5mm [53N24] cerámica, rosa	85253240
	Boquilla Gas #5 iØ8,0mm L=16,5mm [53N25] cerámica, rosa	85253250
	Boquilla Gas #6 iØ9,6mm L=16,5mm [53N27] cerámica, rosa	85253270
43b	Boquilla Gas #4 iØ6,4mm L=29mm [53N28] cerámica, rosa	85253280
	Boquilla Gas #6 iØ9,6mm L=29mm [53N26] cerámica, rosa	85253260
50	Aislador Gas-Lens estándar [53N66] SR-24G/24W	85504660
51	Porta-Electrodo Ø0,5mm L=23mm [53N62] SR-24/24W	85113620
	Porta-Electrodo Ø1,0mm L=23mm [53N63] SR-24/24W	85113630
	Porta-Electrodo Ø1,6mm L=23mm [53N64] SR-24/24W	85113640
	Porta-Electrodo Ø2,4mm L=23mm [24GLC332] SR-24/24W	85113323
52	Gas-Lens Ø0,5mm [45V41] SR-9/20/24/25 RP-160L/320W	85134541
	Gas-Lens Ø1,0mm [45V42] SR-9/20/24/25 RP-160L/320W	85134542
	Gas-Lens Ø1,6mm [45V43] SR-9/20/24/25 RP-160L/320W	85134543
	Gas-Lens Ø2,4mm [45V44] SR-9/20/24/25 RP-160L/320W	85134544
53	Boquilla Gas #4 iØ6,4mm L=25mm [53N58] cerámica, rosa	85253580
	Boquilla Gas #5 iØ8,0mm L=25mm [53N59] cerámica, rosa	85253590
	Boquilla Gas #6 iØ9,6mm L=25mm [53N60] cerámica, rosa	85253600
	Boquilla Gas #7 iØ11,2mm L=25mm [53N61] cerámica, rosa	85253610
	Boquilla Gas #8 iØ12,8mm L=25mm [53N61S] cerámica rosa	85253612
99	Llave de tensión [53N20] WT-24/60/125	85521002

Repuestos

Pos.	Denominación de artículo	Artículo
1	Cuello SR-24 refrigerado por aire	8560024G