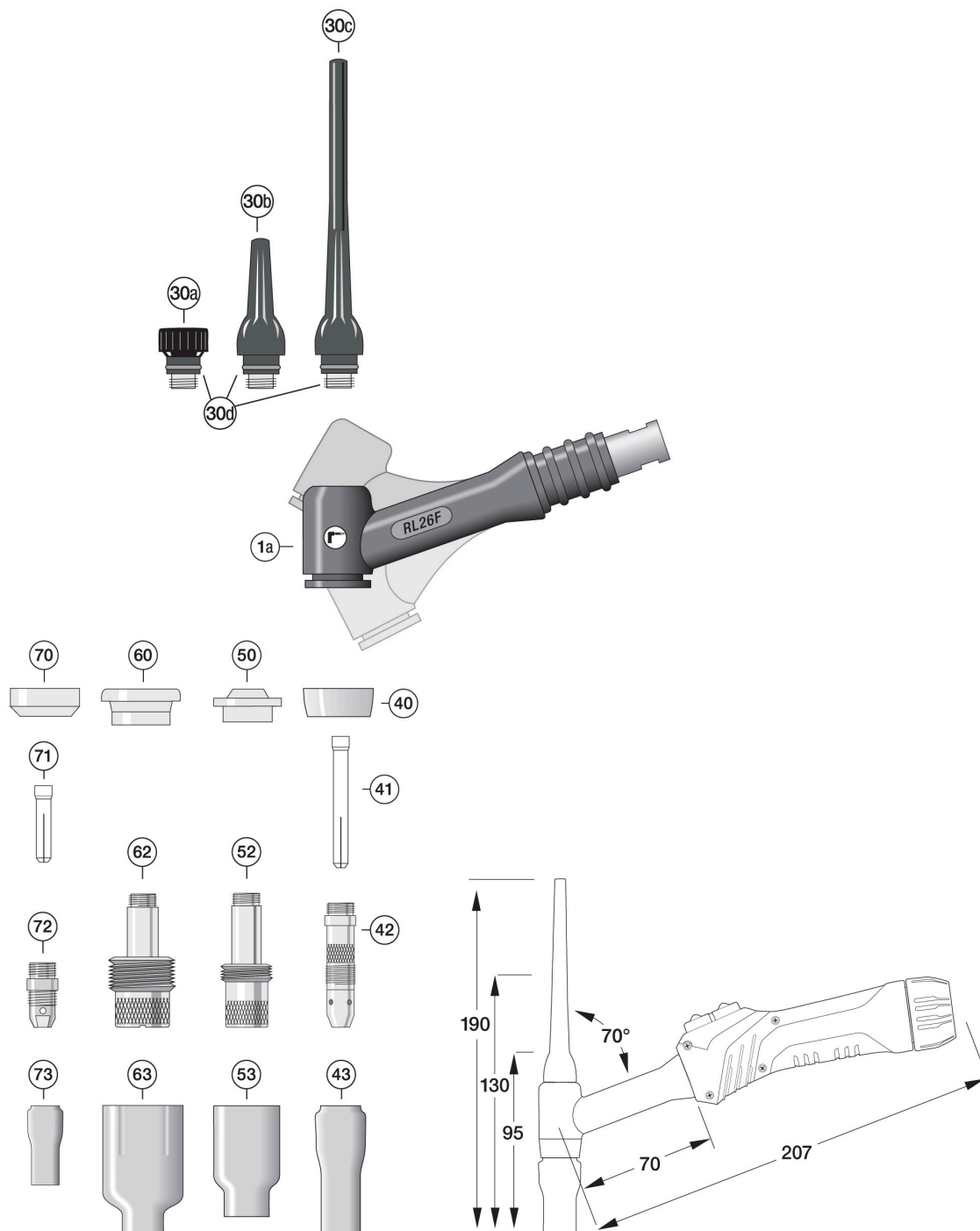




Hoja de datos

RL26F



00.DBL-8560R262-R262

02-2022

Antorcha TIG RL26F**Consumibles**

Pos.	Denominación de artículo	Artículo
30a	Tapón corto [57Y04] SR-17/18/18SC/26	85757040
30b	Tapón mediano [57Y03] SR-17/18/18SC/26	85757030
30c	Tapón largo [57Y02]SR-17/18/18SC/26	85757020
30d	Junta rojo [98W18] para tapón antorcha 57Y02/03/04	8550908017R
40	Aislador estándar [18CG] SR-17/18/26	85504181
41	Porta-Electrodo Ø0,5mm L=50mm [10N21] SR-17/18/26	85110210
	Porta-Electrodo Ø1,0mm L=50mm [10N22] SR-17/18/26	85110220
	Porta-Electrodo Ø1,6mm L=50mm [10N23] SR-17/18/26	85110230
	Porta-Electrodo Ø2,4mm L=50mm [10N24] SR-17/18/26	85110240
	Porta-Electrodo Ø3,2mm L=50mm [10N25] SR-17/18/26	85110250
	Porta-Electrodo Ø4,0mm L=50mm [54N20] SR-17/18/26	85114200
42	Difusor de Gas Ø0,5mm [10N29] SR-17/18/26	85120290
	Difusor de Gas Ø1,0mm [10N30] SR-17/18/26	85120300
	Difusor de Gas Ø1,6mm [10N31] SR-17/18/26	85120310
	Difusor de Gas Ø2,4mm [10N32] SR-17/18/26	85120320
	Difusor de Gas Ø3,2mm [10N28] SR-17/18/26	85120280
	Difusor de Gas Ø4,0mm [406488] SR-17/18/26	85124880
43	Boquilla Gas #4 iØ6,4mm L=47mm [10N50] Cerámica rosa	85210500
	Boquilla Gas #5 iØ8,0mm L=47mm [10N49] Cerámica rosa	85210490
	Boquilla Gas #6 iØ9,6mm L=47mm [10N48] Cerámica, rosa	85210480
	Boquilla Gas #7 iØ11,2mm L=47mm [10N47] Cerámica, rosa	85210470
	Boquilla Gas #8 iØ12,8mm L=47mm [10N46] Cerámica rosa	85210460
	Boquilla Gas #10 iØ16mm L=47mm [10N45] Cerámica rosa	85210450
	Boquilla Gas #12 iØ19,2mm L=47mm [10N44] Cerámica rosa	85210440
50	Aislador [54N01] SR-17/18/26	85504010
52	Gas-Lens Ø1,0mm [45V24] SR-17/18/26	85134524
	Gas-Lens Ø1,6mm [45V25] SR-17/18/26	85134525
	Gas-Lens Ø2,4mm [45V26] SR-17/18/26	85134526
	Gas-Lens Ø3,2mm [45V27] SR-17/18/26	85134527
	Gas-Lens Ø4,0mm [45V28] SR-17/18/26	85134528
53	Boquilla Gas #4 iØ6,4mm L=42mm [54N18] Cerámica, rosa	85254180
	Boquilla Gas #5 iØ8,0mm L=42mm [54N17] Cerámica, rosa	85254170
	Boquilla Gas #6 iØ9,6mm L=42mm [54N16] Cerámica, rosa	85254160
	Boquilla Gas #7 iØ11,2mm L=42mm [54N15] Cerámica, rosa	85254150
	Boquilla Gas #8 iØ12,8mm L=42mm [54N14] Cerámica, rosa	85254140
	Boquilla Gas #10 iØ16,0mm L=42mm [54N12] Cerámica, rosa	85254120
	Boquilla Gas #12 iØ19,2mm L=42mm [54N10] Cerámica, rosa	85254100
60	Aislador Gas-Lens Jumbo [54N63] SR-17/18/26	85504630
62	Gas-Lens Ø1,0mm Jumbo [45V0204] SR-17/18/26	85134502
	Gas-Lens Ø1,6mm Jumbo [45V116] SR-17/18/26	85134516
	Gas-Lens Ø2,4mm Jumbo [45V64] SR-17/18/26	85134564
	Gas-Lens Ø3,2mm Jumbo [995795] SR-17/18/26	85135795
	Gas-Lens Ø4,0mm Jumbo [45V63] SR-17/18/26	85134563
63	Boquilla Gas #6 iØ9,6mm L=48mm [57N75] Cerámica, rosa	85257750
	Boquilla Gas #8 iØ12,8mm L=48mm [57N74] Cerámica, rosa	85257740
	Boquilla Gas #10 iØ16,0mm L=48mm [53N88] Cerámica, rosa	85253880
	Boquilla Gas #12 iØ19,2mm L=48mm [53N87] Cerámica, rosa	85253870
	Boquilla Gas #15 iØ24,0mm L=48mm [53N89] cerámica, rosa	85253890
70	Aislador [18CG20] SR-17/18/26	85504182
71	Porta-Electrodo Ø1,0mm L=29,5mm [10N22S] SR-17/18/26	85110221
	Porta-Electrodo Ø1,6mm L=29,5mm [10N23S] SR-17/18/26	85110231
	Porta-Electrodo Ø2,4mm L=29,5mm [10N24S] SR-17/18/26	85110241
	Porta-Electrodo Ø3,2mm L=29,5mm [10N25S] SR-17/18/26	85110251
72	Carcasa Ø1,6-3,2mm [17CB20] SR-17/18/26	85122000
73	Boquilla Gas #4 iØ6,4mm L=30mm [13N08] cerámica, rosa	85213080
	Boquilla Gas #5 iØ8,0mm L=30mm [13N09] cerámica, rosa	85213090
	Boquilla Gas #6 iØ9,6mm L=30mm [13N10] cerámica, rosa	85213100
	Boquilla Gas #7 iØ11,2mm L=30mm [13N11] cerámica, rosa	85213110
	Boquilla Gas #8 iØ12,8mm L=30mm [13N12] cerámica, rosa	85213120

Prohibidos la reproducción y difusión en cualquier forma,

© Rohrman Schweißtechnik GmbH - Viersen - Germany - www.rohrman.de - info@rohrman.de

Repuestos

Pos.	Denominación de artículo	Artículo
1a	Cuello RL26F refrigerado por aire	8560R26F