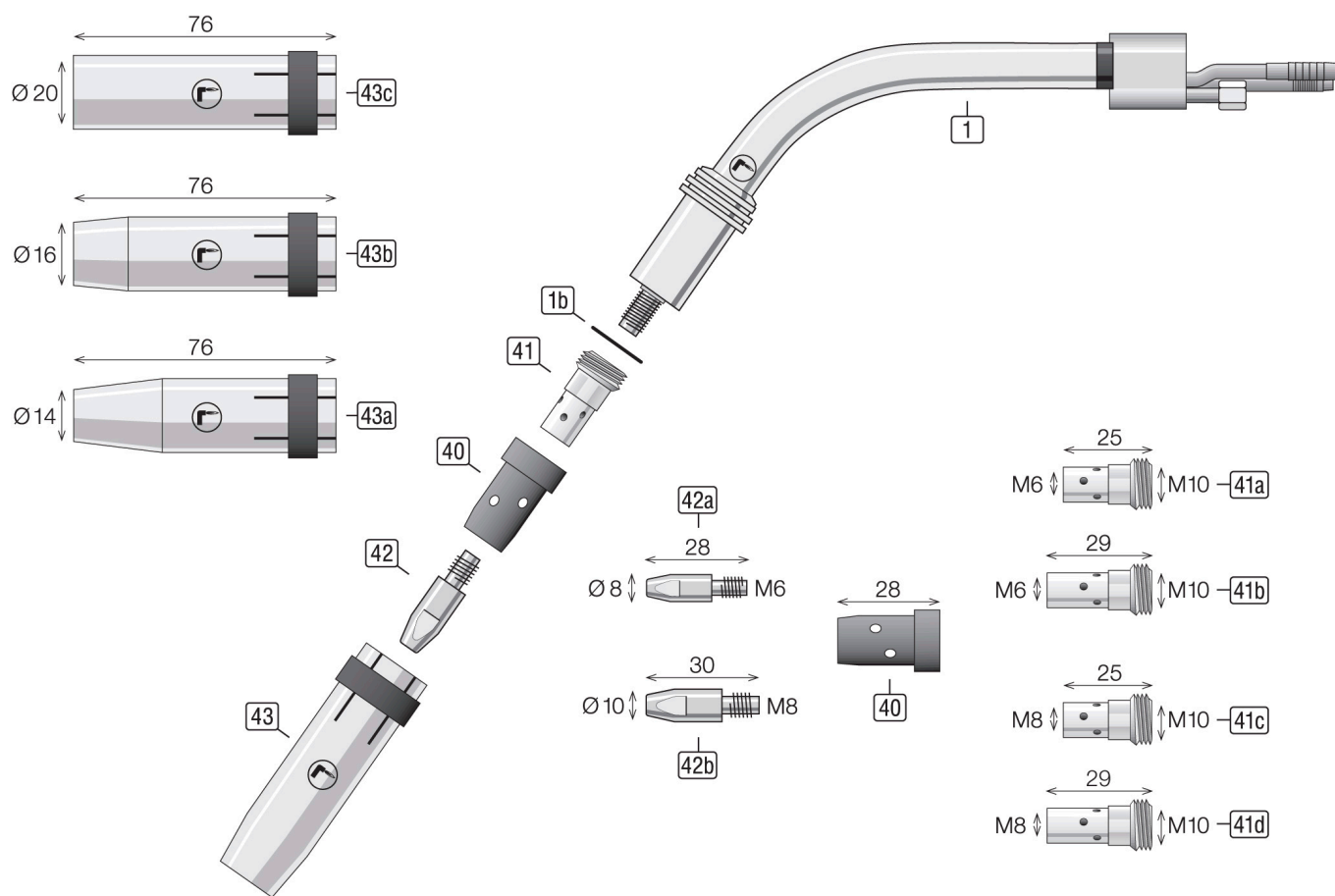




# Hoja de datos

## Antorcha M 401 EP



00.DBL-MBH401

neu

## Repuestos

Pos.	Denominación de artículo	Artículo
1	Cuello MEP-401 refrig. por agua	MBH401
1b	Arandela aislante 20x9,5x1 401/501	MIS

## Consumibles

Pos.	Denominación de artículo	Artículo
40	Difusor Gas blanco Standard MEP-350/401/501/551	MGV401W
	Difusor Gas Cerámica MEP-350/401/501/551	MGV401K
41a	Portaboquillas M6 L=25mm MEP-350/401/501	MDSM10-M6X25
41b	Portaboquillas M6 L=29mm MEP-350/401/501	MDSM10-M6X29
41c	Portaboquillas M8 L=25mm Standard MEP-350/401/501/550SC	MDSM10-M8X25
41d	Portaboquillas M8 L=29mm MEP-350/401/501/550SC	MDSM10-M8X29
42	Punta Contacto E-Cu M6 L=28mm Ø0,8mm MEP-240/241/250/260/351	MSDECUM6X28-08
	Punta Contacto E-Cu M6 L=28mm Ø1,0mm MEP-240/241/250/260/351	MSDECUM6X28-10
	Punta Contacto E-Cu M6 L=28mm Ø1,2mm MEP-240/241/250/260/351	MSDECUM6X28-12
	Punta Contacto E-Cu M6 L=28mm Ø0,8mm Alu MEP-240/241/250/260/351	MSDECUM6X28-08A
	Punta Contacto E-Cu M6 L=28mm Ø1,0mm Alu MEP-240/241/250/260/351	MSDECUM6X28-10A
	Punta Contacto E-Cu M6 L=28mm Ø1,2mm Alu MEP-240/241/250/260/351	MSDECUM6X28-12A
	Punta Contacto E-Cu Ni M6 L=28mm Ø0,8mm MEP-240/241/250/260/351	MSDECNM6X28-08
	Punta Contacto E-Cu Ni M6 L=28mm Ø1,0mm MEP-240/241/250/260/351	MSDECNM6X28-10
	Punta Contacto E-Cu Ni M6 L=28mm Ø1,2mm MEP-240/241/250/260/351	MSDECNM6X28-12
	Punta Contacto CuCrZr M6 L=28mm Ø0,8mm MEP-240/241/250/260/351	MSDCCZM6X28-08
	Punta Contacto CuCrZr M6 L=28mm Ø0,9mm MEP-240/241/250/260/351	MSDCCZM6X28-09
	Punta Contacto CuCrZr M6 L=28mm Ø1,0mm MEP-240/241/250/260/351	MSDCCZM6X28-10
	Punta Contacto CuCrZr M6 L=28mm Ø1,2mm MEP-240/241/250/260/351	MSDCCZM6X28-12
42b	Punta Contacto E-Cu M8 L=30mm Ø0,8mm MEP-350/360/401/501/551	MSDECUM8X30-08
	Punta Contacto E-Cu M8 L=30mm Ø1,0mm MEP-350/360/401/501/551	MSDECUM8X30-10
	Punta Contacto E-Cu M8 L=30mm Ø1,2mm MEP-350/360/401/501/551	MSDECUM8X30-12
	Punta Contacto E-Cu M8 L=30mm Ø1,4mm MEP-350/360/401/501/551	MSDECUM8X30-14
	Punta Contacto E-Cu M8 L=30mm Ø1,6mm MEP-350/360/401/501/551	MSDECUM8X30-16
	Punta Contacto E-Cu M8 L=30mm Ø2,0mm MEP-350/360/401/501/551	MSDECUM8X30-20
	Punta Contacto E-Cu M8 L=30mm Ø2,4mm MEP-350/360/401/501/551	MSDECUM8X30-24
	Punta Contacto E-Cu M8 L=30mm Ø0,8mm Alu MEP-350/360/401/501/551	MSDECUM8X30-08A
	Punta Contacto E-Cu M8 L=30mm Ø1,0mm Alu MEP-350/360/401/501/551	MSDECUM8X30-10A
	Punta Contacto E-Cu M8 L=30mm Ø1,2mm Alu MEP-350/360/401/501/551	MSDECUM8X30-12A
	Punta Contacto E-Cu M8 L=30mm Ø1,6mm Alu MEP-350/360/401/501/551	MSDECUM8X30-16A
	Punta Contacto E-Cu Ni M8 L=30mm Ø0,8mm MEP-350/360/401/501/551	MSDECNM8X30-08
	Punta Contacto E-Cu Ni M8 L=30mm Ø1,0mm MEP-350/360/401/501/551	MSDECNM8X30-10
	Punta Contacto E-Cu Ni M8 L=30mm Ø1,2mm MEP-350/360/401/501/551	MSDECNM8X30-12
	Punta Contacto CuCrZr M8 L=30mm Ø0,8mm MEP-350/360/401/501/551	MSDCCZM8X30-08
	Punta Contacto CuCrZr M8 L=30mm Ø1,0mm MEP-350/360/401/501/551	MSDCCZM8X30-10
	Punta Contacto CuCrZr M8 L=30mm Ø1,2mm MEP-350/360/401/501/551	MSDCCZM8X30-12
	Punta Contacto CuCrZr M8 L=30mm Ø1,4mm MEP-350/360/401/501/551	MSDCCZM8X30-14
	Punta Contacto CuCrZr M8 L=30mm Ø1,6mm MEP-350/360/401/501/551	MSDCCZM8X30-16
	Punta Contacto CuCrZr M8 L=30mm Ø2,0mm MEP-350/360/401/501/551	MSDCCZM8X30-20
	Punta Contacto CuCrZr M8 L=30mm Ø2,4mm MEP-350/360/401/501/551	MSDCCZM8X30-24
43a	Tobera de gas Ø14 L=76mm cónica MEP-260/350/401/501/551	MGDK401-140
43b	Tobera de gas Ø16,0 L=76mm cónico MEP-260/350/401/501/551	MGDK401-160
43c	Tobera de gas Ø20,0 L=76mm cilíndrica MEP-350/401/501/550	MGDZ401-200
	Tobera Gas Punta Ø20,0 L=85mm MEP-260/350/401/501/551	MGDP401-200