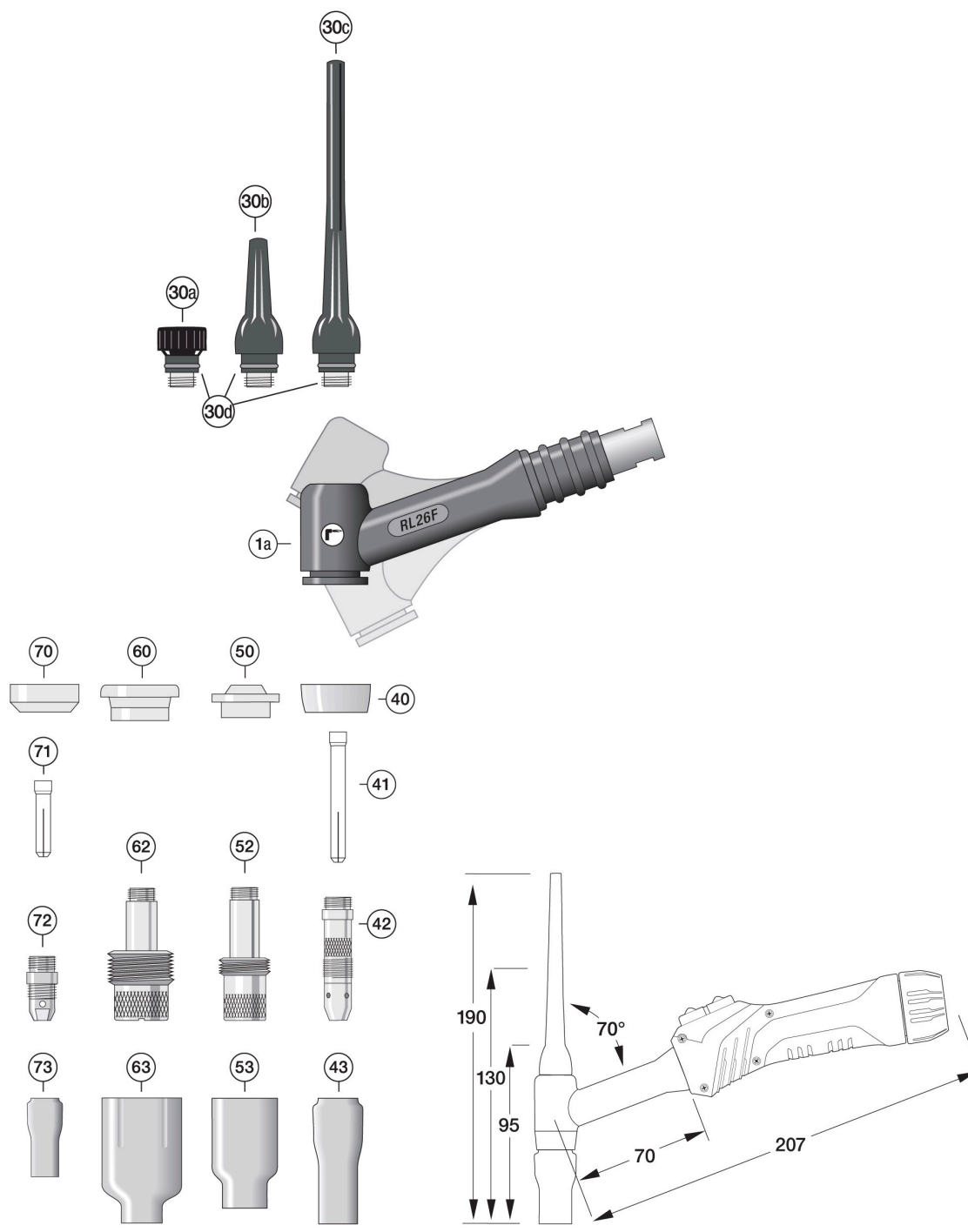




Data Sheet

RL26F



00.DBL-8560R262-R262

02-2022

Reproduction and distribution of this publication in any form- even in parts - without prior permission is forbidden.

© Rohrman Schweißtechnik GmbH - Viersen - Germany - www.rohrman.de - info@rohrman.de

TIG Torch RL26F**Wearing parts**

#	Item description	Part no
30a	Back Cap short [57Y04] SR-17/18/18SC/26	85757040
30b	Back Cap medium [57Y03] SR-17/18/18SC/26	85757030
30c	Back Cap long [57Y02] SR-17/18/18SC/26	85757020
30d	O-Ring red [98W18] for torch cap 57Y02/03/04	8550908017R
40	Insulator Standard [18CG] SR-17/18/26	85504181
41	Collet Ø0,5mm L=50mm [10N21] SR-17/18/26	85110210
	Collet Ø1,0mm L=50mm [10N22] SR-17/18/26	85110220
	Collet Ø1,6mm L=50mm [10N23] SR-17/18/26	85110230
	Collet Ø2,4mm L=50mm [10N24] SR-17/18/26	85110240
	Collet Ø3,2mm L=50mm [10N25] SR-17/18/26	85110250
	Collet Ø4,0mm L=50mm [54N20] SR-17/18/26	85114200
42	Collet Body Ø0,5mm [10N29] SR-17/18/26	85120290
	Collet Body Ø1,0mm [10N30] SR-17/18/26	85120300
	Collet Body Ø1,6mm [10N31] SR-17/18/26	85120310
	Collet Body Ø2,4mm [10N32] SR-17/18/26	85120320
	Collet Body Ø3,2mm [10N28] SR-17/18/26	85120280
	Collet Body Ø4,0mm [406488] SR-17/18/26	85124880
43	Nozzle #4 iØ6,4mm L=47mm [10N50] ceramic rose	85210500
	Nozzle #5 iØ8,0mm L=47mm [10N49] ceramic rose	85210490
	Nozzle #6 iØ9,6mm L=47mm [10N48] ceramic rose	85210480
	Nozzle #7 iØ11,2mm L=47mm [10N47] ceramic, rose	85210470
	Nozzle #8 iØ12,8mm L=47mm [10N46] ceramic rose	85210460
	Nozzle #10 iØ16mm L=47mm [10N45] ceramic rose	85210450
	Nozzle #12 iØ19,2mm L=47mm [10N44] ceramic, rose	85210440
50	Insulator [54N01] SR-17/18/26	85504010
52	Gaslens Ø1,0mm [45V24] SR-17/18/26	85134524
	Gaslens Ø1,6mm [45V25] SR-17/18/26	85134525
	Gaslens Ø2,4mm [45V26] SR-17/18/26	85134526
	Gaslens Ø3,2mm [45V27] SR-17/18/26	85134527
	Gaslens Ø4,0mm [45V28] SR-17/18/26	85134528
53	Nozzle #4 iØ6,4mm L=42mm [54N18] ceramic, rose	85254180
	Nozzle #5 iØ8,0mm L=42mm [54N17] ceramic, rose	85254170
	Nozzle #6 iØ9,6mm L=42mm [54N16] ceramic, rose	85254160
	Nozzle #7 iØ11,2mm L=42mm [54N15] ceramic, rose	85254150
	Nozzle #8 iØ12,8mm L=42mm [54N14] ceramic, rose	85254140
	Nozzle #10 iØ16,0mm L=42mm [54N12] ceramic, rose	85254120
	Nozzle #12 iØ19,2mm L=42mm [54N10] ceramic, rose	85254100
60	Insulator Gaslens Jumbo [54N63] SR-17/18/26	85504630
62	Gaslens Ø1,0mm Jumbo [45V0204] SR-17/18/26	85134502
	Gaslens Ø1,6mm Jumbo [45V116] SR-17/18/26	85134516
	Gaslens Ø2,4mm Jumbo [45V64] SR-17/18/26	85134564
	Gaslens Ø3,2mm Jumbo [995795] SR-17/18/26	85135795
	Gaslens Ø4,0mm Jumbo [45V63] SR-17/18/26	85134563
63	Nozzle #6 iØ9,6mm L=48mm [57N75] ceramic, rose	85257750
	Nozzle #8 iØ12,8mm L=48mm [57N74] ceramic, rose	85257740
	Nozzle #10 iØ16,0mm L=48mm [53N88] ceramic, rose	85253880
	Nozzle #12 iØ19,2mm L=48mm [53N87] ceramic, rose	85253870
	Nozzle #15 iØ24,0mm L=48mm [53N89] ceramic, rose	85253890
70	Insulator [18CG20] SR-17/18/26	85504182
71	Collet Ø1,0mm L=29,5mm [10N22S]SR-17/18/26	85110221
	Collet Ø1,6mm L=29,5mm [10N23S] SR-17/18/26	85110231
	Collet Ø2,4mm L=29,5mm [10N24S] SR-17/18/26	85110241
	Collet Ø3,2mm L=29,5mm [10N25S] SR-17/18/26	85110251
72	Collet Body Ø1,6-3,2mm [17CB20] SR-17/18/26	85122000
73	Nozzle #4 iØ6,4mm L=30mm [13N08] ceramic, rose	85213080
	Nozzle #5 iØ8,0mm L=30mm [13N09] ceramic, rose	85213090
	Nozzle #6 iØ9,6mm L=30mm [13N10] ceramic, rose	85213100
	Nozzle #7 iØ11,2mm L=30mm [13N11] ceramic, rose	85213110
	Nozzle #8 iØ12,8mm L=30mm [13N12] ceramic, rose	85213120

Reproduction and distribution of this publication in any form- even in parts - without prior permission is forbidden.

© Rohrman Schweißtechnik GmbH - Viersen - Germany - www.rohrman.de - info@rohrman.de

Components

#	Item description	Part no
1a	Torchbody RL26F air cooled	8560R26F