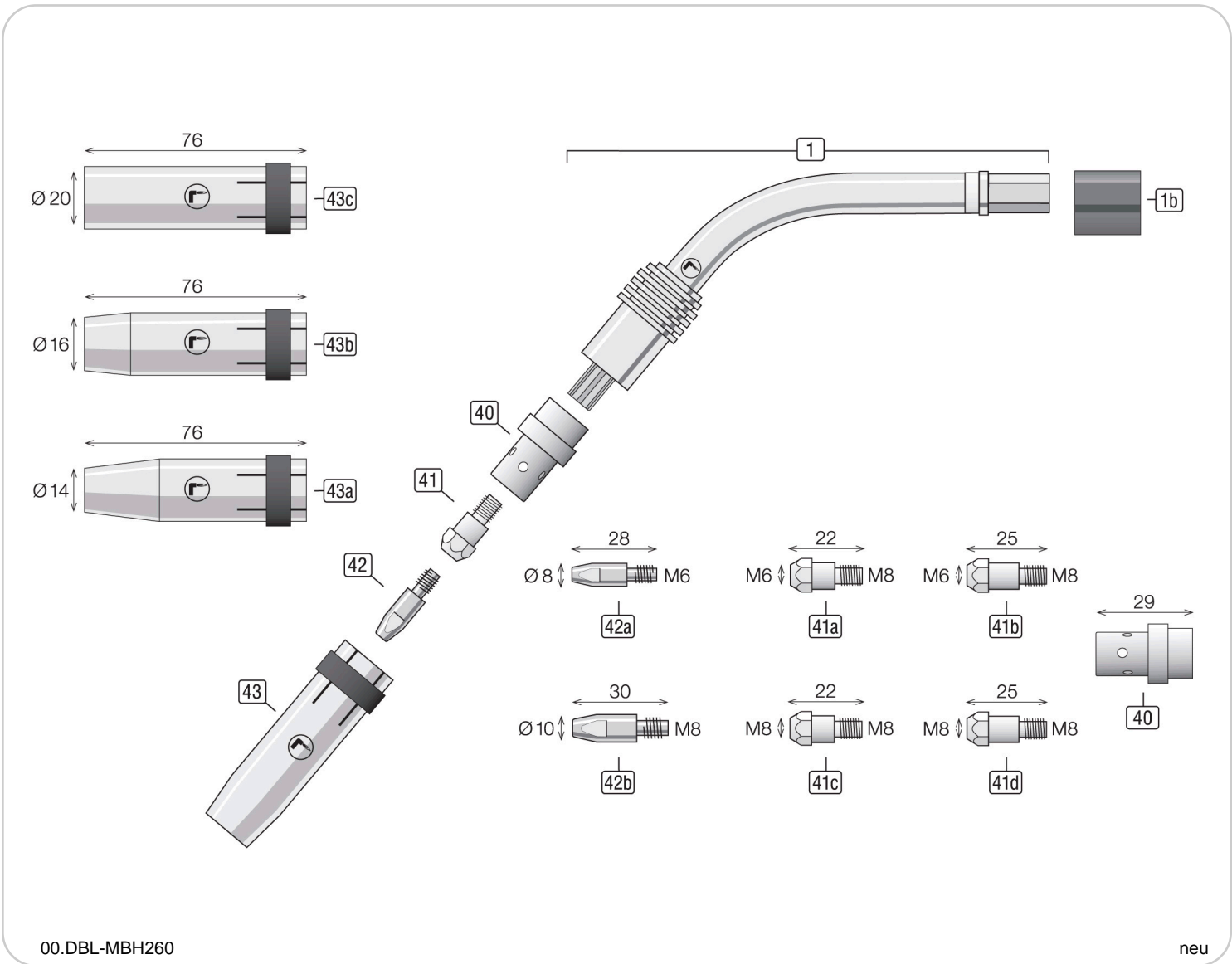


Data Sheet

Torch M 260 EP



00.DBL-MBH260

neu

Components

#	Item description	Part no
1	Torch Body MEP-260 air cooled	MBH260
1b	Plastic body for MIG/MAG torch air cooled	MBH-ZK

Wearing parts

#	Item description	Part no
40	Gas Diffuser white Standard MEP-260	MGV260W
	Gas Giffuser Ceramic MEP-260	MGV260K
41a	Tip Holder M6 L=22mm Standard MEP-260	MDSM8-M6X22
41b	Tip Holder M6 L=25mm MEP-260	MDSM8-M6X25
41c	Tip Holder M8 L=22mm MEP-260	MDSM8-M8X22
41d	Tip Holder M8 L=25mm MEP-260	MDSM8-M8X25
42a	Contact Tip E-Cu M6 L=28mm Ø0,8mm MEP-240/241/250/260/351	MSDECUM6X28-08
	Contact Tip E-Cu M6 L=28mm Ø1,0mm MEP-240/241/250/260/351	MSDECUM6X28-10
	Contact Tip E-Cu M6 L=28mm Ø1,2mm MEP-240/241/250/260/351	MSDECUM6X28-12
	Contact Tip E-Cu M6 L=28mm Ø0,8mm Alu MEP-240/241/250/260/351	MSDECUM6X28-08A
	Contact Tip E-Cu M6 L=28mm Ø1,0mm Alu MEP-240/241/250/260/351	MSDECUM6X28-10A
	Contact Tip E-Cu M6 L=28mm Ø1,2mm Alu MEP-240/241/250/260/351	MSDECUM6X28-12A
	Contact Tip E-Cu Ni M6 L=28mm Ø0,8mm MEP-240/241/250/260/351	MSDECNM6X28-08
	Contact Tip E-Cu Ni M6 L=28mm Ø1,0mm MEP-240/241/250/260/351	MSDECNM6X28-10
	Contact Tip E-Cu Ni M6 L=28mm Ø1,2mm MEP-240/241/250/260/351	MSDECNM6X28-12
	Contact Tip CuCrZr M6 L=28mm Ø0,8mm MEP-240/241/250/260/351	MSDCCZM6X28-08
	Contact Tip CuCrZr M6 L=28mm Ø0,9mm MEP-240/241/250/260/351	MSDCCZM6X28-09
	Contact Tip CuCrZr M6 L=28mm Ø1,0mm MEP-240/241/250/260/351	MSDCCZM6X28-10
	Contact Tip CuCrZr M6 L=28mm Ø1,2mm MEP-240/241/250/260/351	MSDCCZM6X28-12
42b	Contact Tip E-Cu M8 L=30mm Ø0,8mm MEP-350/360/401/501/551	MSDECUM8X30-08
	Contact Tip E-Cu M8 L=30mm Ø1,0mm MEP-350/360/401/501/551	MSDECUM8X30-10
	Contact Tip E-Cu M8 L=30mm Ø1,2mm MEP-350/360/401/501/551	MSDECUM8X30-12
	Contact Tip E-Cu M8 L=30mm Ø0,8mm Alu MEP-350/360/401/501/551	MSDECUM8X30-08A
	Contact Tip E-Cu M8 L=30mm Ø1,0mm Alu MEP-350/360/401/501/551	MSDECUM8X30-10A
	Contact Tip E-Cu M8 L=30mm Ø1,2mm Alu MEP-350/360/401/501/551	MSDECUM8X30-12A
	Contact Tip E-Cu Ni M8 L=30mm Ø0,8mm MEP-350/360/401/501/551	MSDECNM8X30-08
	Contact Tip E-Cu Ni M8 L=30mm Ø1,0mm MEP-350/360/401/501/551	MSDECNM8X30-10
	Contact Tip E-Cu Ni M8 L=30mm Ø1,2mm MEP-350/360/401/501/551	MSDECNM8X30-12
	Contact Tip CuCrZr M8 L=30mm Ø0,8mm MEP-350/360/401/501/551	MSDCCZM8X30-08
	Contact Tip CuCrZr M8 L=30mm Ø1,0mm MEP-350/360/401/501/551	MSDCCZM8X30-10
	Contact Tip CuCrZr M8 L=30mm Ø1,2mm MEP-350/360/401/501/551	MSDCCZM8X30-12
43a	Gas Nozzle Ø14 L=76mm strong conical MEP-260/350/401/501/551	MGDK401-140
43b	Gas Nozzle Ø16,0 L=76mm conical MEP-260/350/401/501/551	MGDK401-160
43c	Gas Nozzle Ø20,0 L=76mm cylindrical MEP-260/350/401/501/550SC	MGDZ401-200
43d	Spot Nozzle Ø20,0 L=85mm MEP-260/350/401/501/551	MGDP401-200