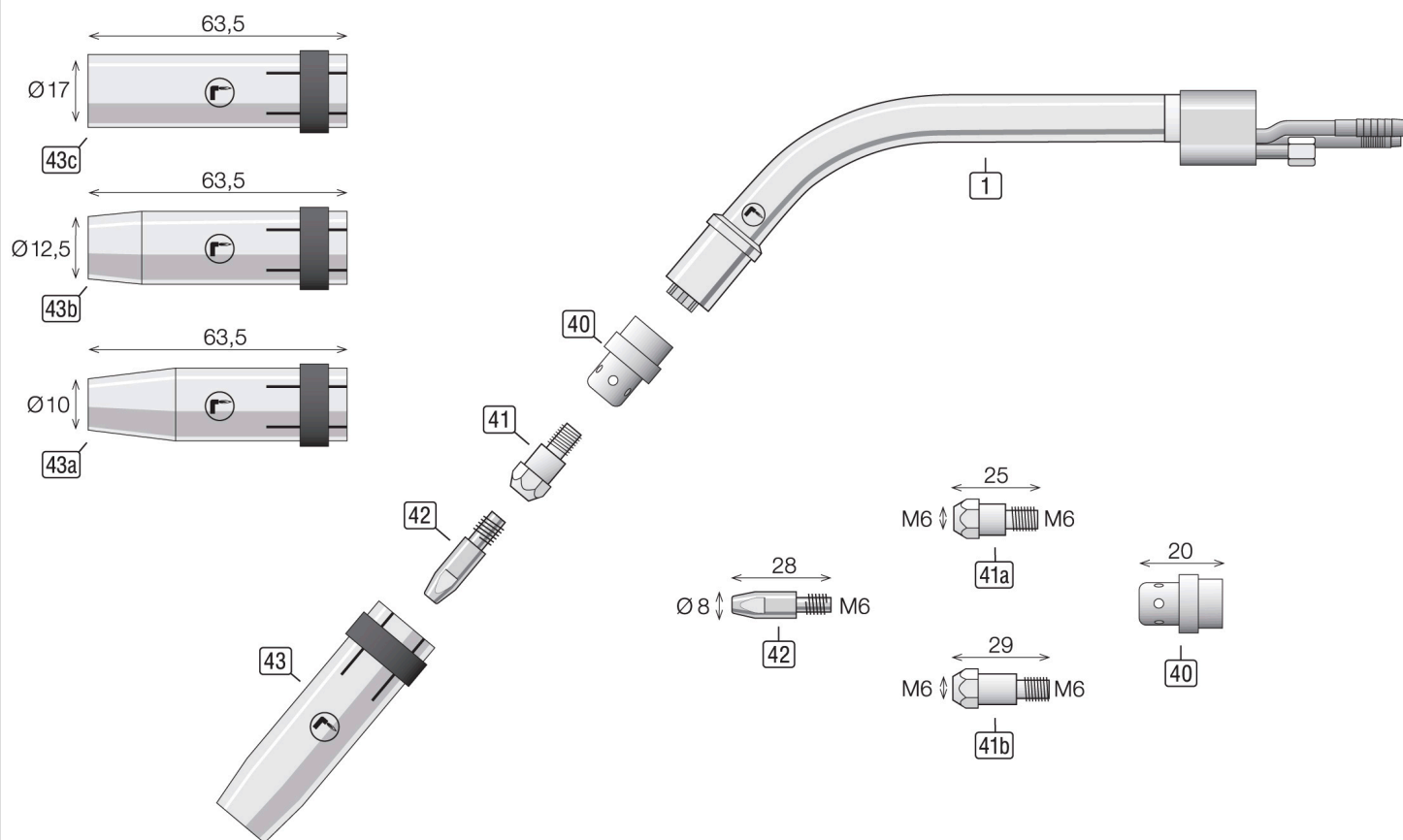




Data Sheet

Torch M 241 EP



00.DBL-MBH241

neu

Components

#	Item description	Part no
1	Torch Body MEP-241 water cooled	MBH241

Wearing parts

#	Item description	Part no
40	Gas Diffuser white Standard MEP-240/241	MGV240W
	Gas Diffuser Ceramic MEP-240/241	MGV240K
41a	Tip Holder M6 L=26mm Standard MEP-240/241	MDSM6-M6X26
41b	Tip Holder M6 L=28mm MEP-240/241	MDSM6-M6X28
42	Contact Tip E-Cu M6 L=28mm Ø0,8mm MEP-240/241/250/260/351	MSDECUM6X28-08
	Contact Tip E-Cu M6 L=28mm Ø1,0mm MEP-240/241/250/260/351	MSDECUM6X28-10
	Contact Tip E-Cu M6 L=28mm Ø1,2mm MEP-240/241/250/260/351	MSDECUM6X28-12
	Contact Tip E-Cu M6 L=28mm Ø0,8mm Alu MEP-240/241/250/260/351	MSDECUM6X28-08A
	Contact Tip E-Cu M6 L=28mm Ø1,0mm Alu MEP-240/241/250/260/351	MSDECUM6X28-10A
	Contact Tip E-Cu M6 L=28mm Ø1,2mm Alu MEP-240/241/250/260/351	MSDECUM6X28-12A
	Contact Tip E-Cu Ni M6 L=28mm Ø0,8mm MEP-240/241/250/260/351	MSDECNM6X28-08
	Contact Tip E-Cu Ni M6 L=28mm Ø1,0mm MEP-240/241/250/260/351	MSDECNM6X28-10
	Contact Tip E-Cu Ni M6 L=28mm Ø1,2mm MEP-240/241/250/260/351	MSDECNM6X28-12
	Contact Tip CuCrZr M6 L=28mm Ø0,8mm MEP-240/241/250/260/351	MSDCCZM6X28-08
	Contact Tip CuCrZr M6 L=28mm Ø0,9mm MEP-240/241/250/260/351	MSDCCZM6X28-09
	Contact Tip CuCrZr M6 L=28mm Ø1,0mm MEP-240/241/250/260/351	MSDCCZM6X28-10
	Contact Tip CuCrZr M6 L=28mm Ø1,2mm MEP-240/241/250/260/351	MSDCCZM6X28-12
43a	Gas Nozzle Ø10,0 L=63,5mm strong conical MEP-240/241	MGDK240-100
43b	Gas Nozzle Ø12,5 L=63,5mm conical MEP-240/241	MGDK240-125
43c	Gas Nozzle Ø17,0 L=63,5mm cylindrical MEP-240/241	MGDZ240-170