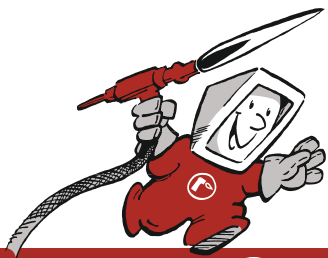
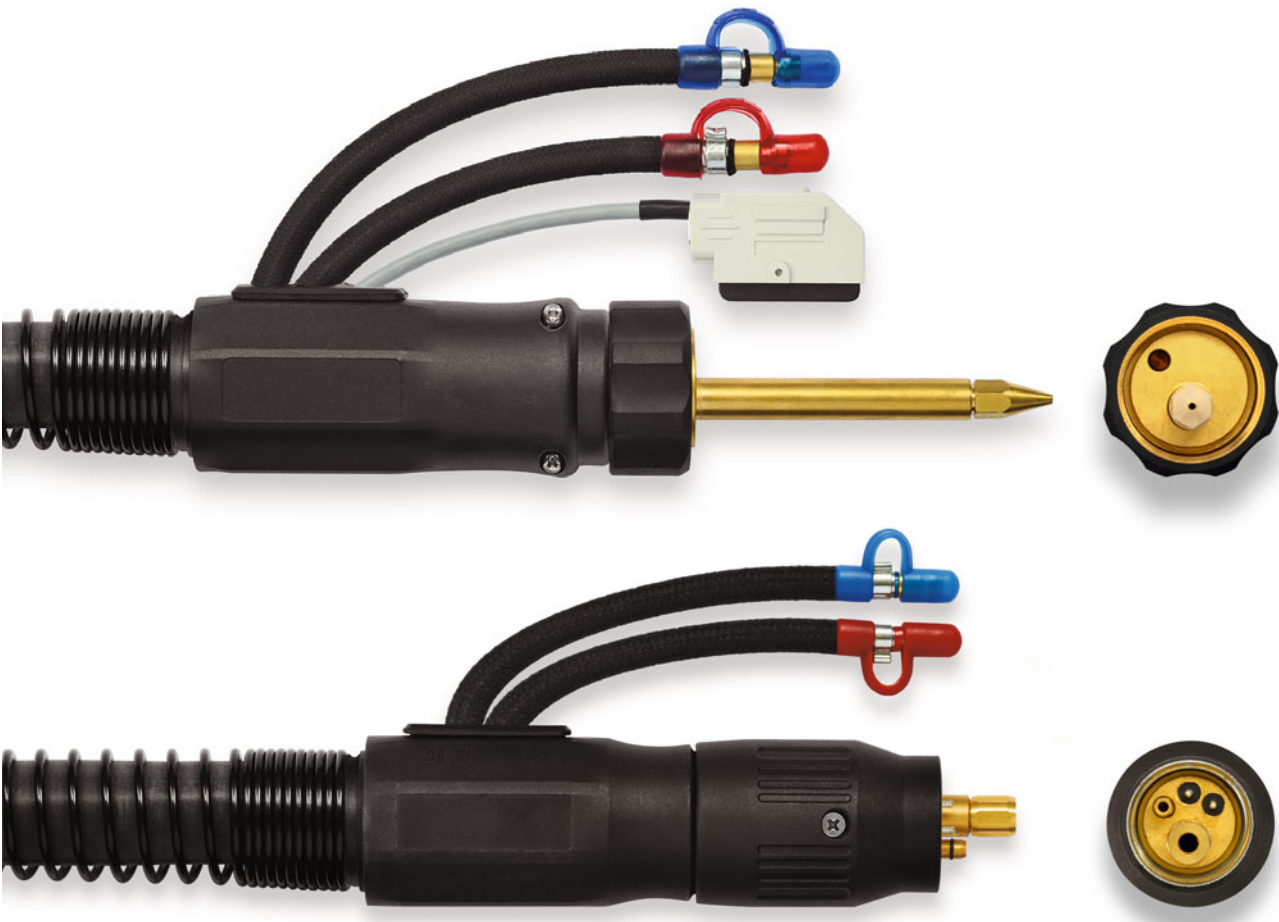
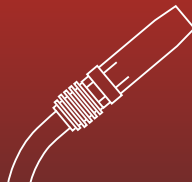
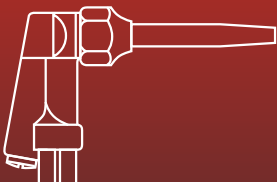


# MIG-Alpen-Power

## MIG/MAG-Torch-Series

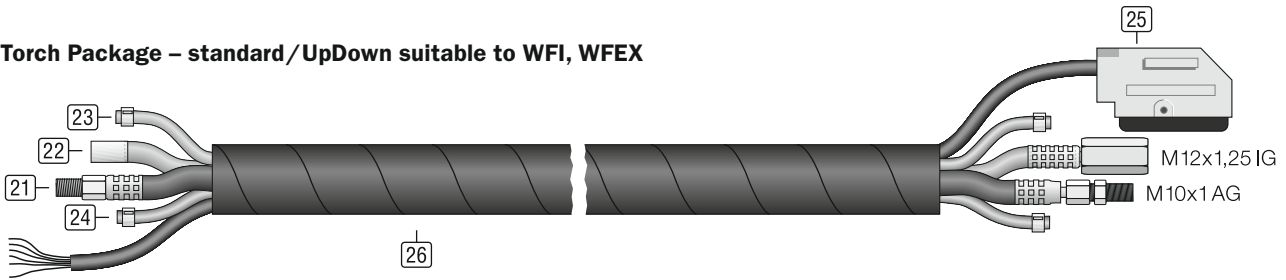
Torch Packages • Central Connections  
Liners • Water Cooled



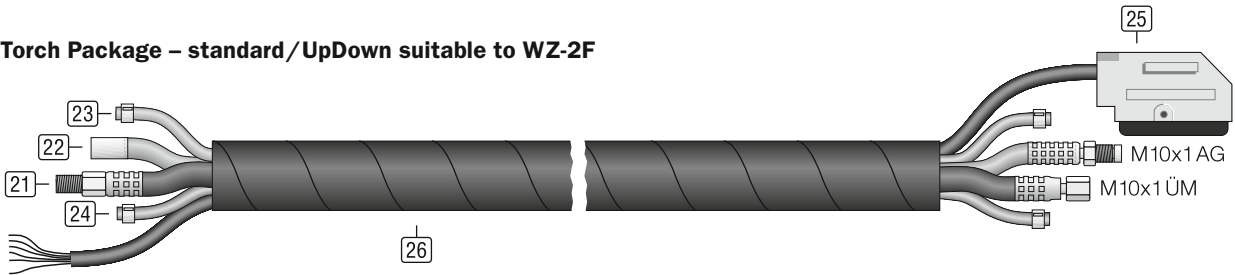


## Torch Packages, Water Cooled

**Torch Package – standard/UpDown suitable to WFI, WFEX**

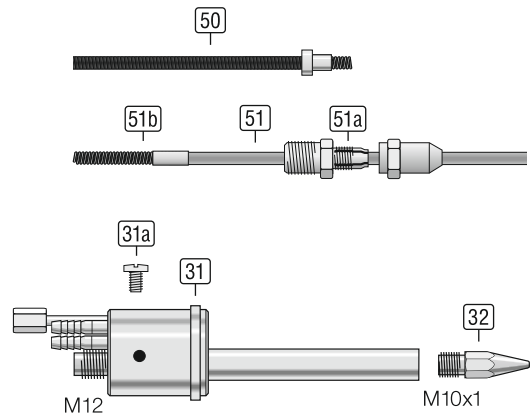
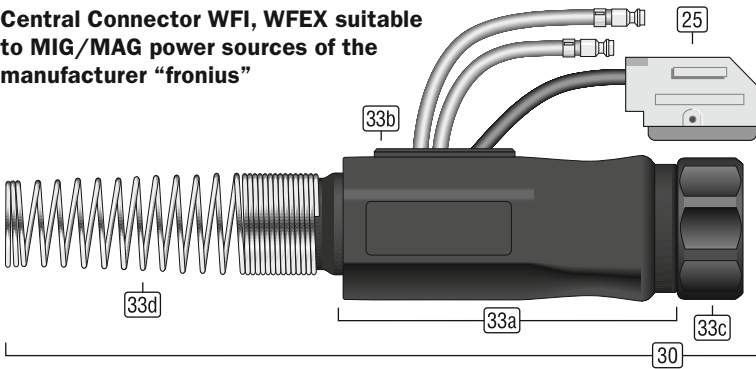


**Torch Package – standard/UpDown suitable to WZ-2F**

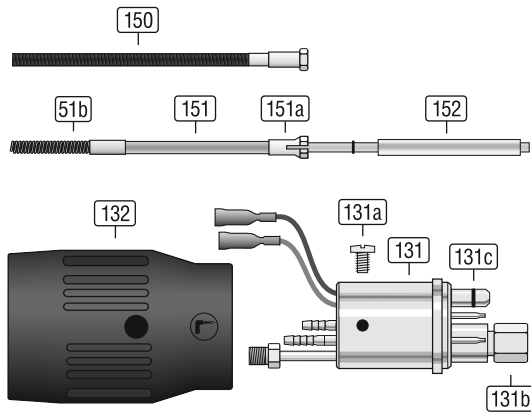
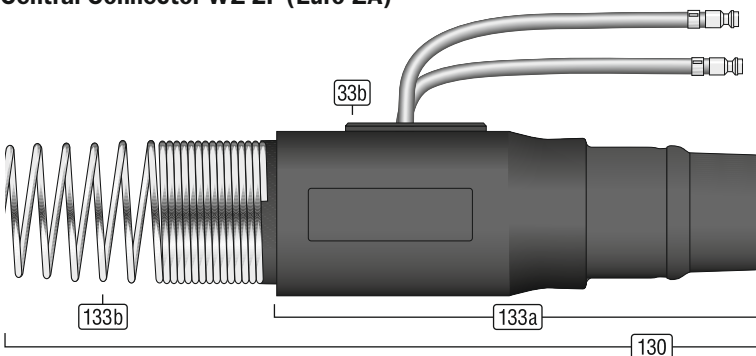


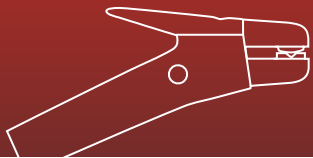
## Central Connections, Water Cooled

**Central Connector WFI, WFEX suitable to MIG/MAG power sources of the manufacturer "fronius"**



**Central Connector WZ-2F (Euro-ZA)**





### Replacement Parts Torch Package

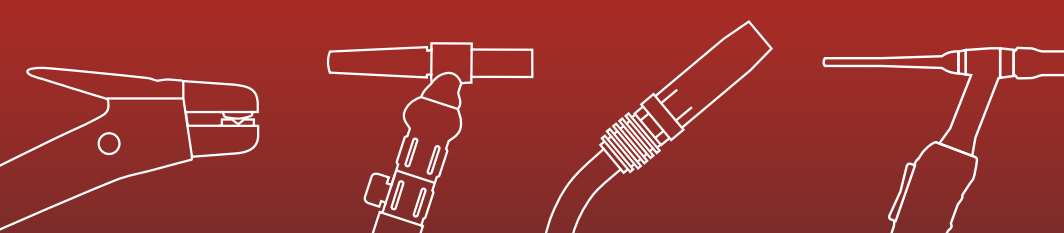
Position	Article Description	Order Number
	Package/3.5 m MAP Water Cooled, WFEX, WFI	M.F008.3035
	Package/4.5 m MAP Water Cooled, WFEX, WFI	M.F008.3045
21	Package/4.5 m MAP Water Cooled, Strand-Cu, MAP	M.F008.1035
	Power Cable/4.5 m, TIG-Cable, Strand-Cu, MAP	M.F008.1045
22	Wire Conduit/3.5 m, MAP, WFEX, WFI	M.F008.0035
	Wire Conduit/4.5 m, MAP, WFEX, WFI	M.F008.0045
	Wire Conduit/3.5 m, MAP, WZ-2F (Euro)	M.F008.0E35
	Wire Conduit/4.5 m, MAP, WZ-2F (Euro)	M.F008.0E45
23	Hose ID 5.0 OD 10.0 mm ECO-Fuel	85513K0510
24	Hose ID 4.0 OD 8.0 mm ECO-Fuel	85513K0408
25	Control Cable/3.5 m, MAP, 9 Pole (Std., UpDown)	M.F008.2135
	Control Cable/4.5 m, MAP, 9 Pole (Std., UpDown)	M.F008.2145
26	Cable Cover Sheet Canvas HSF iØ 28 mm black	85514542815

### Replacement Parts Central Connector "WFEX" and "WFI"

Position	Article Description	Order Number
30	Central Connector SET WFEX	M.F007.0200
	Central Connector SET WFI	M.F007.0300
31	Plug Insert WFEX (Water External)	M.F007.0201
	Plug Insert WFI (Water Internal)	M.F007.0301
31a	Screw for Central Connector Block	M.F007.0430
32	Wire Tip Cap Ø 0.8, SW10, L=32.5	M.F007.0501
	Wire Tip Cap Ø 1.0, SW10, L=32.5	M.F007.0502
	Wire Tip Cap Ø 1.2, SW10, L=32.5	M.F007.0503
	Wire Tip Cap Ø 1.6, SW10, L=32.5	M.F007.0504
33a	Central Connector Case LF/WFEX/WFI	855151ZG6-040
33b	Cable inlet	855151ZG6-017
33c	Central Connector Case LF/WFEX/WFI	M.F007.0401
33d	Kink protection spring	855151ZG6-022
25	Control Cable/3.5 m, MAP, 9 Pole (Std., UpDown)	M.F008.2135
	Control Cable/4.5 m, MAP, 9 Pole (Std., UpDown)	M.F008.2145

### Wire Liner for Connection "WFEX" and "WFI"

Position	Article Description	Order Number
50	Liner Steel/3.5 m Nude Wire, Ø 0.6–0.8 mm	M.F006.1135
	Liner Steel/4.5 m Nude Wire, Ø 0.6–0.8 mm	M.F006.1145
	Liner Steel/3.5 m Nude Wire, Ø 1.0–1.2 mm	M.F006.1235
	Liner Steel/4.5 m Nude Wire, Ø 1.0–1.2 mm	M.F006.1245
	Liner Steel/3.5 m Nude Wire, Ø 1.4–1.6 mm	M.F006.1335
	Liner Steel/4.5 m Nude Wire, Ø 1.4–1.6 mm	M.F006.1345
51	Liner Combi/3.5 m Blue Wire, Ø 0.6–0.8 mm	M.F006.3135
	Liner Combi/4.5 m Blue Wire, Ø 0.6–0.8 mm	M.F006.3145
	Liner Combi/3.5 m Red Wire, Ø 1.0–1.2 mm	M.F006.3235
	Liner Combi/4.5 m Red Wire, Ø 1.0–1.2 mm	M.F006.3245
	Liner Combi/3.5 m Yellow Wire, Ø 1.4–1.6 mm	M.F006.3335
	Liner Combi/4.5 m Yellow Wire, Ø 1.4–1.6 mm	M.F006.3345
51a	Wire Tip Cap Liner Combi	M.F006.3000
51b	Bronze spiral iØ 1.9	MSK-S-BR350-1
	Bronze spiral iØ 2.2	MSK-S-BR350-2



### Replacement Parts Central Connector “WZ-2F” (Euro-ZA) with Spring Pin Contacts

Position	Article Description	Order Number
130	Central Connector SET WZ-2F	M.T007.0010
131	Plug Insert WZ-2F with Spring Pin Contacts	M.T007.0201
131a	Screw for Central Connector Block	M.T007.0901
131b	Nut for Wire Guide	8551511ZDM
131c	O-Ring for Gas Pin	8551511ZOG
	Socket Red, 4 mm	85523RH4000RT
132	Connection nut	855151ZG7-222
133a	Central Connector Case watercooled	855151ZG6-24
33b	Cable inlet	855151ZG6-017
133c	Bend Protection Spring	855151ZG6-022

### Wire Liner for Connection “WZ-2F” (Euro-ZA)

Position	Article Description	Order Number
150	Liner Steel/3.5 m Nude Wire Ø 0.6–0.8 mm	M.F006.5135
	Liner Steel/4.5 m Nude Wire Ø 0.6–0.8 mm	M.F006.5145
	Liner Steel/3.5 m Nude Wire Ø 1.0–1.2 mm	M.F006.5235
	Liner Steel/4.5 m Nude Wire Ø 1.0–1.2 mm	M.F006.5245
	Liner Steel/3.5 m Nude Wire Ø 1.4–1.6 mm	M.F006.5335
	Liner Steel/4.5 m Nude Wire Ø 1.4–1.6 mm	M.F006.5345
151	Liner Combi/3.5 m Blue Wire Ø 0.6–0.8 mm	M.F006.7135
	Liner Combi/4.5 m Blue Wire Ø 0.6–0.8 mm	M.F006.7145
	Liner Combi/3.5 m Red Wire Ø 1.0–1.2 mm	M.F006.7235
	Liner Combi/4.5 m Red Wire Ø 1.0–1.2 mm	M.F006.7245
	Liner Combi/3.5 m Yellow Wire Ø 1.4–1.6 mm	M.F006.7335
	Liner Combi/4.5 m Yellow Wire Ø 1.4–1.6 mm	M.F006.7345
151a	Nippel for Liner Plastic	MSK-H
51b	Bronze spiral iØ 1.9	MSK-S-BR350-1
	Bronze spiral iØ 2.2	MSK-S-BR350-2
152	Guide Tube	MSK-F-XXX
		XXX = 200, 300, 500, 1000 mm