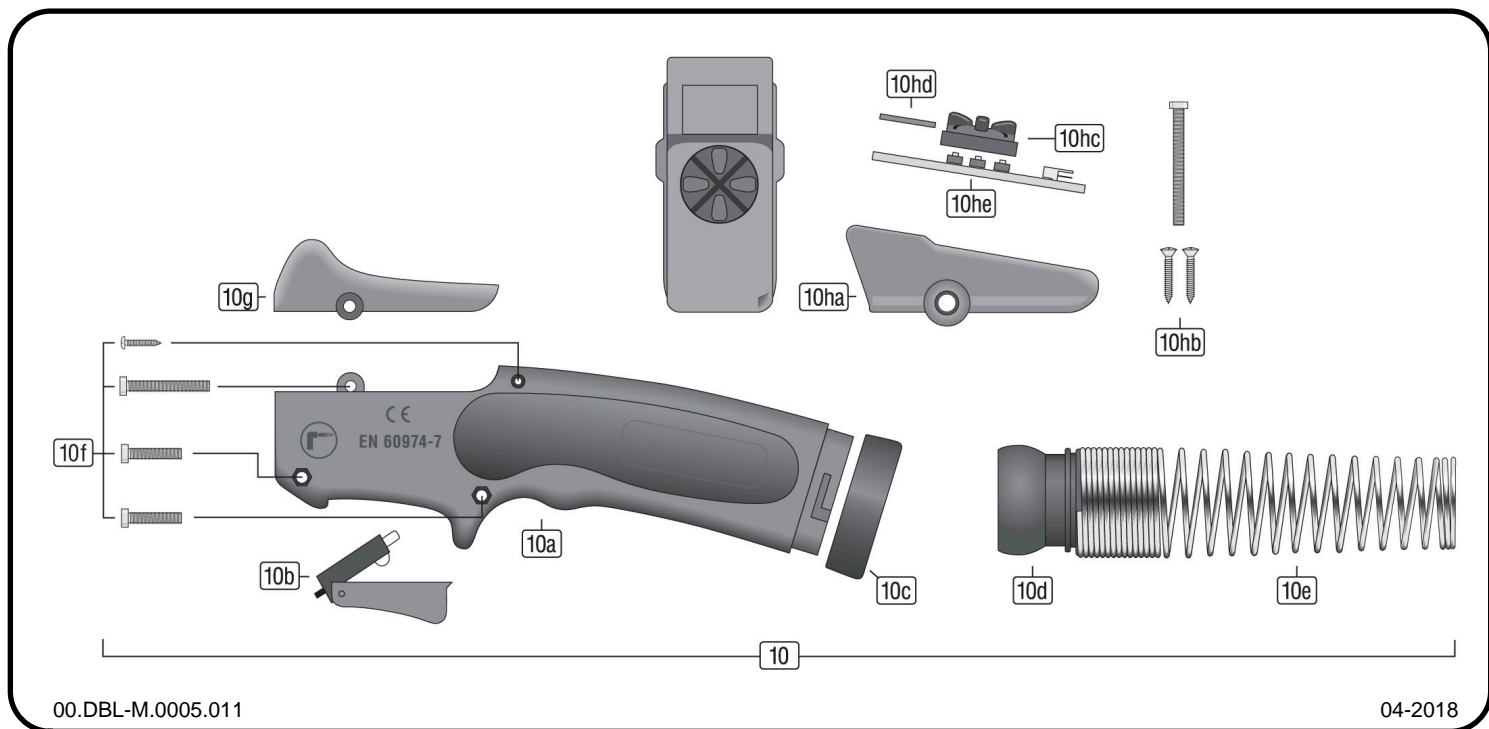




Data Sheet

MIG MAP Handle aircooled



00.DBL-M.0005.011

04-2018

Components

#	Item description	Part no
10	Handle Kit RMC standard red	M.0005.0110-RT
	Handle Kit RMC UpDown red MAP Torch	M.0005.0112-RT
10a	Handle Pair (le+ri) red RMC MAP	M.0005.1110-RT
10b	Switch black RMC	M.T005.0106
10c	Lock Ring RMC	M.0005.1190
10d	Ball joint Ergo	M.T005.0105
10e	Bend protection MEP air cooled suitable MIG-Euro-Power	M.T005.0111
	Bend protection MEP water cooled suitable MIG-Euro-Power	M.T005.0110
10f	Screw Set RMC Standard	M.0005.1903
10g	Top Frame RMC Standard	M.0005.1191-SW
10ha	Top Frame RMC Remote (le+ri) (UpDown)	M.0005.5101-SW
10hb	Screw Set RMC Remote	M.0005.1904
10hc	Switch Rubber RMC (UpDown)	M.0005.4101
10hd	Cover Window RMC (UpDown)	M.0005.5191-SW
10he	Circuit Board UpDown	M.0005.1217