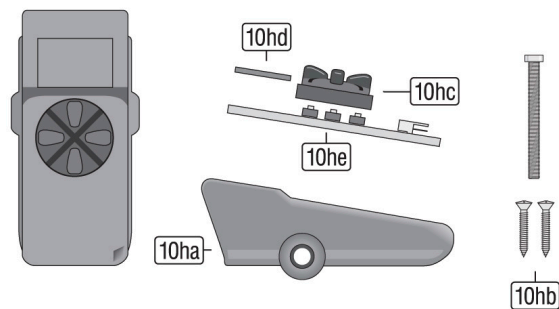




Data Sheet

MIG RMC Up-Down Module



00.DBL-M.0005.02

04-2018

Components

#	Item description	Part no
10ha	Top Frame RMC Remote (le+ri) (UpDown)	M.0005.5101-SW
10hb	Screw Set RMC Remote	M.0005.1904
10hc	Switch Rubber RMC (UpDown)	M.0005.4101
10hd	Cover Window RMC (UpDown)	M.0005.5191-SW
10he	Circuit Board UpDown	M.0005.1217