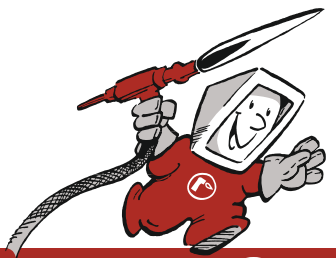
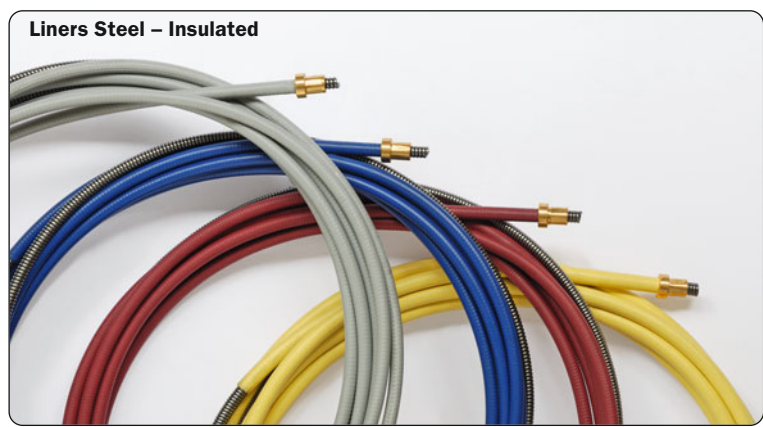
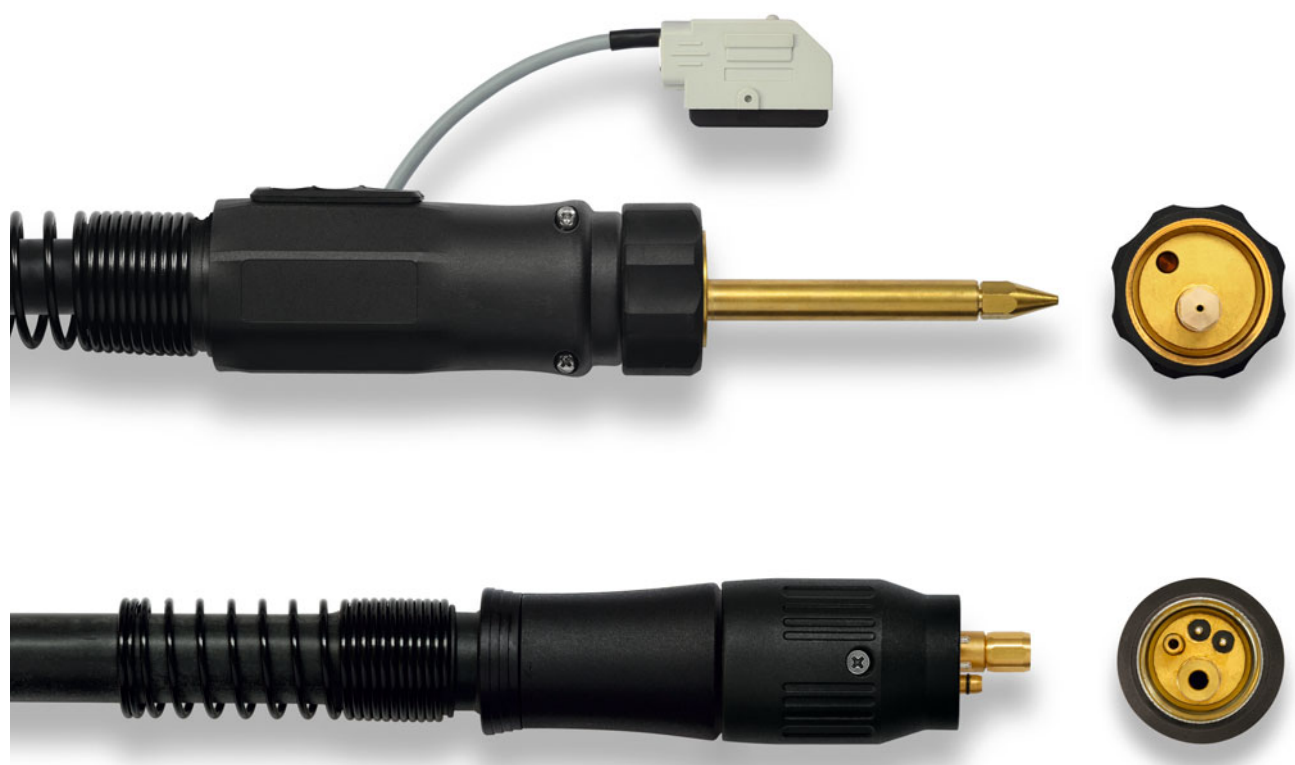
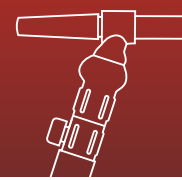
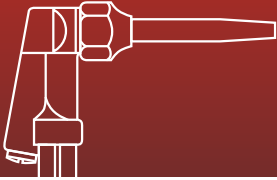


# MIG-Alpen-Power

## MIG/MAG-Torch-Series

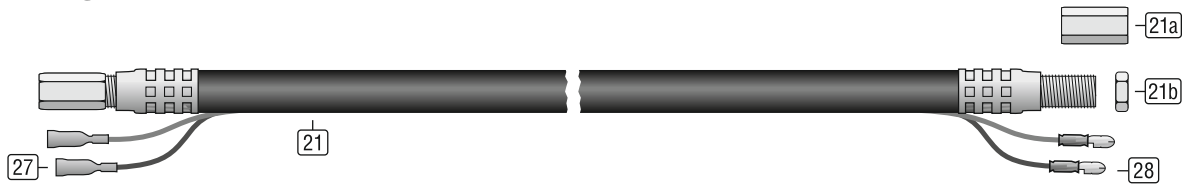
Torch Packages • Central Connections  
Liners • Air Cooled



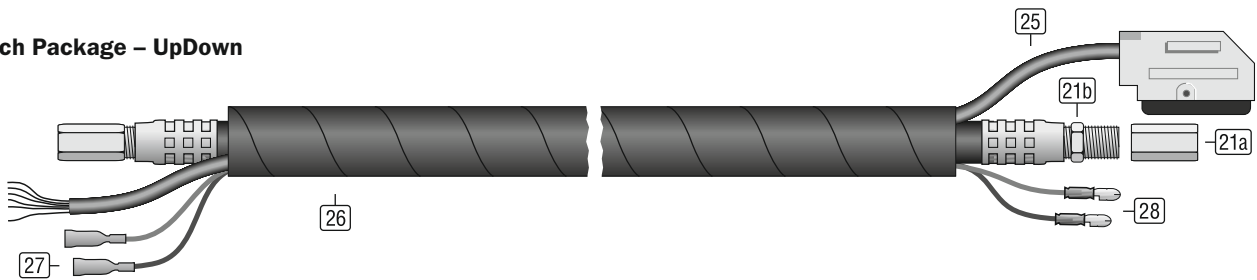


## Torch Packages, Air Cooled

### Torch Package – Standard

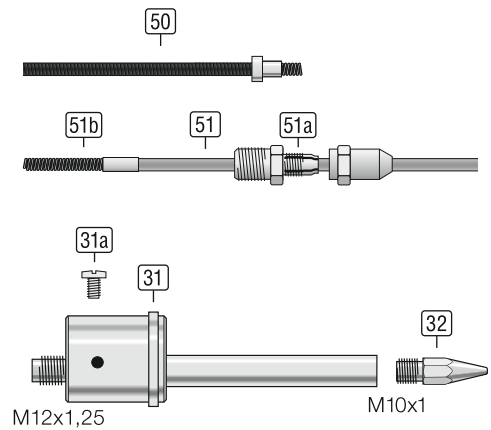
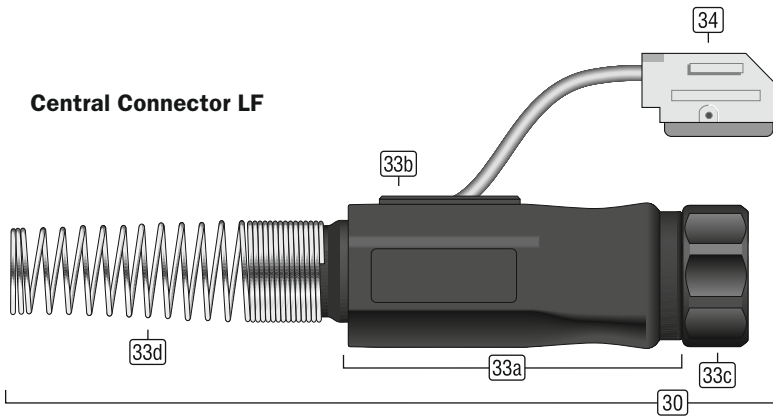


### Torch Package – UpDown

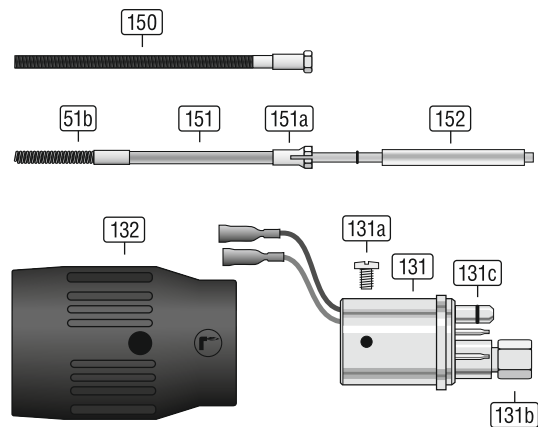
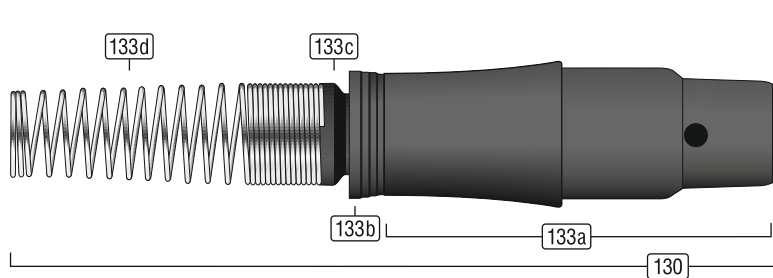


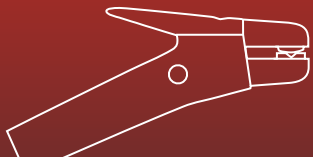
## Central Connections, Air Cooled

### Central Connector LF



### Central Connector GZ-2F (Euro-ZA)





### Replacement Parts Torch Package Standard

Position	Article Description	Order Number
21	Coaxial-Cable/3.5 m, Rubber 25 mm <sup>2</sup> , MAP	M.F008.5035
	Coaxial-Cable/4.5 m, Rubber 25 mm <sup>2</sup> , MAP	M.F008.5045
	Coaxial-Cable/3.5 m, Rubber 35 mm <sup>2</sup> , MAP	M.F008.5135
	Coaxial-Cable/4.5 m, Rubber 35 mm <sup>2</sup> , MAP	M.F008.5145
	Coaxial-Cable/3.5 m, Rubber 50 mm <sup>2</sup> , MAP	M.F008.5235
	Coaxial-Cable/4.5 m, Rubber 50 mm <sup>2</sup> , MAP	M.F008.5245
21a	Adapter M12x1.25 rh inner thread – M10x1 rh inner thread	M.F008.5001
21b	Counter Nut M10x1 RH SW12 L=3,5mm	855053322R
25	Control Cord/3.5 m UpDown 9 Pole	M.F008.2135
	Control Cord/4.5 m UpDown 9 Pole	M.F008.2145
26	Cover Sheat HSF iØ 28 mm black	85514542815
27	Socket 2.8 x 0.5 mm	85523FH2808RT
28	Plug insulated red 4 mm	85523RS4000RT

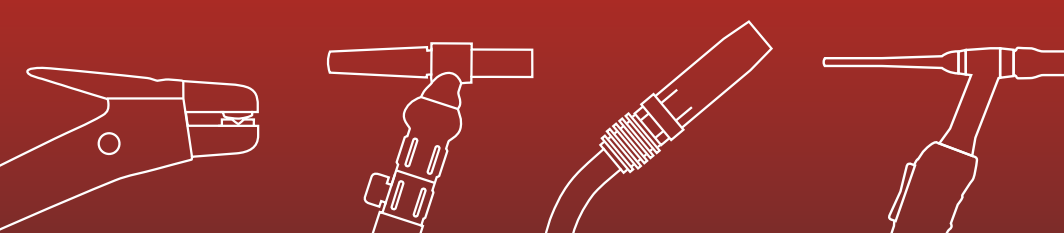
### Replacement Parts Central Connector “LF”

Position	Article Description	Order Number
30	Central Connector SET LF	M.F007.0100
31	Central Connector Plug Insert LF	M.F007.0101
31a	Srew for Central Connector	M.F007.0430
32	Wire Tip Cap, Ø 0.8, SW10, L=32.5 mm	M.F007.0501
	Wire Tip Cap, Ø 1.0, SW10, L=32.5 mm	M.F007.0502
	Wire Tip Cap, Ø 1.2, SW10, L=32.5 mm	M.F007.0503
	Wire Tip Cap, Ø 1.6, SW10, L=32.5 mm	M.F007.0504
33a	Central Connector Case LF/WFEX/WFI	M.F007.0402
33b	Cable inlet	855151ZG6-017
33c	Central connector-connection nut LF/WFEX/WFI	M.F007.0401
33d	Bend protection large/water	855151ZG6-022
34	Control Cable/0.5 m Standard 9 Pole	M.F008.2005

### Wire Liner for Connection “LF”

Position	Article Description	Order Number
50	Liner Steel/3.5 m Insulated Blue Wire, Ø 0.6–0.8 mm	M.F006.2135
	Liner Steel/4.5 m Insulated Blue Wire, Ø 0.6–0.8 mm	M.F006.2145
	Liner Steel/3.5 m Insulated Red Wire, Ø 1.0–1.2 mm	M.F006.2235
	Liner Steel/4.5 m Insulated Red Wire, Ø 1.0–1.2 mm	M.F006.2245
	Liner Steel/3.5 m Insulated Yellow Wire, Ø 1.4–1.6 mm	M.F006.2335
	Liner Steel/4.5 m Insulated Yellow Wire, Ø 1.4–1.6 mm	M.F006.2345
51	Liner Combi/3.5 m Blue Wire, Ø 0.6–0.8 mm	M.F006.3135
	Liner Combi/4.5 m Blue Wire, Ø 0.6–0.8 mm	M.F006.3145
	Liner Combi/3.5 m Red Wire, Ø 1.0–1.2 mm	M.F006.3235
	Liner Combi/4.5 m Red Wire, Ø 1.0–1.2 mm	M.F006.3245
	Liner Combi/3.5 m Yellow Wire, Ø 1.4–1.6 mm	M.F006.3335
	Liner Combi/4.5 m Yellow Wire, Ø 1.4–1.6 mm	M.F006.3345
51a	Wire Tip Cap Liner Combi	M.F006.3000
51b	Bronze spiral iØ 1.9	MSK-S-BR350-1
	Bronze spiral iØ 2.2	MSK-S-BR350-2

For information about torch packages, central connections and liners go to rubric 2.2.W.



### Replacement Parts Central Connector "GZ-2F" (Euro-ZA) with Spring Pin Contacts

Position	Article Description	Order Number
130	Central Connector SET GZ-2F	M.T007.0020
131	Central Connector Plug Insert GZ-2F with Spring Pin Contacts	M.T007.0102
131a	Screw for Central Connector Block	M.T007.0901
131b	Nut for Wire Guide	8551511ZDM
131c	O-Ring for Gas Pin	8551511ZOG
132	Connectionnut	855151ZG7-222
133a	MIG-Central Connector Case aircooled	855151ZG7-112
133b	Lock Ring	M.T005.0104
133c	Ball Joint	M.T005.0105
133d	Bend Protection Spring aircooled (Standard)	M.T005.0111
	Bend Protection Spring watercooled (UpDown)	M.T005.0110

### Wire Liner for Connection "GZ-2F" (Euro-ZA)

Position	Article Description	Order Number
150	Liner Steel/3.5 m Insulated Blue Wire Ø 0.6–0.8 mm	M.F006.6135
	Liner Steel/4.5 m Insulated Blue Wire Ø 0.6–0.8 mm	M.F006.6145
	Liner Steel/3.5 m Insulated Red Wire Ø 1.0–1.2 mm	M.F006.6235
	Liner Steel/4.5 m Insulated Red Wire Ø 1.0–1.2 mm	M.F006.6245
	Liner Steel/3.5 m Insulated Yellow Wire Ø 1.4–1.6 mm	M.F006.6335
	Liner Steel/4.5 m Insulated Yellow Wire Ø 1.4–1.6 mm	M.F006.6345
151	Liner Combi/3.5 m Blue Wire Ø 0.6–0.8 mm	M.F006.7135
	Liner Combi/4.5 m Blue Wire Ø 0.6–0.8 mm	M.F006.7145
	Liner Combi/3.5 m Red Wire Ø 1.0–1.2 mm	M.F006.7235
	Liner Combi/4.5 m Red Wire Ø 1.0–1.2 mm	M.F006.7245
	Liner Combi/3.5 m Yellow Wire Ø 1.4–1.6 mm	M.F006.7335
	Liner Combi/4.5 m Yellow Wire Ø 1.4–1.6 mm	M.F006.7345
151a	Nippel for Liner Plastic	MSK-H
51b	Bronze spiral iØ 1.9	MSK-S-BR350-1
	Bronze spiral iØ 2.2	MSK-S-BR350-2
152	Guide Tube	MSK-F-XXX
		XXX = 200, 300, 500, 1000 mm