

CATALOGUE 2.2

2.2.1
RM 230 L



2.2.2
RM 300 L



2.2.5
RM 400 W



2.2.3
RM 400 L



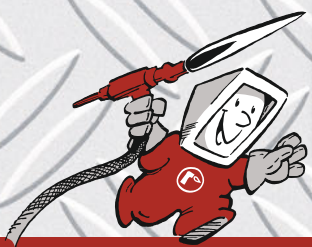
2.2.6
RM 500 W

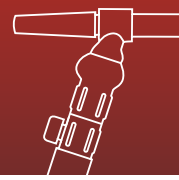
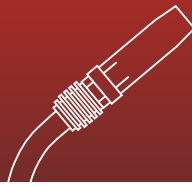
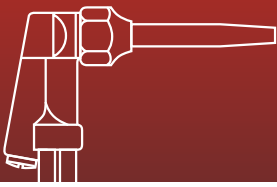


2.2.4
RM 250 W



2.2.7
RM 700 W





Rohrman Schweißtechnik

Torches and more ...

Partner for welding distributors

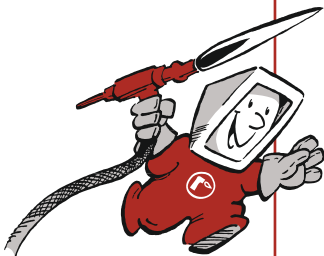
Rohrman Schweißtechnik – a family company with more than 40 years of experience in welding technology.

We offer a variety of products for welding such as:

- TIG torches in different styles
- TIG spare parts and accessories
- TIG extension packages
- MIG/MAG torches in different styles
- MIG/MAG spare parts and accessories
- MIG/MAG extension- and interconnection cable packages
- Electrodes-, earth clamps- and cables
- Welding helmets
- Flame cutting torches, hoses and accessories
- Carbon arc gouging torches and accessories

In addition to standard torches we are specialized in **Tungsten Inert Gas** Welding. The wide range of products enables us to provide optimal solutions for different welding applications.

Please ask your welding distributor or feel free to contact us.



Rohrman Schweißtechnik

Tel.: +49(0)2162/106065-0

Fax: +49(0)2162/106065-55

www.rohrman.de · info@rohrman.de



MIG/MAG-Torches MAP

MIG-Alpen-Power

The MIG/MAG torch series “MIG-Alpen-Power” (MAP) is a powerful alternative to standard “Euro” torches. Technical improvements such as better cooling, greater thermal and electrical conductivity, better wire guidance and a forced contact of the welding wire permit a **higher performance** and **less wear**. These improvements reduce costs in day-to-day use.

Same spare parts for air and water cooled torches of the same size simplify the spare parts supply.

With these features the **MAP series** sets new standards in MIG/MAG torches. MAP torches – the optimum for a productive working with an **excellent price/performance ratio**.



Air Cooled

MAP – air cooled

- **better cooling of the torch**
 - longer operational life
 - less wear
- **Rubber Coaxial Cable**
 - flexible
 - large copper cross section
 - high heat resistance
 - UV resistance
 - standard connections

	RM 400 L	RM 300 L	RM 230 L	
Model	Capacity		Duty Cycle	Wire Ø
	CO ₂	ArCO ₂		
RM 230 L	230 A	200 A	40%	0.6–1.0 mm
RM 300 L	300 A	250 A	40%	0.8–1.2 mm
RM 400 L	400 A	350 A	40%	1.0–1.6 mm

Technical specifications conform to EN 60 974-7



Water Cooled

MAP – water cooled

- **better cooling of the torch**
 - large cooling channels
 - large cooling contact surface
 - cooling right down into the tips
- **Rubber Power Water Cable**
 - flexible even in cold weather
 - high heat resistance
 - special pressing of the copper strand for optimal electrical contact

Handle RTC MIG

In every welding position the new designed **handle “RMC MIG”** rests securely and comfortable in the hand. High ergonomics, gripping pads and the ball joint provide optimum support for all movement sequences **reducing fatigue**. The RMC MIG handle offers options for remote control of welding parameters, e.g. Up/Down to raise and lower the current.



- Up/Down-Handle**
- Start/Stop
 - Current Control



- Standard-Handle**
- Start/Stop



	RM 250 W	RM 400 W	RM 500 W	RM 700 W	
Model	Capacity		Duty Cycle	Wire Ø	
	CO ₂	ArCO ₂			
RM 250 W	250 A	220 A	100%	0.6–1.2 mm	
RM 400 W	400 A	350 A	100%	0.8–1.2 mm	
RM 500 W	500 A	400 A	100%	1.0–1.6 mm	
RM 700 W	700 A	650 A	100%	1.0–1.6 mm	

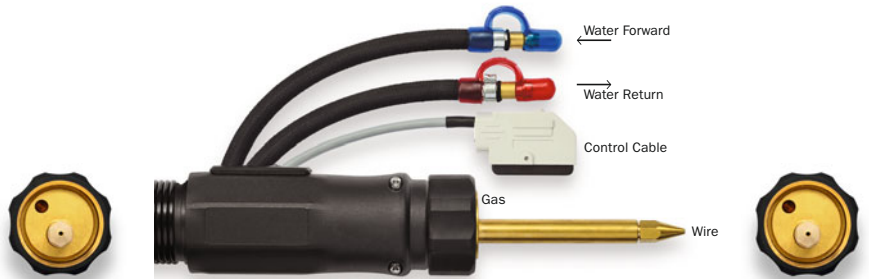
Technical specifications conform to EN 60 974-7



MIG/MAG Central Connections



Central Connector LF suitable to MIG/MAG power sources of the manufacturer "fronius"



Central Connector WFI – Water Internal
WFEX – Water External, suitable to MIG/MAG power sources of the manufacturer "fronius"



Central Connector GZ-2F (Euro-ZA) suitable for most power supplies in the European market



Central Connector WZ-2F (Euro-ZA) suitable for most power supplies in the European market

MIG/MAG-Spare Parts suitable MAP

Contact Tips



Diverse



Contact Tip Holders



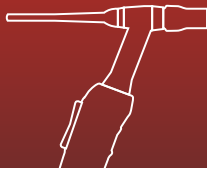
Gas Nozzles



suitable RM 230 L/RM 250 W

suitable RM 300 L/RM 400 W

suitable RM 400 L/RM 500 W



2.2.1

MIG/MAG Torch RM 230 L



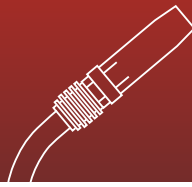
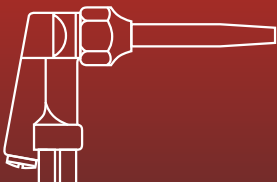
MIG/MAG Torch MAP – RM 230 L

Duty cycle (10 Min. cycle)

Capacity	at 40 % duty cycle	at 100 % duty cycle
– CO ₂	230 amps.	150 amps
– ArCO ₂	200 amps.	120 amps

At pulsed arc the duty cycles decrease up to 35%!

Type of cooling:	Air cooling
Wire diameter:	0.6–1.0 mm
Gas flow:	ca. 8 l/min
Standard:	Conform to EN 60 974-7
Connection:	Central connector LF suitable to MIG/MAG power sources of the manufacturer “fronius” Central connector GZ-2F (Euro-ZA)



RM 230 L, Air Cooled

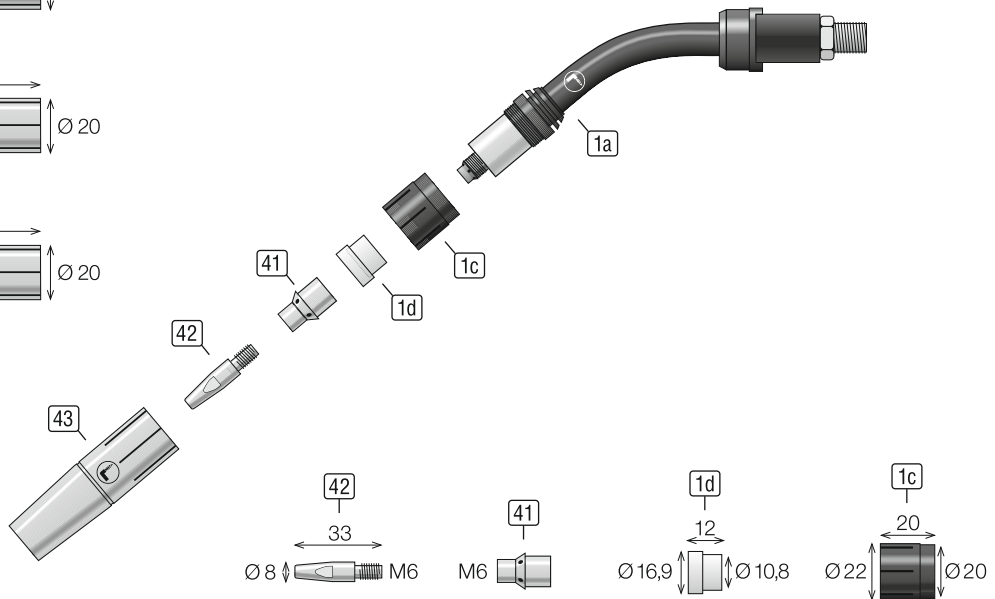
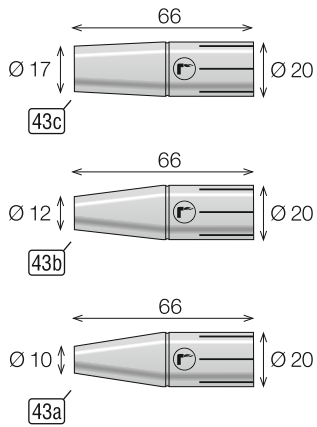
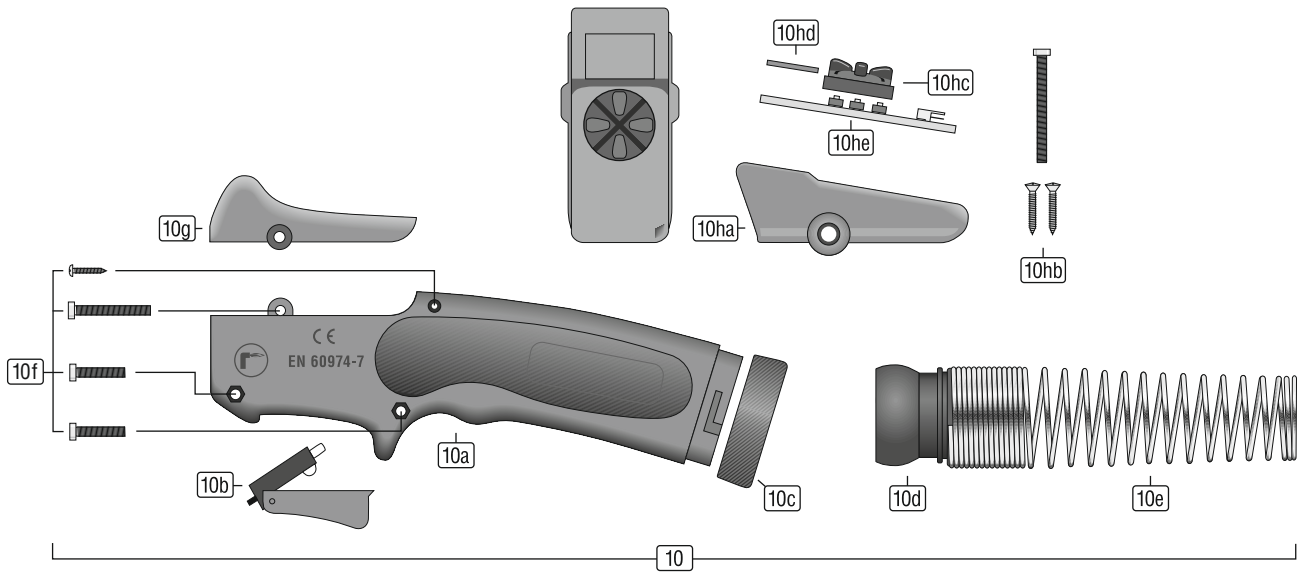
CO₂ – 230 A – 40 % Duty Cycle

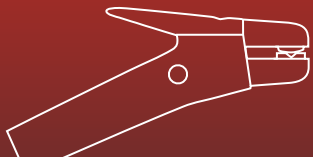
ArCO₂ – 200 A – 40 % Duty Cycle

Handle RMC MIG

RMC MIG – standard

RMC MIG – Up/Down





MIG/MAG Torches MAP – RM 230 L

Air cooled – CO₂ 230 A, 40% Duty Cycle (150 A, 100% Duty Cycle) – ArCO₂ 200 A, 40% Duty Cycle (120 A, 100% Duty Cycle)
equipped with spare parts for Ø 0.8 mm steel wire

Position	Article Description	Order Number
	RM 230 L/3.5 m, Standard, LF with 9 Pol	M.F000.L23SF35
	RM 230 L/4.5 m, Standard, LF with 9 Pol	M.F000.L23SF45
	RM 230 L/3.5 m, UpDown. LF with 9 Pol	M.F000.L23UF35
	RM 230 L/4.5 m, UpDown. LF with 9 Pol	M.F000.L23UF45
	RM 230 L/3.5 m, Standard. GZ-2F (Euro-ZA)	M.F000.L23SE35
	RM 230 L/4.5 m, Standard, GZ-2F (Euro-ZA)	M.F000.L23SE45

Replacement Parts Handle

Position	Article Description	Order Number
10	Handle SET RMC Standard MAP (Air cooled)	M.0005.0110-RT
	Handle SET RMC UpDown MAP	M.0005.0112-RT
10a	Handle Pair RMC (le+ri) MAP red	M.0005.1110-RT
10b	Switch	M.T005.0106
10c	Lock Ring RMC	M.0005.1190
10d	Ball Joint	M.T005.0105
10e	Bend Protection Spring Small (Standard)	M.T005.0111
	Bend Protection Spring Big (UpDown)	M.T005.0110
10f	Screw Set RMC	M.0005.1903
10g	Top Frame RMC Standard	M.0005.1191-SW
10ha	Top Frame RMC Remote (le+ri) (UpDown)	M.0005.5101-SW
10hb	Screw Set RMC Remote	M.0005.1904
10hc	Switch Rubber RMC (UpDown)	M.0005.4101
10hd	Cover Window RMC (UpDown)	M.0005.5191-SW
10he	Circuit Board UpDown	M.0005.1217

Replacement Parts Swan Neck

Position	Article Description	Order Number
1a	Swan Neck RM 230 L	M.F001.RM230L

Spare Parts

Position	Article Description	Order Number
1c	Fixing Sleeve, iØ 20 mm, oØ 22 mm, L=20 mm	M.F002.0201
1d	Insulator, iØ 10.8 mm, oØ 16.9 mm, L=12 mm	M.F002.0101
41	Contact Tip Holder M6, SW12, L=24 mm	M.F002.0301
42	Contact Tip CuCrZr M6, L=33 mm, Ø 0.6	M.F004.0101
	Contact Tip CuCrZr M6, L=33 mm, Ø 0.8	M.F004.0102
	Contact Tip CuCrZr M6, L=33 mm, Ø 0.9	M.F004.0103
	Contact Tip CuCrZr M6, L=33 mm, Ø 1.0	M.F004.0104
	Contact Tip CuCrZr M6, L=33 mm, Ø 1.2	M.F004.0105
43a	Gas Nozzle Conical, iØ 10 mm, oØ 20 mm, L=66 mm	M.F003.0103
43b	Gas Nozzle Conical, iØ 12 mm, oØ 20 mm, L=66 mm	M.F003.0102
43c	Gas Nozzle Cylindrical, iØ 17 mm, oØ 20 mm, L=66 mm	M.F003.0101

For information about torch packages, central connections and liners go to rubric 2.2.L



2.2.2

MIG/MAG Torch RM 300 L



MIG/MAG Torch MAP- RM 300 L

Duty cycle (10 min. cycle)

Capacity	at 40% duty cycle	at 100% duty cycle
----------	-------------------	--------------------

- CO ₂	300 amps.	190 amps
-----------------------------	-------------------	----------

- ArCO ₂	250 amps.	150 amps
-------------------------------	-------------------	----------

At pulsed arc the duty cycles decrease up to 35 %!

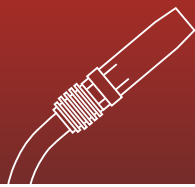
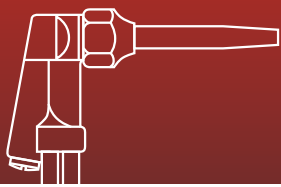
Type of cooling:	Air cooling
-------------------------	-------------

Wire diameter:	0.8–1.2 mm
-----------------------	------------

Gas flow:	ca. 12 l/min
------------------	--------------

Standard:	Conform to EN 60 974-7
------------------	------------------------

Connection:	Central connector LF suitable to MIG/MAG power sources of the manufacturer "fronius" Central connector GZ-2F (Euro-ZA)
--------------------	---



RM 300 L, Air Cooled

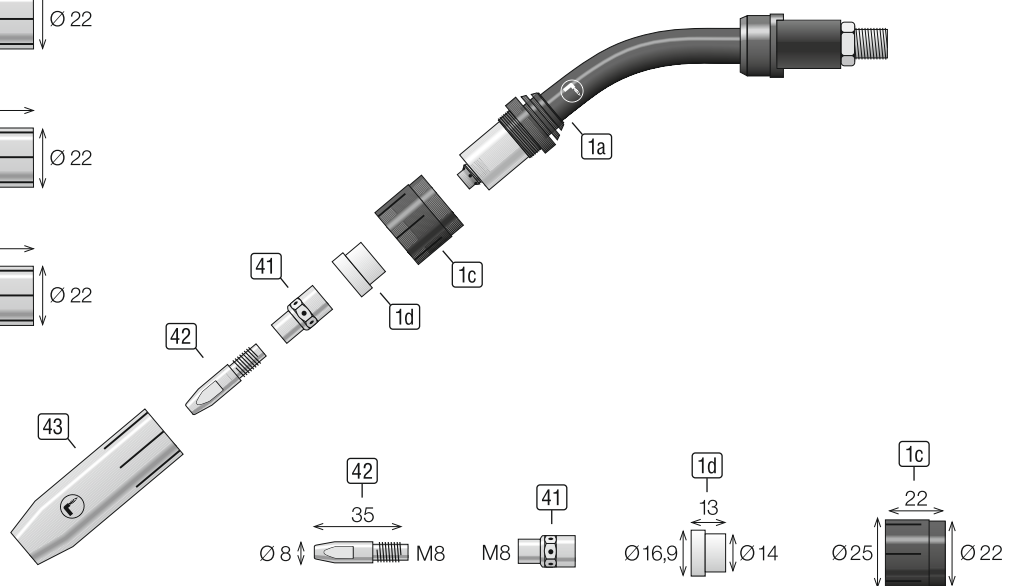
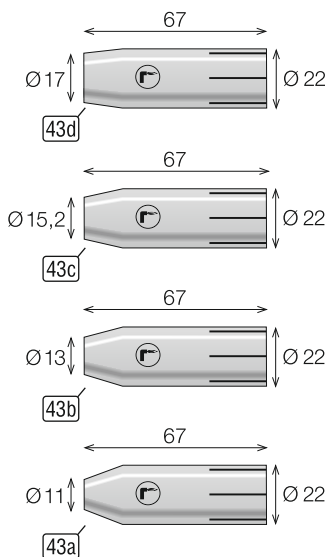
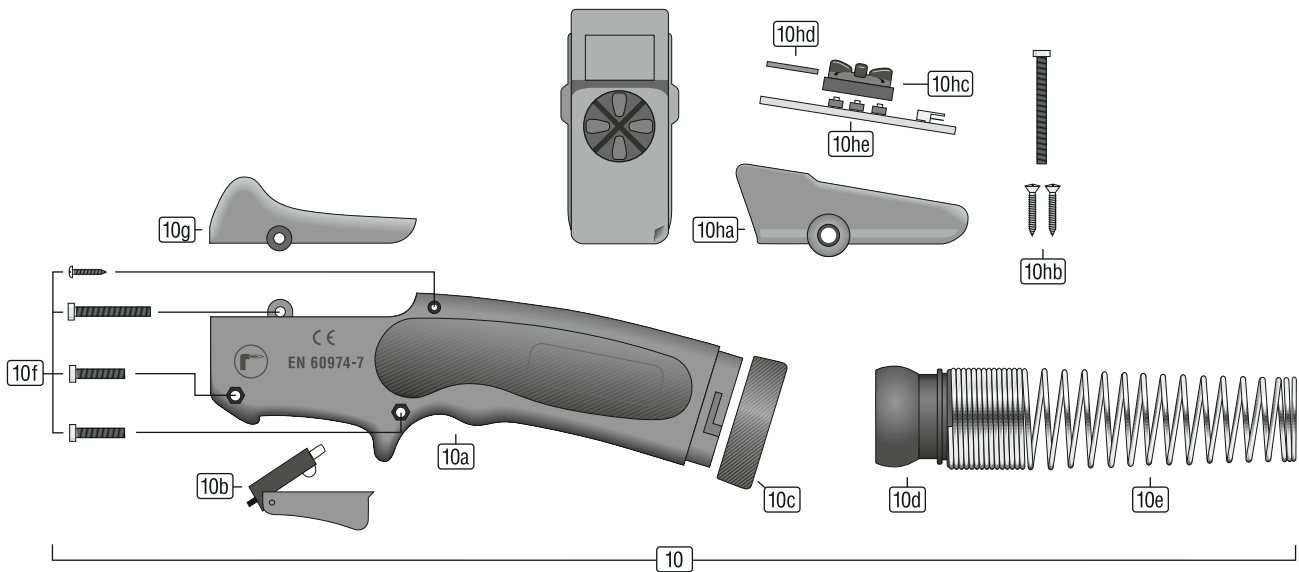
CO₂ – 300 A – 40 % Duty Cycle

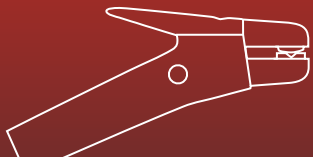
ArCO₂ – 250 A – 40 % Duty Cycle

Handle RMC MIG

RMC MIG – standard

RMC MIG – Up/Down





MIG/MAG Torches MAP – RM 300 L

Air Cooled– CO₂ 300 A, 40 % Duty Cycle (190 A, 100 % Duty Cycle) – ArCO₂ 250 A, 40 % Duty Cycle (150 A, 100 % Duty Cycle)
equipped with spare parts for Ø 1.0 mm steel wire

Position	Article Description	Order Number
	RM 300 L/3.5m, Standard, LF with 9 Pol	M.F000.L30SF35
	RM 300 L/4.5m, Standard, LF with 9 Pol	M.F000.L30SF45
	RM 300 L/3.5m, UpDown, LF with 9 Pol	M.F000.L30UF35
	RM 300 L/4.5m, UpDown, LF with 9 Pol	M.F000.L30UF45
	RM 300 L/3.5m, Standard, GZ-2F (Euro-ZA)	M.F000.L30SE35
	RM 300 L/4.5m, Standard, GZ-2F (Euro-ZA)	M.F000.L30SE45

Replacement Parts Handle

Position	Article Description	Order Number
10	Handle SET RMC Standard MAP (Air Cooled)	M.0005.0110-RT
	Handle SET RMC UpDown MAP	M.0005.0112-RT
10a	Handle Pair RMC (le+ri) MAP	M.0005.1110-RT
10b	Switch	M.T005.0106
10c	Lock Ring RMC	M.0005.1190
10d	Ball Joint	M.T005.0105
10e	Bend Protection Spring Small (Standard)	M.T005.0111
	Bend Protection Spring Big (UpDown)	M.T005.0110
10f	Screw Set RMC	M.0005.1903
10g	Top Frame RMC Standard	M.0005.1191-SW
10ha	Top Frame RMC Remote (le+ri) (UpDown)	M.0005.5101-SW
10hb	Screw Set RMC Remote	M.0005.1904
10hc	Switch Rubber RMC (UpDown)	M.0005.4101
10hd	Cover Window RMC (UpDown)	M.0005.5191-SW
10he	Circuit Board UpDown	M.0005.1217

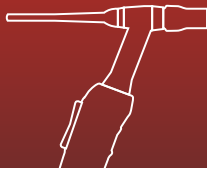
Replacement Parts Swan Neck

Position	Article Description	Order Number
1a	Swan Neck RM 300 L	M.F001.RM300L

Spare Parts

Position	Article Description	Order Number
1c	Fixing Sleeve iØ 22 mm, oØ 25 mm, L=22 mm	M.F002.0211
1d	Insulator iØ 14 mm, oØ 16.9 mm, L=13 mm	M.F002.0111
41	Contact Tip Holder M8, SW14, L=28 mm	M.F002.0311
42	Contact Tip CuCrZr M8, L=35 mm, Ø 0.8	M.F004.0201
	Contact Tip CuCrZr M8, L=35 mm, Ø 0.9	M.F004.0202
	Contact Tip CuCrZr M8, L=35 mm, Ø 1.0	M.F004.0203
	Contact Tip CuCrZr M8, L=35 mm, Ø 1.2	M.F004.0204
	Contact Tip CuCrZr M8, L=35 mm, Ø 0.8 ZB4.1	M.F004.0221
	Contact Tip CuCrZr M8, L=35 mm, Ø 1.0 ZB4.1	M.F004.0222
	Contact Tip CuCrZr M8, L=35 mm, Ø 1.2 ZB4.1	M.F004.0223
	Contact Tip CuCrZr M8, L=35 mm, Ø 1.4 ZB4.1	M.F004.0224
43a	Gas Nozzle Conical iØ 11 mm, aØ 22 mm, L=67 mm	M.F003.0113
43b	Gas Nozzle Conical iØ 13 mm, oØ 22 mm, L=67 mm	M.F003.0112
43c	Gas Nozzle Conical iØ 15.2 mm, oØ 22 mm, L=67 mm	M.F003.0111
43d	Gas Nozzle Cylindrical iØ 17 mm, oØ 22 mm, L=67 mm	M.F003.0110

For information about torch packages, central connections and liners go to rubric 2.2.L

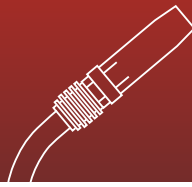
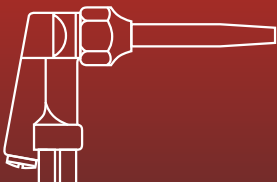


2.2.3

MIG/MAG Torch RM 400 L



MIG/MAG Torch MAP – RM 400 L		
Duty cycle (10 min. cycle)		
Capacity	at 40% duty cycle	at 100% duty cycle
– CO ₂	400 amps.	250 amps
– ArCO ₂	350 amps.	220 amps
At pulsed arc the duty cycles decrease up to 35%!		
Type of cooling:	Air cooling	
Wire diameter:	1.0–1.6 mm	
Gas flow:	ca. 15 l/min	
Standard:	Conform to EN 60 974-7	
Connection:	Central connector LF suitable to MIG/MAG power sources of the manufacturer “fronius” Central connector GZ-2F (Euro-ZA)	



RM 400 L, Air Cooled

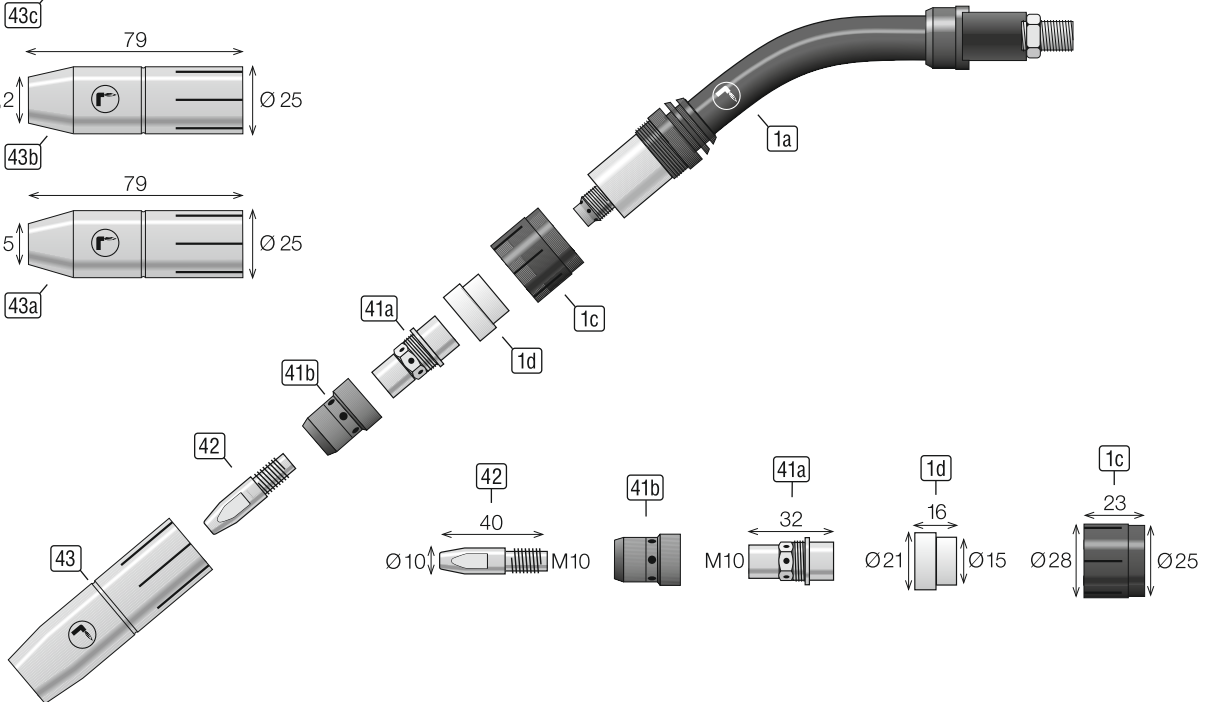
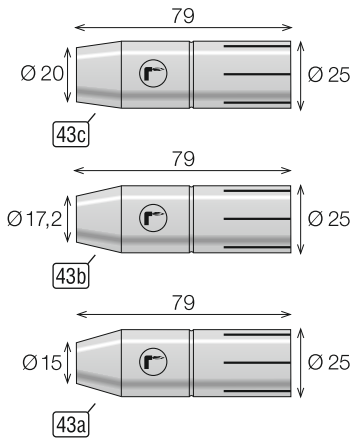
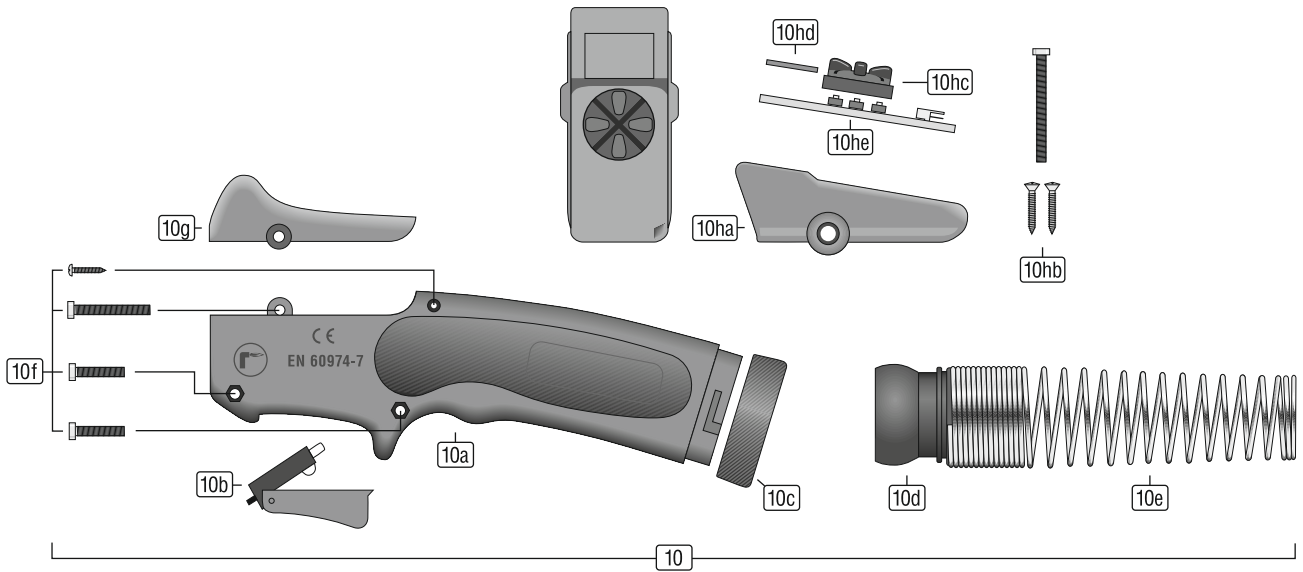
CO₂ – 400 A – 40 % Duty Cycle

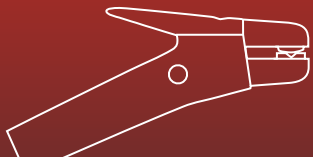
ArCO₂ – 350 A – 40 % Duty Cycle

Handle RMC MIG

RMC MIG – standard

RMC MIG – Up/Down





MIG/MAG Torches MAP – RM 400 L

Air Cooled – CO₂ 400 A, 40 % Duty Cycle (250 A, 100 % Duty Cycle) – ArCO₂ 350 A, 40 % Duty Cycle (220 A, 100 % Duty Cycle)
equipped with spare parts for Ø 1.2 mm steel wire

Position	Article Description	Order Number
	RM 400 L/3.5 m, Standard, LF with 9 Pol	M.F000.L40SF35
	RM 400 L/4.5 m, Standard, LF with 9 Pol	M.F000.L40SF45
	RM 400 L/3.5 m, UpDown, LF with 9 Pol	M.F000.L40UF35
	RM 400 L/4.5 m, UpDown, LF with 9 Pol	M.F000.L40UF45
	RM 400 L/3.5 m, Standard, GZ-2F (Euro-ZA)	M.F000.L40SE35
	RM 400 L/4.5 m, Standard, GZ-2F (Euro-ZA)	M.F000.L40SE45

Replacement Parts Handle

Position	Article Description	Order Number
10	Handle SET RMC Standard MAP (Air Cooled)	M.0005.0110-RT
	Handle SET RMC UpDown MAP	M.0005.0112-RT
10a	Handle Pair RMC (le+ri) MAP	M.0005.1110-RT
10b	Switch	M.T005.0106
10c	Lock Ring RMC	M.0005.1190
10d	Ball Joint	M.T005.0105
10e	Bend Protection Spring Small (Standard)	M.T005.0111
	Bend Protection Spring Big (UpDown)	M.T005.0110
10f	Screw Set RMC	M.0005.1903
10g	Top Frame RMC Standard	M.0005.1191-SW
10ha	Top Frame RMC Remote (le+ri) (UpDown)	M.0005.5101-SW
10hb	Screw Set RMC Remote	M.0005.1904
10hc	Switch Rubber RMC (UpDown)	M.0005.4101
10hd	Cover Window RMC (UpDown)	M.0005.5191-SW
10he	Circuit Board UpDown	M.0005.1217

Replacement Parts Swan Neck

Position	Article Description	Order Number
1a	Swan Neck RM 400 L	M.F001.RM400L

Spare Parts

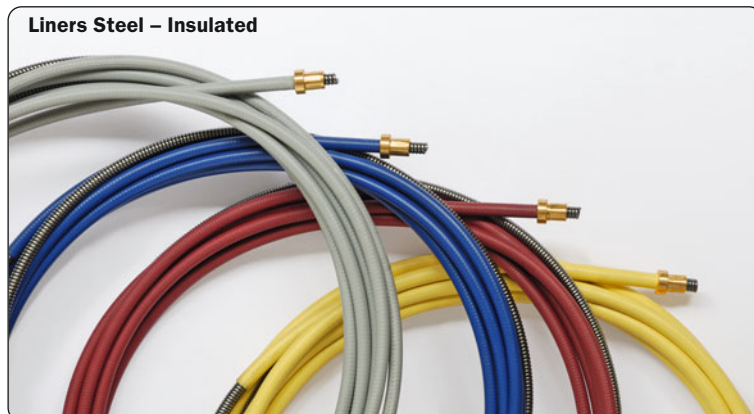
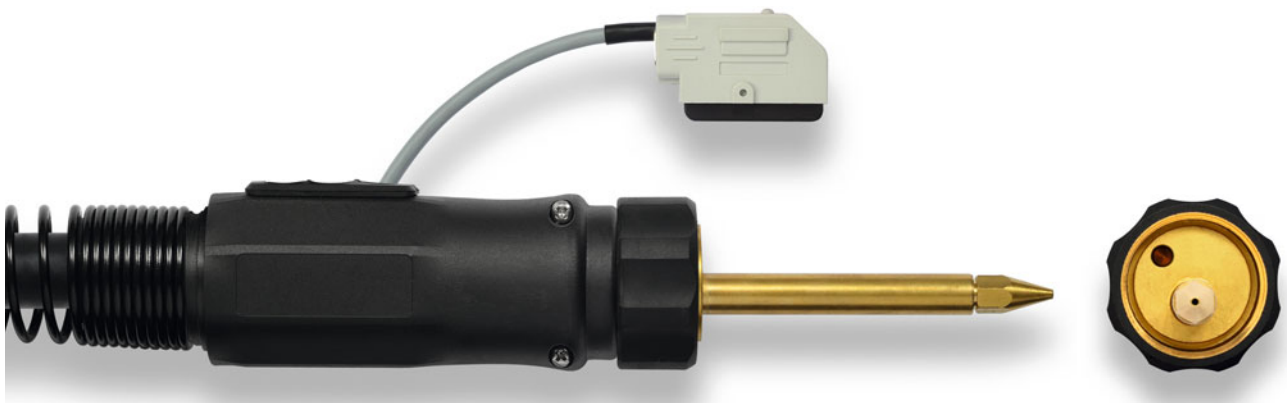
Position	Article Description	Order Number
1c	Fixing Sleeve, iØ 25 mm, oØ 28 mm, L=23 mm	M.F002.0221
1d	Insulator, iØ 15 mm, oØ 21 mm, L=16 mm	M.F002.0121
41a	Contact Tip Holder, M10, SW13, L=32 mm	M.F002.0321
41b	Gas Diffusor, iØ 10.1 mm, oØ 20.8 mm, L=28.5 mm	M.F002.0401
42	Contact Tip CuCrZr, M10, L=40 mm, Ø 0.8mm	M.F004.0301
	Contact Tip CuCrZr, M10, L=40 mm, Ø 0.9mm	M.F004.0302
	Contact Tip CuCrZr, M10, L=40 mm, Ø 1.0mm	M.F004.0303
	Contact Tip CuCrZr, M10, L=40 mm, Ø 1.2mm	M.F004.0304
	Contact Tip CuCrZr, M10, L=40 mm, Ø 1.4mm	M.F004.0305
	Contact Tip CuCrZr, M10, L=40 mm, Ø 1.6mm	M.F004.0306
	Contact Tip CuCrZr, M10, L=40 mm, Ø 0.9mm ZB4,1	M.F004.0321
	Contact Tip CuCrZr M10 L=40 mm Ø 1.0 mm ZB4,1	M.F004.0322
	Contact Tip CuCrZr M10 L=40 mm Ø 1.2 mm ZB4,1	M.F004.0324
	Contact Tip CuCrZr M10 L=40 mm Ø 1.4 mm ZB4,1	M.F004.0326
	Contact Tip CuCrZr M10 L=40 mm Ø 1.6 mm ZB4,8	M.F004.0327
43a	Gas Nozzle Conical iØ 15 mm aØ 25 mm L=79 mm	M.F003.0124
43b	Gas Nozzle Conical iØ 17,2 mm aØ 25 mm L=79 mm	M.F003.0122
43c	Gas Nozzle Cylindrical iØ 20 mm aØ 25 mm L=79 mm	M.F003.0121

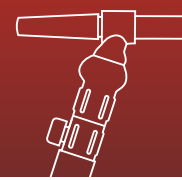
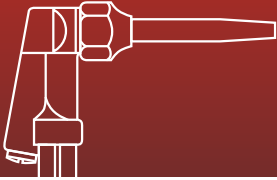
For information about torch packages, central connections and liners go to rubric 2.2.L



2.2.L

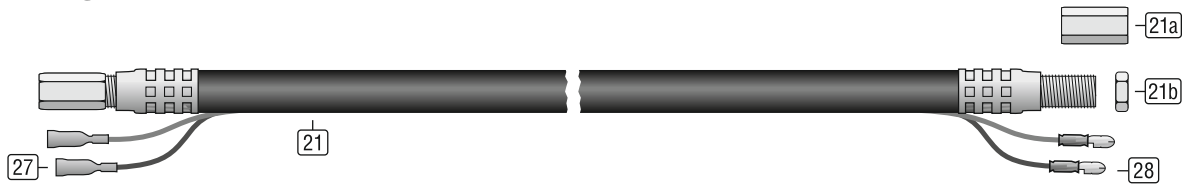
**Torch Packages
Central Connections
Liners
Air Cooled**



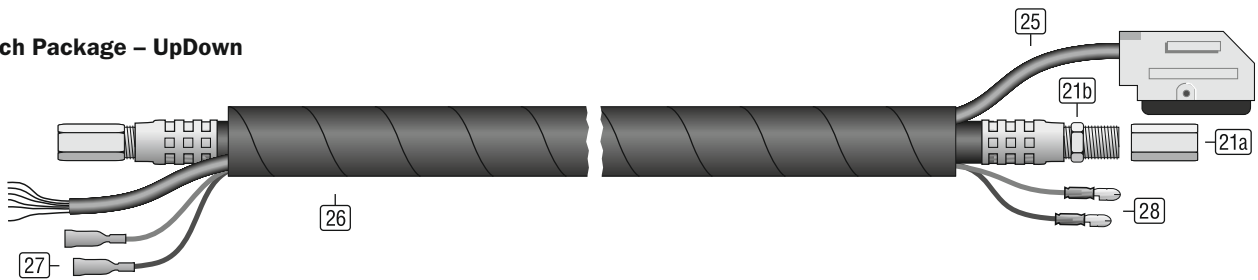


Torch Packages, Air Cooled

Torch Package – Standard

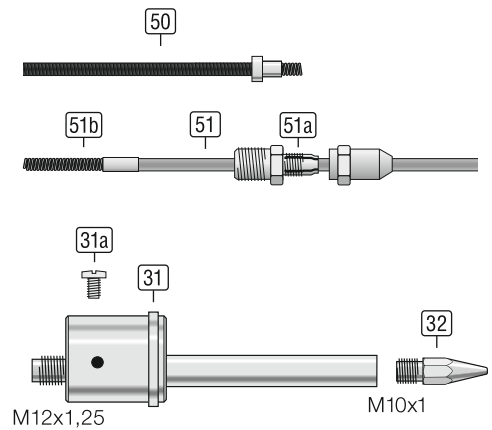
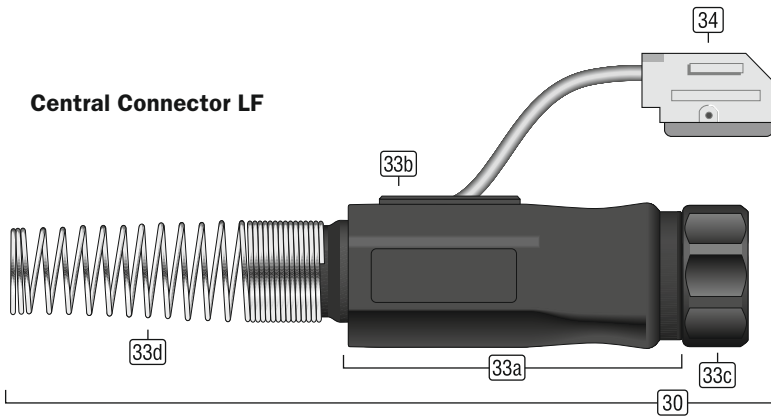


Torch Package – UpDown

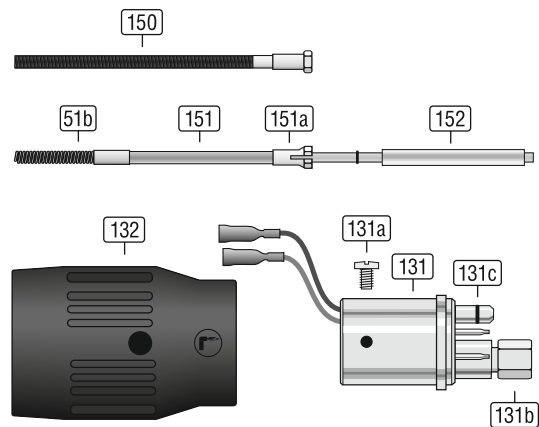
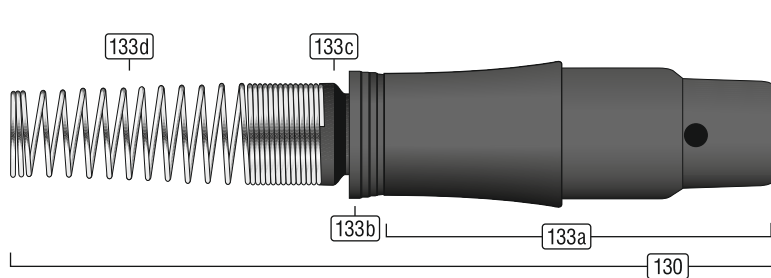


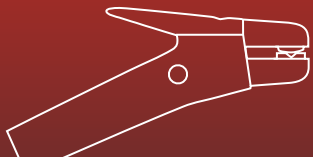
Central Connections, Air Cooled

Central Connector LF



Central Connector GZ-2F (Euro-ZA)





Replacement Parts Torch Package Standard

Position	Article Description	Order Number
21	Coaxial-Cable/3.5 m, Rubber 25 mm ² , MAP	M.F008.5035
	Coaxial-Cable/4.5 m, Rubber 25 mm ² , MAP	M.F008.5045
	Coaxial-Cable/3.5 m, Rubber 35 mm ² , MAP	M.F008.5135
	Coaxial-Cable/4.5 m, Rubber 35 mm ² , MAP	M.F008.5145
	Coaxial-Cable/3.5 m, Rubber 50 mm ² , MAP	M.F008.5235
	Coaxial-Cable/4.5 m, Rubber 50 mm ² , MAP	M.F008.5245
21a	Adapter M12x1.25 rh inner thread – M10x1 rh inner thread	M.F008.5001
21b	Counter Nut M10x1 RH SW12 L=3,5mm	855053322R
25	Control Cord/3.5 m UpDown 9 Pole	M.F008.2135
	Control Cord/4.5 m UpDown 9 Pole	M.F008.2145
26	Cover Sheat HSF iØ 28 mm black	85514542815
27	Socket 2.8 x 0.5 mm	85523FH2808RT
28	Plug insulated red 4 mm	85523RS4000RT

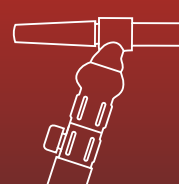
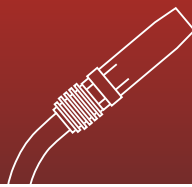
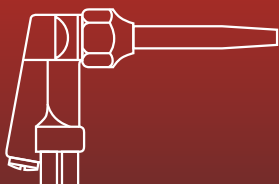
Replacement Parts Central Connector “LF”

Position	Article Description	Order Number
30	Central Connector SET LF	M.F007.0100
31	Central Connector Plug Insert LF	M.F007.0101
31a	Srew for Central Connector	M.F007.0430
32	Wire Tip Cap, Ø 0.8, SW10, L=32.5 mm	M.F007.0501
	Wire Tip Cap, Ø 1.0, SW10, L=32.5 mm	M.F007.0502
	Wire Tip Cap, Ø 1.2, SW10, L=32.5 mm	M.F007.0503
	Wire Tip Cap, Ø 1.6, SW10, L=32.5 mm	M.F007.0504
33a	Central Connector Case LF/WFEX/WFI	M.F007.0402
33b	Cable inlet	855151ZG6-017
33c	Central connector-connection nut LF/WFEX/WFI	M.F007.0401
33d	Bend protection large/water	855151ZG6-022
34	Control Cable/0.5 m Standard 9 Pole	M.F008.2005

Wire Liner for Connection “LF”

Position	Article Description	Order Number
50	Liner Steel/3.5 m Insulated Blue Wire, Ø 0.6–0.8 mm	M.F006.2135
	Liner Steel/4.5 m Insulated Blue Wire, Ø 0.6–0.8 mm	M.F006.2145
	Liner Steel/3.5 m Insulated Red Wire, Ø 1.0–1.2 mm	M.F006.2235
	Liner Steel/4.5 m Insulated Red Wire, Ø 1.0–1.2 mm	M.F006.2245
	Liner Steel/3.5 m Insulated Yellow Wire, Ø 1.4–1.6 mm	M.F006.2335
	Liner Steel/4.5 m Insulated Yellow Wire, Ø 1.4–1.6 mm	M.F006.2345
51	Liner Combi/3.5 m Blue Wire, Ø 0.6–0.8 mm	M.F006.3135
	Liner Combi/4.5 m Blue Wire, Ø 0.6–0.8 mm	M.F006.3145
	Liner Combi/3.5 m Red Wire, Ø 1.0–1.2 mm	M.F006.3235
	Liner Combi/4.5 m Red Wire, Ø 1.0–1.2 mm	M.F006.3245
	Liner Combi/3.5 m Yellow Wire, Ø 1.4–1.6 mm	M.F006.3335
	Liner Combi/4.5 m Yellow Wire, Ø 1.4–1.6 mm	M.F006.3345
51a	Wire Tip Cap Liner Combi	M.F006.3000
51b	Bronze spiral iØ 1.9	MSK-S-BR350-1
	Bronze spiral iØ 2.2	MSK-S-BR350-2

For information about torch packages, central connections and liners go to rubric 2.2.W.



Replacement Parts Central Connector “GZ-2F” (Euro-ZA) with Spring Pin Contacts

Position	Article Description	Order Number
130	Central Connector SET GZ-2F	M.T007.0020
131	Central Connector Plug Insert GZ-2F with Spring Pin Contacts	M.T007.0102
131a	Screw for Central Connector Block	M.T007.0901
131b	Nut for Wire Guide	8551511ZDM
131c	O-Ring for Gas Pin	8551511ZOG
132	Connectionnut	855151ZG7-222
133a	MIG-Central Connector Case aircooled	855151ZG7-112
133b	Lock Ring	M.T005.0104
133c	Ball Joint	M.T005.0105
133d	Bend Protection Spring aircooled (Standard)	M.T005.0111
	Bend Protection Spring watercooled (UpDown)	M.T005.0110

Wire Liner for Connection “GZ-2F” (Euro-ZA)

Position	Article Description	Order Number
150	Liner Steel/3.5 m Insulated Blue Wire Ø 0.6–0.8 mm	M.F006.6135
	Liner Steel/4.5 m Insulated Blue Wire Ø 0.6–0.8 mm	M.F006.6145
	Liner Steel/3.5 m Insulated Red Wire Ø 1.0–1.2 mm	M.F006.6235
	Liner Steel/4.5 m Insulated Red Wire Ø 1.0–1.2 mm	M.F006.6245
	Liner Steel/3.5 m Insulated Yellow Wire Ø 1.4–1.6 mm	M.F006.6335
	Liner Steel/4.5 m Insulated Yellow Wire Ø 1.4–1.6 mm	M.F006.6345
151	Liner Combi/3.5 m Blue Wire Ø 0.6–0.8 mm	M.F006.7135
	Liner Combi/4.5 m Blue Wire Ø 0.6–0.8 mm	M.F006.7145
	Liner Combi/3.5 m Red Wire Ø 1.0–1.2 mm	M.F006.7235
	Liner Combi/4.5 m Red Wire Ø 1.0–1.2 mm	M.F006.7245
	Liner Combi/3.5 m Yellow Wire Ø 1.4–1.6 mm	M.F006.7335
	Liner Combi/4.5 m Yellow Wire Ø 1.4–1.6 mm	M.F006.7345
151a	Nippel for Liner Plastic	MSK-H
51b	Bronze spiral iØ 1.9	MSK-S-BR350-1
	Bronze spiral iØ 2.2	MSK-S-BR350-2
152	Guide Tube	MSK-F-XXX
		XXX = 200, 300, 500, 1000 mm

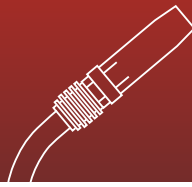
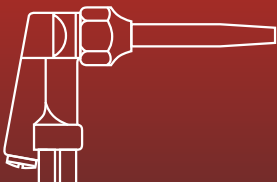


2.2.4

MIG/MAG Torch RM 250 W



MIG/MAG Torch MAP – RM 250 W	
Capacity at 100 % duty cycle	
Duty cycle (10 min. cycle):	
– CO ₂	250 amps
– ArCO ₂	220 amps
At pulsed arc the duty cycles decrease up to 35 %!	
Type of cooling:	Water cooling
Wire diameter:	0.6–1.2 mm
Gas flow:	ca. 8 l/min
Standard:	Conform to EN 60 974-7
Connection:	Central connector LF suitable to MIG/MAG power sources of the manufacturer “fronius” Central connector WZ-2F (Euro-ZA)



RM 250 W, Water Cooled

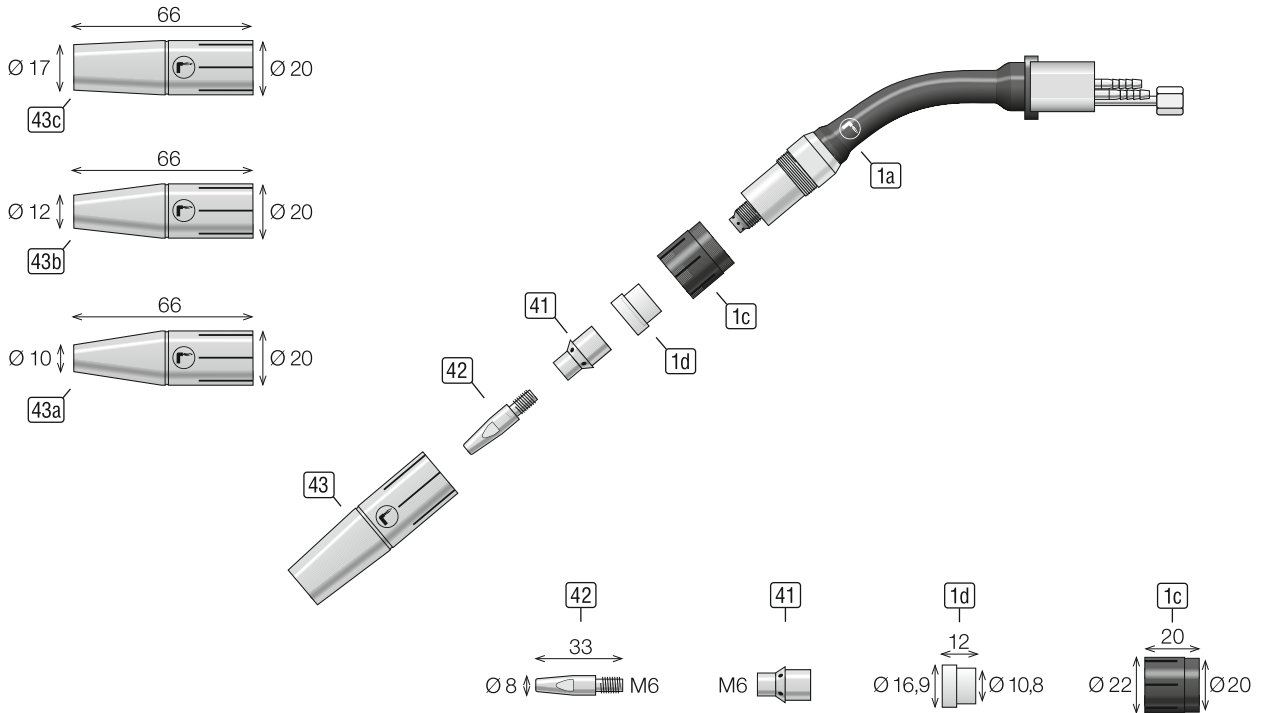
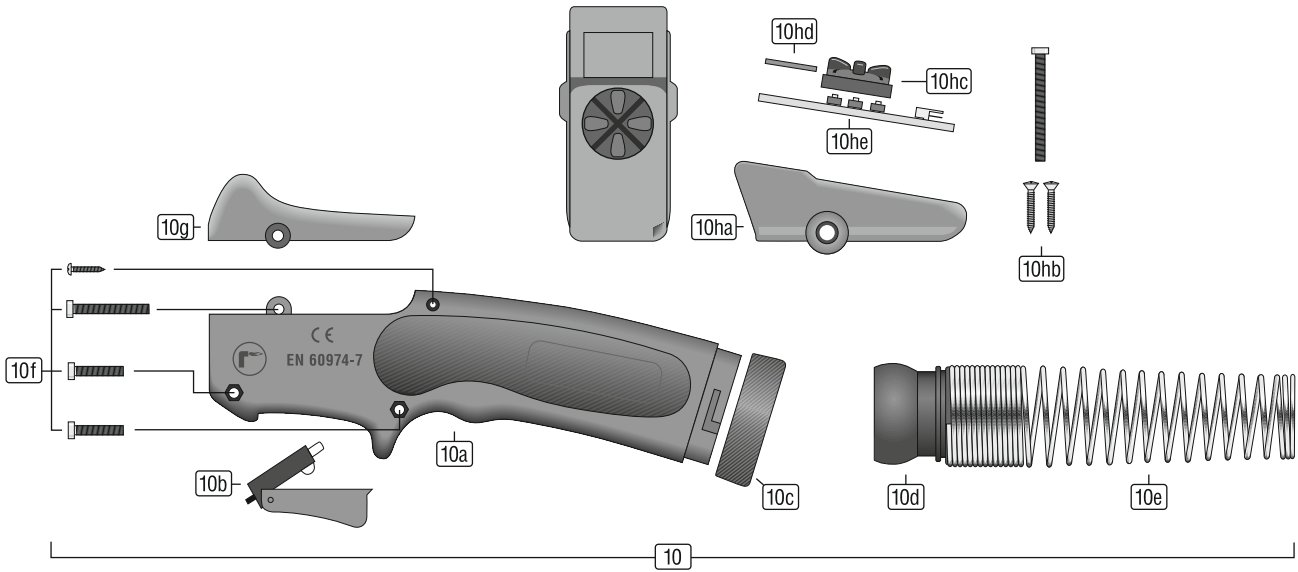
CO₂ – 250 A – 100 % Duty Cycle

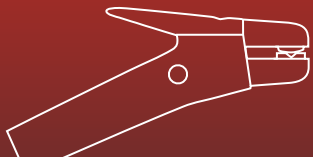
ArCO₂ – 220 A – 100 % Duty Cycle

Handle RMC MIG

RMC MIG – standard

RMC MIG – Up/Down





MIG/MAG Torches MAP – RM 250 W

Water Cooled, CO₂ – 250 A – 100% Duty Cycle, ArCO₂ – 220 A – 100% Duty Cycle
equipped with spare parts for Ø 1.0 mm steel wire

Position	Article Description	Order Number
	RM 250 W/3.5 m, Standard, WFEX with 9 Pol	M.F000.W25SF35
	RM 250 W/4.5 m, Standard, WFEX with 9 Pol	M.F000.W25SF45
	RM 250 W/3.5 m, UpDown, WFEX with 9 Pol	M.F000.W25UF35
	RM 250 W/4.5 m, UpDown, WFEX with 9 Pol	M.F000.W25UF45
	RM 250 W/3.5 m, Standard, WFI with 9 Pol	M.F000.W25SZ35
	RM 250 W/4.5 m, Standard, WFI with 9 Pol	M.F000.W25SZ45
	RM 250 W/3.5 m, Standard, WZ-2F with Spring Pin Contacts	M.F000.W25SE35
	RM 250 W/4.5 m, Standard, WZ-2F with Spring Pin Contacts	M.F000.W25SE45

Replacement Parts Handle

Position	Article Description	Order Number
10	Handle SET RMC Standard MAP (watercooled)	M.0005.0111-RT
	Handle SET RMC UpDown MAP	M.0005.0112-RT
10a	Handle Pair RMC (le+ri) MAP red	M.0005.1110-RT
10b	Switch	M.T005.0106
10c	Lock Ring RMC	M.0005.1190
10d	Ball Joint	M.T005.0105
10e	Bend protection (Standard)	M.T005.0111
	Bend protection (UpDown)	M.T005.0110
10f	Screw Set RMC	M.0005.1903
10g	Top Frame RMC Standard	M.0005.1191-SW
10ha	Top Frame RMC Remote (le+ri) (UpDown)	M.0005.5101-SW
10hb	Screw Set RMC Remote	M.0005.1904
10hc	Switch Rubber RMC (UpDown)	M.0005.4101
10hd	Cover Window RMC (UpDown)	M.0005.5191-SW
10he	Circuit Board UpDown	M.0005.1217

Replacement Parts Swan Neck

Position	Article Description	Order Number
1a	Swan Neck RM 250 W	M.F001.RM250W

Spare Parts

Position	Article Description	Order Number
1c	Fixing Sleeve iØ 20 mm, aØ 22 mm, L=20 mm	M.F002.0201
1d	Insulator iØ 10.8 mm, aØ 16.9 mm, L=12 mm	M.F002.0101
41	Contact Tip Holder M6, SW12, L=24 mm	M.F002.0301
42	Contact Tip CuCrZr M6, L=33 mm, Ø 0.6 mm	M.F004.0101
	Contact Tip CuCrZr M6, L=33 mm, Ø 0.8 mm	M.F004.0102
	Contact Tip CuCrZr M6, L=33 mm, Ø 0.9 mm	M.F004.0103
	Contact Tip CuCrZr M6, L=33 mm, Ø 1.0 mm	M.F004.0104
	Contact Tip CuCrZr M6, L=33 mm, Ø 1.2 mm	M.F004.0105
43a	Gas Nozzle Conical, iØ 10 mm, aØ 20 mm, L=66 mm	M.F003.0103
43b	Gas Nozzle Conical, iØ 12 mm, aØ 20 mm, L=66 mm	M.F003.0102
43c	Gas Nozzle Cylindrical, iØ 17 mm, aØ 20 mm, L=66 mm	M.F003.0101

For information about torch packages, central connections and liners go to rubric 2.2.W



2.2.5

MIG/MAG Torch RM 400 W



MIG/MAG Torch MAP- RM 400 W

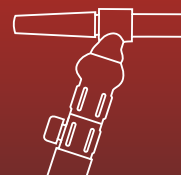
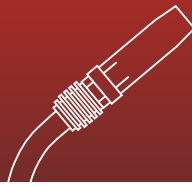
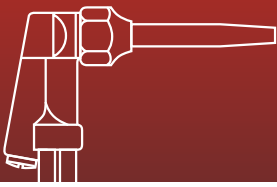
Capacity at 100 % duty cycle

Duty cycle (10 min. cycle):

- CO₂ 400 amps
- ArCO₂ 350 amps

At pulsed arc the duty cycles decrease up to 35 %!

Type of cooling:	Water cooling
Wire diameter:	0.8–1.2 mm
Gas flow:	ca. 12 l/min
Standard:	Conform to EN 60974-7
Connection:	Central connector WFI, WFEX suitable to MIG/MAG power sources of the manufacturer "fronius" Central connector WZ-2F (Euro-ZA)



RM 400 W, Water Cooled

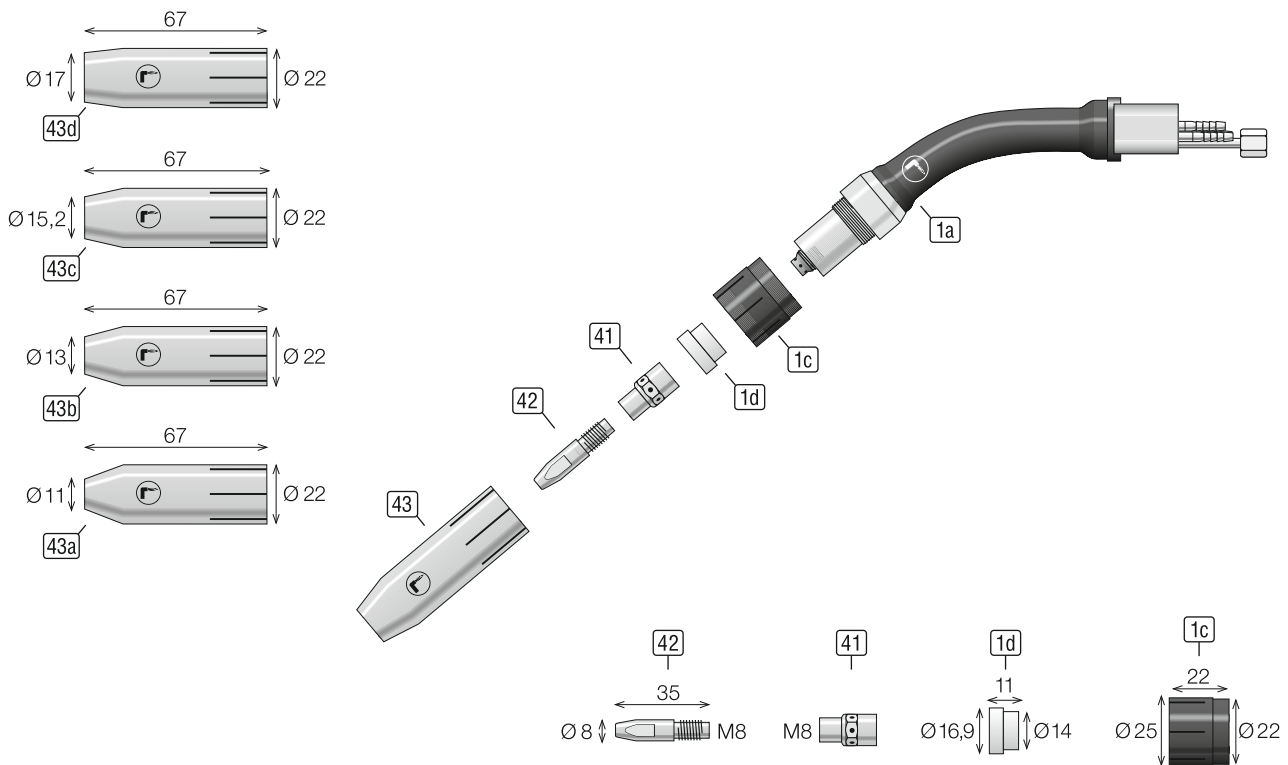
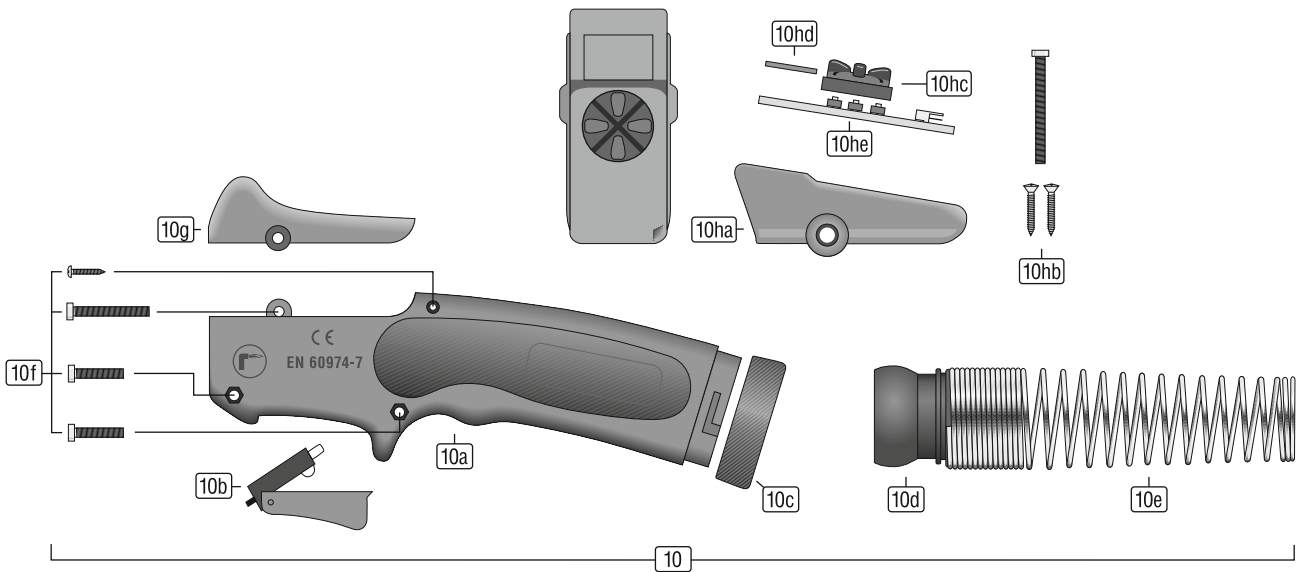
CO₂ – 400 A – 100% Duty Cycle

ArCO₂ – 350 A – 100% Duty Cycle

Handle RMC MIG

RMC MIG – standard

RMC MIG – Up/Down





MIG/MAG Torches MAP – RM 400 W

Water Cooled, CO₂ – 400 A – 100% Duty Cycle, ArCO₂ – 350 A – 100% Duty Cycle
equipped with spare parts for Ø 1.2 mm steel wire

Position	Article Description	Order Number
	RM 400 W/3.5 m, Standard, WFEX with 9 Pol	M.F000.W40SF35
	RM 400 W/4.5 m, Standard, WFEX with 9 Pol	M.F000.W40SF45
	RM 400 W/3.5 m, UpDown, WFEX with 9 Pol	M.F000.W40UF35
	RM 400 W/4.5 m, UpDown, WFEX with 9 Pol	M.F000.W40UF45
	RM 400 W/3.5 m, Standard, WFI with 9 Pol	M.F000.W40SZ35
	RM 400 W/4.5 m, Standard, WFI with 9 Pol	M.F000.W40SZ45
	RM 400 W/3.5 m, Standard, WZ-2F (Euro-ZA)	M.F000.W40SE35
	RM 400 W/4.5 m, Standard, WZ-2F (Euro-ZA)	M.F000.W40SE45

Replacement Parts Handle

Position	Article Description	Order Number
10	Handle SET RMC Standard MAP (water cooled)	M.0005.0111-RT
	Handle SET RMC UpDown MAP	M.0005.0112-RT
10a	Handle Pair RMC (le+ri) MAP red	M.0005.1110-RT
10b	Switch	M.T005.0106
10c	Lock Ring RMC	M.0005.1190
10d	Ball Joint	M.T005.0105
10e	Bend Protection (Standard)	M.T005.0111
	Bend Protection Spring Big (UpDown)	M.T005.0110
10f	Screw Set RMC	M.0005.1903
10g	Top Frame RMC Standard	M.0005.1191-SW
10ha	Top Frame RMC Remote (le+ri) (UpDown)	M.0005.5101-SW
10hb	Screw Set RMC Remote	M.0005.1904
10hc	Switch Rubber RMC (UpDown)	M.0005.4101
10hd	Cover Window RMC (UpDown)	M.0005.5191-SW
10he	Circuit Board UpDown	M.0005.1217

Replacement Parts Swan Neck

Position	Article Description	Order Number
1a	Swan Neck RM400W	M.F001.RM400W

Spare Parts

Position	Article Description	Order Number
1c	Fixing Sleeve iØ 22 mm, aØ 25 mm, L=22 mm	M.F002.0211
1d	Insulator iØ 14 mm, aØ 16.9 mm, L=11 mm	M.F002.0112
41	Contact Tip Holder M8, SW14, L=28 mm	M.F002.0311
42	Contact Tip CuCrZr M8, L=35 mm, Ø 0.8 mm	M.F004.0201
	Contact Tip CuCrZr M8, L=35 mm, Ø 0.9 mm	M.F004.0202
	Contact Tip CuCrZr M8, L=35 mm, Ø 1.0 mm	M.F004.0203
	Contact Tip CuCrZr M8, L=35 mm, Ø 1.2 mm	M.F004.0204
	Contact Tip CuCrZr M8, L=35 mm, Ø 0.8 mm, ZB 4.1	M.F004.0221
	Contact Tip CuCrZr M8, L=35 mm, Ø 0.9 mm, ZB 4.1	M.F004.0222
	Contact Tip CuCrZr M8, L=35 mm, Ø 1.0 mm, ZB 4.1	M.F004.0223
	Contact Tip CuCrZr M8, L=35 mm, Ø 1.2 mm, ZB 4.1	M.F004.0224
43a	Gas Nozzle Conical, iØ 11 mm, aØ 22 mm, L=67 mm	M.F003.0113
43b	Gas Nozzle Conical, iØ 13 mm, aØ 22 mm, L=67 mm	M.F003.0112
43c	Gas Nozzle Conical, iØ 15.2 mm, aØ 22 mm, L=67 mm	M.F003.0111
43d	Gas Nozzle Cylindrical iØ 17.0 mm, aØ 22 mm, L=67 mm	M.F003.0110

For information about torch packages, central connections and liners go to rubric 2.2.W

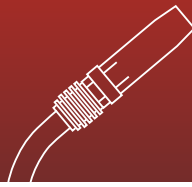
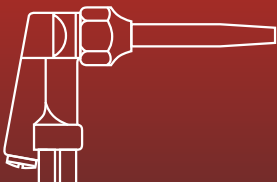


2.2.6

MIG/MAG Torch RM 500 W



MIG/MAG Torch MAP – RM 500 W	
Capacity at 100 % duty cycle	
Duty cycle (10 min. cycle):	
- CO ₂	500 amps
- ArCO ₂	400 amps
At pulsed arc the duty cycles decrease up to 35 %!	
Type of cooling:	Water cooling
Wire diameter:	1.0–1.6 mm
Gas flow:	ca. 15 l/min
Standard:	Conform to EN 60 974-7
Connection:	Central connector WFI, WFEX suitable to MIG/MAG power sources of the manufacturer “fronius” Central connector WZ-2F (Euro-ZA)



RM 500 W, Water Cooled

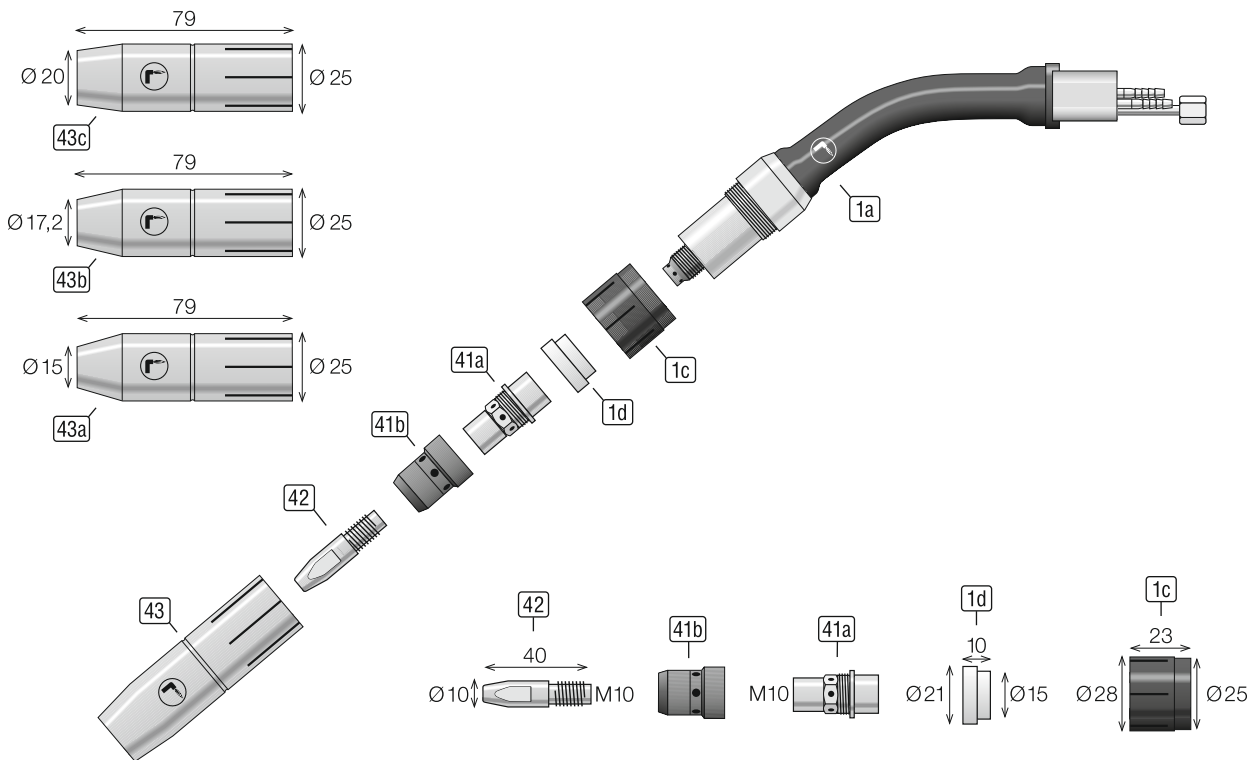
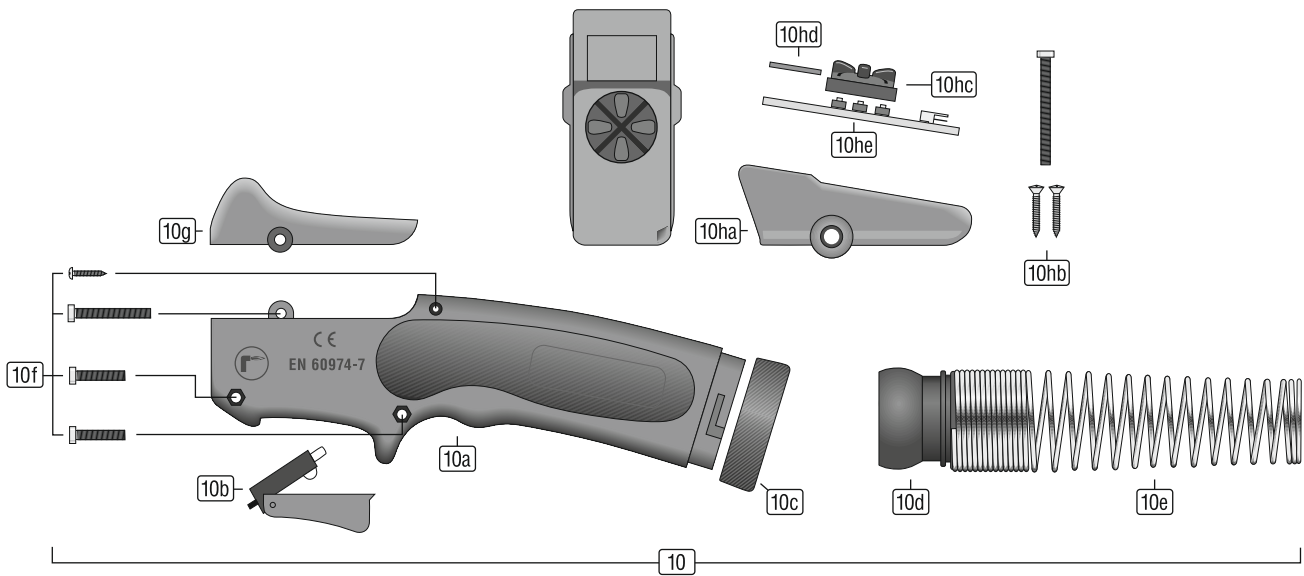
CO₂ – 500 A – 100 % Duty Cycle

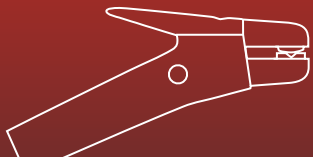
ArCO₂ – 400 A – 100% Duty Cycle

Handle RMC MIG

RMC MIG – standard

RMC MIG – Up/Down





MIG/MAG Torches MAP – RM 500 W

Water Cooled, CO₂ – 500 A – 100% Duty Cycle, ArCO₂ – 400 A – 100% Duty Cycle

Position	Article Description	Order Number
	RM 500 W/3.5 m, Standard, WFEX with 9 Pol	M.F000.W50SF35
	RM 500 W/4.5 m, Standard, WFEX with 9 Pol	M.F000.W50SF45
	RM 500 W/3.5 m, UpDown, WFEX with 9 Pol	M.F000.W50UF35
	RM 500 W/4.5 m, UpDown, WFEX with 9 Pol	M.F000.W50UF45
	RM 500 W/3.5 m, Standard, WFI with 9 Pol	M.F000.W50SZ35
	RM 500 W/4.5 m, Standard, WFI with 9 Pol	M.F000.W50SZ45
	RM 500 W/3.5 m, Standard, WZ-2F (Euro-ZA)	M.F000.W50SE35
	RM 500 W/4.5 m, Standard, WZ-2F (Euro-ZA)	M.F000.W50SE45

Replacement Parts Handle

Position	Article Description	Order Number
10	Handle SET RMC Standard MAP (watercooled)	M.0005.0111-RT
	Handle SET RMC UpDown MAP	M.0005.0112-RT
10a	Handle Pair RMC (le+ri) MAP red	M.0005.1110-RT
10b	Switch	M.T005.0106
10c	Lock Ring RMC	M.0005.1190
10d	Ball Joint	M.T005.0105
10e	Bend Protection (Standard)	M.T005.0111
	Bend Protection (UpDown)	M.T005.0110
10f	Screw Set RMC	M.0005.1903
10g	Screw Set RMC	M.0005.1191-SW
10ha	Top Frame RMC Remote (le+ri) (UpDown)	M.0005.5101-SW
10hb	Screw Set RMC Remote	M.0005.1904
10hc	Switch Rubber RMC (UpDown)	M.0005.4101
10hd	Cover Window RMC (UpDown)	M.0005.5191-SW
10he	Circuit Board UpDown	M.0005.1217

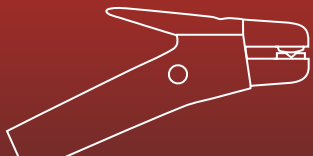
Replacement Parts Swan Neck

Position	Article Description	Order Number
1a	Swan Neck RM 500 W	M.F001.RM500W

Spare Parts

Position	Article Description	Order Number
1c	Fixing Sleeve iØ 25 mm, aØ 28 mm, L=23 mm	M.F002.0221
1d	Insulator iØ 15 mm, aØ 21 mm, L=10 mm	M.F002.0122
41a	Contact Tip Holder M10, SW13, L=32 mm	M.F002.0321
41b	Gas Diffusor	M.F002.0401
42	Contact Tip CuCrZr M10, L=40 mm, Ø 0.8 mm	M.F004.0301
	Contact Tip CuCrZr M10, L=40 mm, Ø 0.9 mm	M.F004.0302
	Contact Tip CuCrZr M10, L=40 mm, Ø 1.0 mm	M.F004.0303
	Contact Tip CuCrZr M10, L=40 mm, Ø 1.2 mm	M.F004.0304
	Contact Tip CuCrZr M10, L=40 mm, Ø 1.4 mm	M.F004.0305
	Contact Tip CuCrZr M10, L=40 mm, Ø 1.6 mm	M.F004.0306
	Contact Tip CuCrZr M10, L=40 mm, Ø 0.9 mm ZB 4.1	M.F004.0321
	Contact Tip CuCrZr M10, L=40 mm, Ø 1.0 mm ZB 4.1	M.F004.0322
	Contact Tip CuCrZr M10, L=40 mm, Ø 1.2 mm ZB 4.1	M.F004.0324
	Contact Tip CuCrZr M10, L=40 mm, Ø 1.4 mm ZB 4.1	M.F004.0326
	Contact Tip CuCrZr M10, L=40 mm, Ø 1.6 mm ZB 4.8	M.F004.0327
43a	Gas Nozzle Conical, iØ 15 mm, aØ 25 mm, L=79 mm	M.F003.0124
43b	Gas Nozzle Conical, iØ 17.2 mm, aØ 25 mm, L=79 mm	M.F003.0122
43c	Gas Nozzle Cylindrical, iØ 20 mm, aØ 25 mm, L=79 mm	M.F003.0121

For information about torch packages, central connections and liners go to rubric 2.2.W.

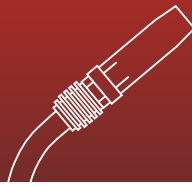
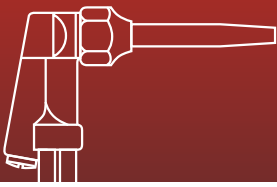


2.2.7

MIG/MAG Torch RM 700 W



MIG/MAG Torch MAP – RM 700 W	
Capacity at 100 % duty cycle	
Duty cycle (10 min. cycle):	
– CO ₂	700 amps
– ArCO ₂	650 amps
At pulsed arc the duty cycles decrease up to 35 %!	
Type of cooling:	Water cooling
Wire diameter:	1.0–1.6 mm
Gas flow:	ca. 14 l/min
Standard:	Conform to EN 60 974-7
Connection:	Central connector WFI, WFEX suitable to MIG/MAG power sources of the manufacturer “fronius” Central connector WZ-2F (Euro-ZA)



RM 700 W, Water Cooled

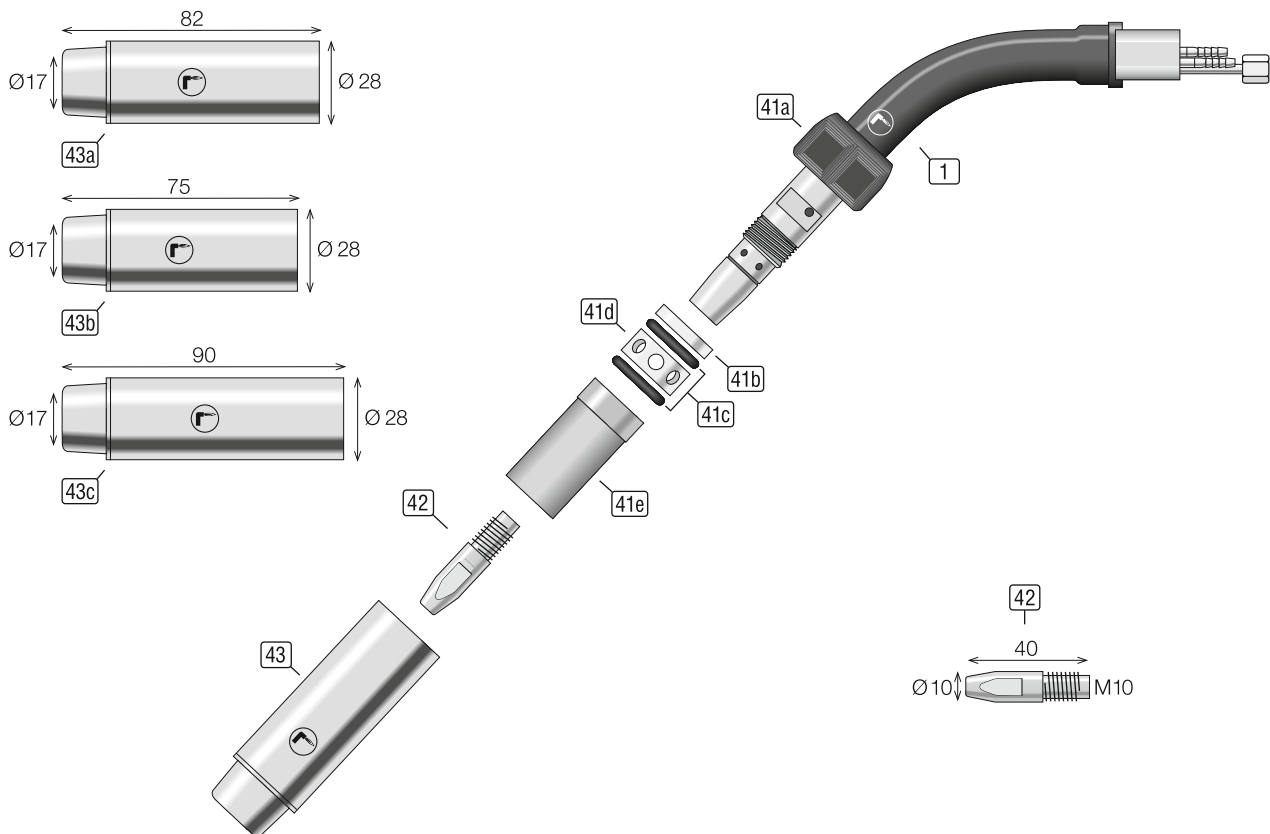
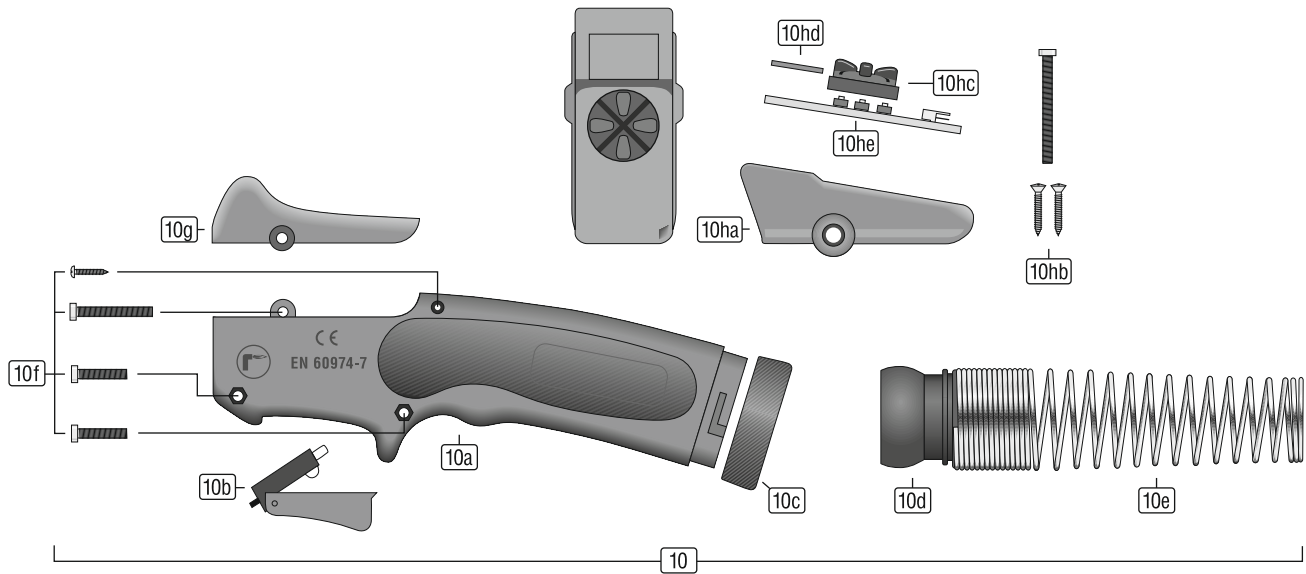
CO₂ – 700 A – 100 % Duty Cycle

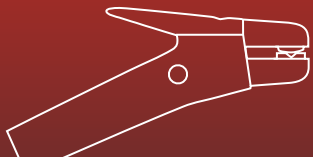
ArCO₂ – 650 A – 100% Duty Cycle

Handle RMC MIG

RMC MIG – standard

RMC MIG – Up/Down





MIG/MAG Torches MAP – RM 700 W

Water Cooled, CO₂ – 700 A – 100% Duty Cycle, ArCO₂ – 650 A – 100% Duty Cycle

Position	Article Description	Order Number
	RM 700 W/3.5 m, Standard, WFEX with 9 Pol	M.F000.W70SF35
	RM 700 W/4.5 m, Standard, WFEX with 9 Pol	M.F000.W70SF45
	RM 700 W/3.5 m, UpDown, WFEX with 9 Pol	M.F000.W70UF35
	RM 700 W/4.5 m, UpDown, WFEX with 9 Pol	M.F000.W70UF45
	RM 700 W/3.5 m, Standard, WFI with 9 Pol	M.F000.W70SZ35
	RM 700 W/4.5 m, Standard, WFI with 9 Pol	M.F000.W70SZ45
	RM 700 W/3.5 m, Standard, WZ-2F (Euro-ZA)	M.F000.W70SE35
	RM 700 W/4.5 m, Standard, WZ-2F (Euro-ZA)	M.F000.W70SE45

Replacement Parts Handle

Position	Article Description	Order Number
10	Handle SET RMC Standard MAP (water cooled)	M.0005.0111-RT
	Handle SET RMC UpDown MAP	M.0005.0112-RT
10a	Handle Pair RMC (le+ri) MAP red	M.0005.1110-RT
10b	Switch	M.T005.0106
10c	Lock Ring RMC	M.0005.1190
10d	Ball joint	M.T005.0105
10e	Bend Protection (Standard)	M.T005.0111
	Bend Protection (UpDown)	M.T005.0110
10f	Screw Set RMC	M.0005.1903
10g	Screw Set RMC	M.0005.1191-SW
10ha	Top Frame RMC Remote (le+ri) (UpDown)	M.0005.5101-SW
10hb	Screw Set RMC Remote	M.0005.1904
10hc	Switch Rubber RMC (UpDown)	M.0005.4101
10hd	Cover Window RMC (UpDown)	M.0005.5191-SW
10he	Circuit Board UpDown	M.0005.1217

Replacement Parts Swan Neck

Position	Article Description	Order Number
1	Swan Neck RM 700 W	M.F001.RM700W

Spare Parts

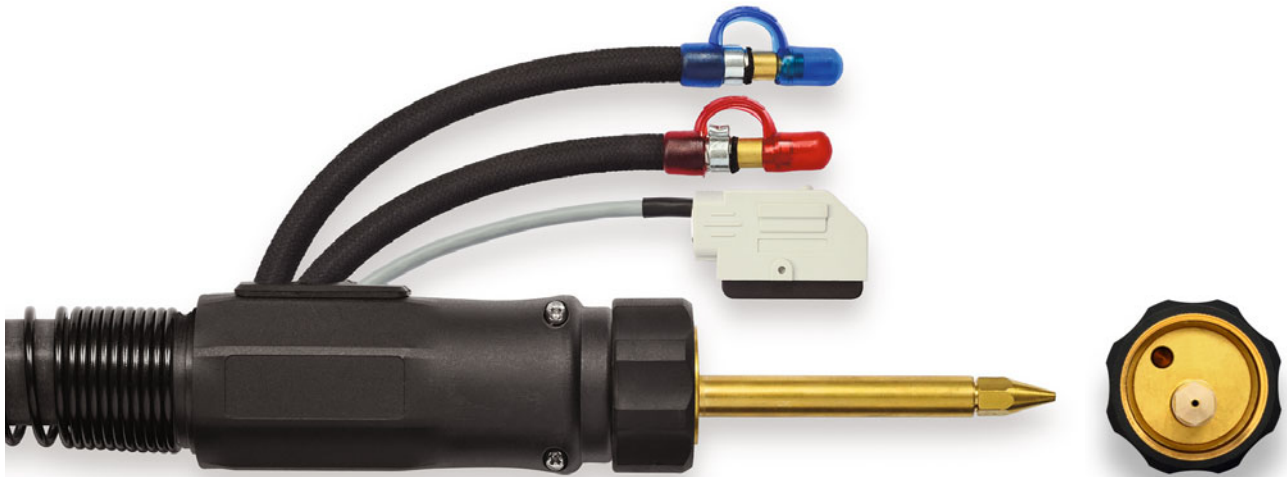
Position	Article Description	Order Number
41	Connection Kit / Watercooled Nozzle	M.F002.0151-0
41a	Nut M18x1.5	M.F002.0151-1
41b	Spacer Ring	M.F002.0151-2
41c	O-Ring	M.F002.0151-3
41d	Hole ring	M.F002.0151-4
41e	Sleeve	
42	Contact Tip CuCrZr M10, L=40 mm, Ø 1.0 mm	M.F004.0303
	Contact Tip CuCrZr M10, L=40 mm, Ø 1.2 mm	M.F004.0304
	Contact Tip CuCrZr M10, L=40 mm, Ø 1.4 mm	M.F004.0305
	Contact Tip CuCrZr M10, L=40 mm, Ø 1.6 mm	M.F004.0306
	Contact Tip CuCrZr M10, L=40 mm, Ø 1.0 mm ZB 4.1	M.F004.0322
	Contact Tip CuCrZr M10, L=40 mm, Ø 1.2 mm ZB 4.1	M.F004.0324
	Contact Tip CuCrZr M10, L=40 mm, Ø 1.4 mm ZB 4.1	M.F004.0326
	Contact Tip CuCrZr M10, L=40 mm, Ø 1.6 mm ZB 4.8	M.F004.0327
43	Gas Nozzle iØ 17.0 mm aØ 28 mm L=82 mm	M.F003.0301
	Gas Nozzle iØ 17.0 mm aØ 28 mm L=75 mm	M.F003.0302
	Gas Nozzle iØ 17.0 mm aØ 28 mm L=90 mm	M.F003.0303

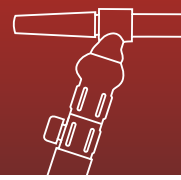
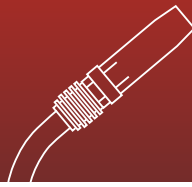
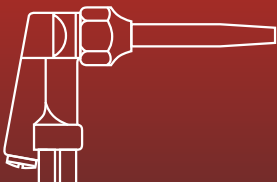
For information about torch packages, central connections and liners go to rubric 2.2.W.



2.2.W

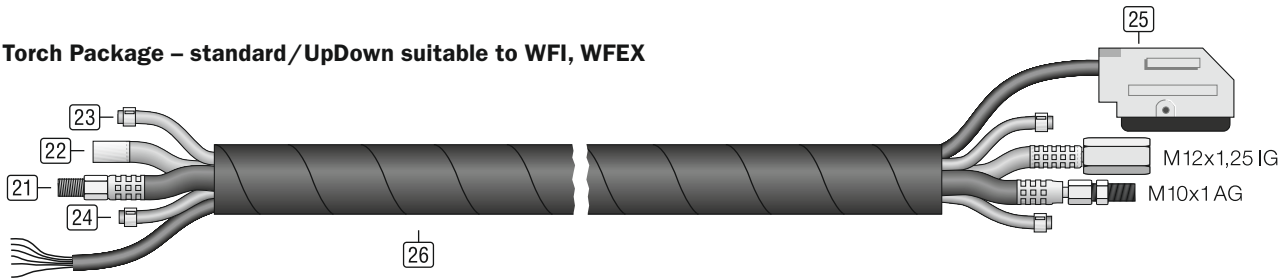
**Torch Packages
Central Connections
Liners
Water Cooled**



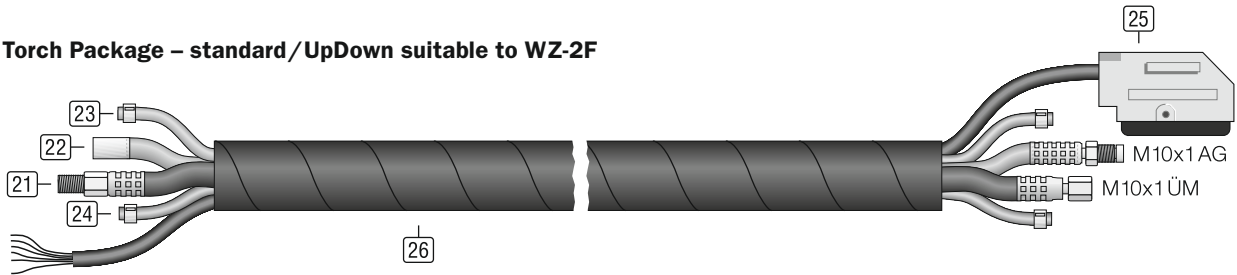


Torch Packages, Water Cooled

Torch Package – standard/UpDown suitable to WFI, WFEX

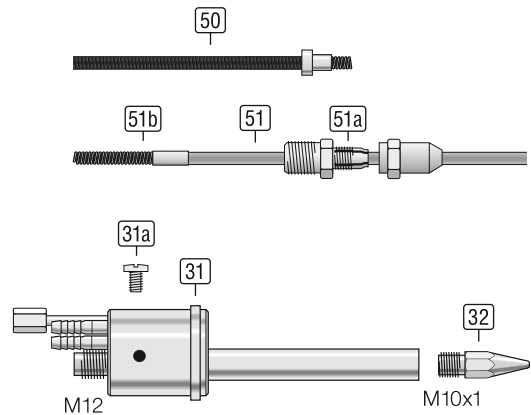
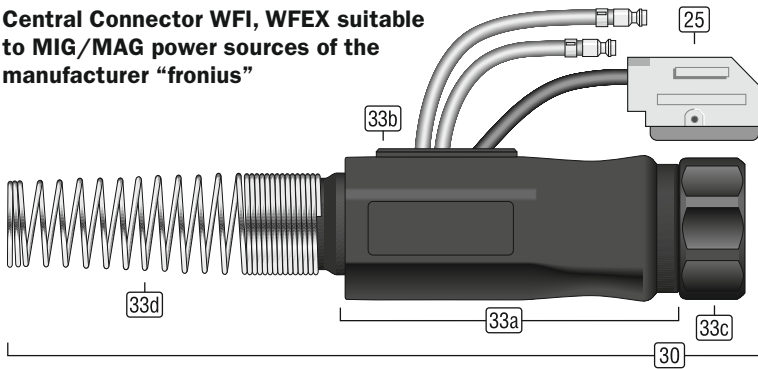


Torch Package – standard/UpDown suitable to WZ-2F

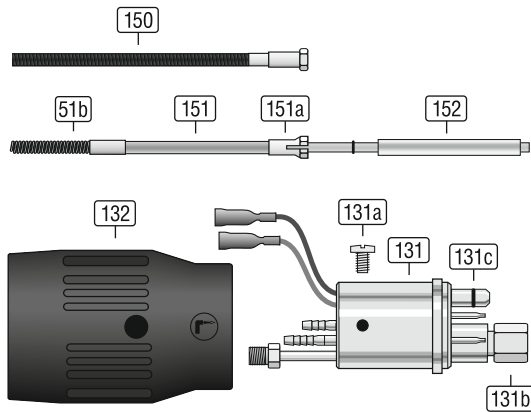
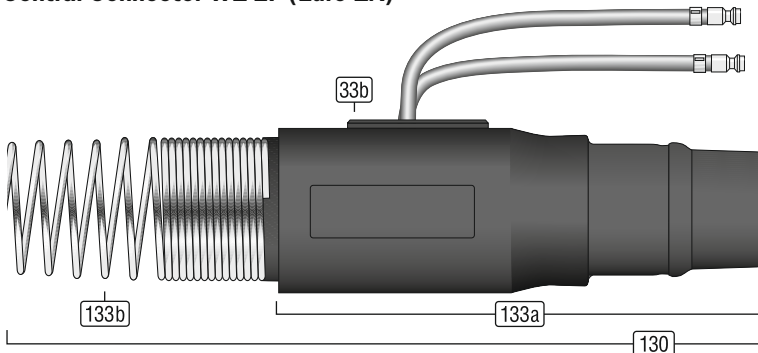


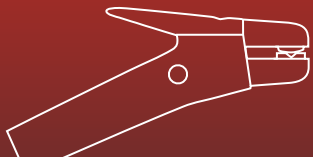
Central Connections, Water Cooled

Central Connector WFI, WFEX suitable to MIG/MAG power sources of the manufacturer "fronius"



Central Connector WZ-2F (Euro-ZA)





Replacement Parts Torch Package

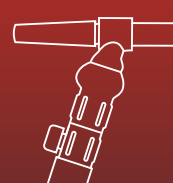
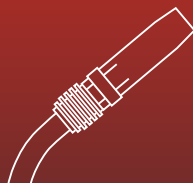
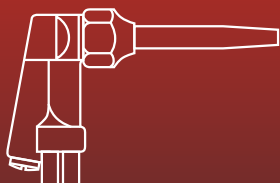
Position	Article Description	Order Number
	Package/3.5 m MAP Water Cooled, WFEX, WFI	M.F008.3035
	Package/4.5 m MAP Water Cooled, WFEX, WFI	M.F008.3045
21	Package/4.5 m MAP Water Cooled, Strand-Cu, MAP	M.F008.1035
	Power Cable/4.5 m, TIG-Cable, Strand-Cu, MAP	M.F008.1045
22	Wire Conduit/3.5 m, MAP, WFEX, WFI	M.F008.0035
	Wire Conduit/4.5 m, MAP, WFEX, WFI	M.F008.0045
	Wire Conduit/3.5 m, MAP, WZ-2F (Euro)	M.F008.0E35
	Wire Conduit/4.5 m, MAP, WZ-2F (Euro)	M.F008.0E45
23	Hose ID 5.0 OD 10.0 mm ECO-Fuel	85513K0510
24	Hose ID 4.0 OD 8.0 mm ECO-Fuel	85513K0408
25	Control Cable/3.5 m, MAP, 9 Pole (Std., UpDown)	M.F008.2135
	Control Cable/4.5 m, MAP, 9 Pole (Std., UpDown)	M.F008.2145
26	Cable Cover Sheet Canvas HSF iØ 28 mm black	85514542815

Replacement Parts Central Connector “WFEX” and “WFI”

Position	Article Description	Order Number
30	Central Connector SET WFEX	M.F007.0200
	Central Connector SET WFI	M.F007.0300
31	Plug Insert WFEX (Water External)	M.F007.0201
	Plug Insert WFI (Water Internal)	M.F007.0301
31a	Screw for Central Connector Block	M.F007.0430
32	Wire Tip Cap Ø 0.8, SW10, L=32.5	M.F007.0501
	Wire Tip Cap Ø 1.0, SW10, L=32.5	M.F007.0502
	Wire Tip Cap Ø 1.2, SW10, L=32.5	M.F007.0503
	Wire Tip Cap Ø 1.6, SW10, L=32.5	M.F007.0504
33a	Central Connector Case LF/WFEX/WFI	855151ZG6-040
33b	Cable inlet	855151ZG6-017
33c	Central Connector Case LF/WFEX/WFI	M.F007.0401
33d	Kink protection spring	855151ZG6-022
25	Control Cable/3.5 m, MAP, 9 Pole (Std., UpDown)	M.F008.2135
	Control Cable/4.5 m, MAP, 9 Pole (Std., UpDown)	M.F008.2145

Wire Liner for Connection “WFEX” and “WFI”

Position	Article Description	Order Number
50	Liner Steel/3.5 m Nude Wire, Ø 0.6–0.8 mm	M.F006.1135
	Liner Steel/4.5 m Nude Wire, Ø 0.6–0.8 mm	M.F006.1145
	Liner Steel/3.5 m Nude Wire, Ø 1.0–1.2 mm	M.F006.1235
	Liner Steel/4.5 m Nude Wire, Ø 1.0–1.2 mm	M.F006.1245
	Liner Steel/3.5 m Nude Wire, Ø 1.4–1.6 mm	M.F006.1335
	Liner Steel/4.5 m Nude Wire, Ø 1.4–1.6 mm	M.F006.1345
51	Liner Combi/3.5 m Blue Wire, Ø 0.6–0.8 mm	M.F006.3135
	Liner Combi/4.5 m Blue Wire, Ø 0.6–0.8 mm	M.F006.3145
	Liner Combi/3.5 m Red Wire, Ø 1.0–1.2 mm	M.F006.3235
	Liner Combi/4.5 m Red Wire, Ø 1.0–1.2 mm	M.F006.3245
	Liner Combi/3.5 m Yellow Wire, Ø 1.4–1.6 mm	M.F006.3335
	Liner Combi/4.5 m Yellow Wire, Ø 1.4–1.6 mm	M.F006.3345
51a	Wire Tip Cap Liner Combi	M.F006.3000
51b	Bronze spiral iØ 1.9	MSK-S-BR350-1
	Bronze spiral iØ 2.2	MSK-S-BR350-2

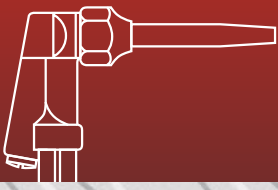


Replacement Parts Central Connector “WZ-2F” (Euro-ZA) with Spring Pin Contacts

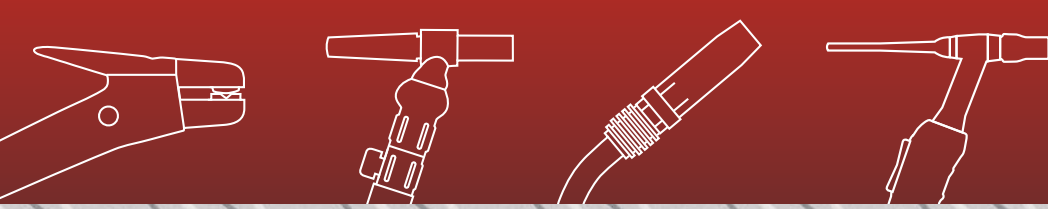
Position	Article Description	Order Number
130	Central Connector SET WZ-2F	M.T007.0010
131	Plug Insert WZ-2F with Spring Pin Contacts	M.T007.0201
131a	Screw for Central Connector Block	M.T007.0901
131b	Nut for Wire Guide	8551511ZDM
131c	O-Ring for Gas Pin	8551511ZOG
	Socket Red, 4 mm	85523RH4000RT
132	Connection nut	855151ZG7-222
133a	Central Connector Case watercooled	855151ZG6-24
33b	Cable inlet	855151ZG6-017
133c	Bend Protection Spring	855151ZG6-022

Wire Liner for Connection “WZ-2F” (Euro-ZA)

Position	Article Description	Order Number
150	Liner Steel/3.5 m Nude Wire Ø 0.6–0.8 mm	M.F006.5135
	Liner Steel/4.5 m Nude Wire Ø 0.6–0.8 mm	M.F006.5145
	Liner Steel/3.5 m Nude Wire Ø 1.0–1.2 mm	M.F006.5235
	Liner Steel/4.5 m Nude Wire Ø 1.0–1.2 mm	M.F006.5245
	Liner Steel/3.5 m Nude Wire Ø 1.4–1.6 mm	M.F006.5335
	Liner Steel/4.5 m Nude Wire Ø 1.4–1.6 mm	M.F006.5345
151	Liner Combi/3.5 m Blue Wire Ø 0.6–0.8 mm	M.F006.7135
	Liner Combi/4.5 m Blue Wire Ø 0.6–0.8 mm	M.F006.7145
	Liner Combi/3.5 m Red Wire Ø 1.0–1.2 mm	M.F006.7235
	Liner Combi/4.5 m Red Wire Ø 1.0–1.2 mm	M.F006.7245
	Liner Combi/3.5 m Yellow Wire Ø 1.4–1.6 mm	M.F006.7335
	Liner Combi/4.5 m Yellow Wire Ø 1.4–1.6 mm	M.F006.7345
151a	Nippel for Liner Plastic	MSK-H
51b	Bronze spiral iØ 1.9	MSK-S-BR350-1
	Bronze spiral iØ 2.2	MSK-S-BR350-2
152	Guide Tube	MSK-F-XXX
		XXX = 200, 300, 500, 1000 mm







For more information contact your local welding supply distributor.

