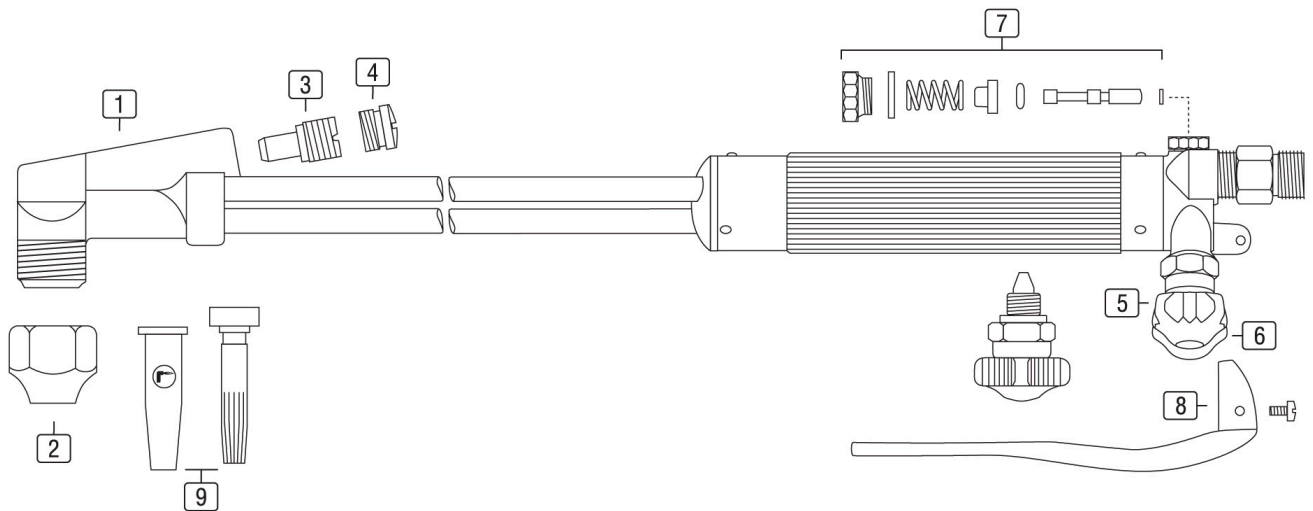


# Data Sheet

## Cutting Torch R62



00.DBL-S.KP0062

01/2019

## Cutting Torch R62

### Wearing parts

#	Item description	Part no
1	Cutting Torch head R62 75°	S.KP01.62-075
	Cutting Torch head R62 90°	S.KP01.62-090
	Cutting Torch head R62 180°	S.KP01.62-180
2	Nozzle nut R42/R62 L=25mm	S.KP02.00-01
3	Injector Seat for R62 Propane	S.KP02.62-01
	Injector Seat for R62 Acetylene	S.KP02.62-02
4	Cap injector R62	S.KP02.62-03
5	Valve Gas R62	S.KP05.62-01
6	Valve Oxigen R62	S.KP05.62-02
7	Repair Parts Kit R62	S.KP05.62-03
8	Repair Parts Kit R62	S.KP05.62-04
9	Cutting Nozzle AC00 Acetylene Cutting Range 2-10mm	95112400AC
	Cutting Nozzle AC0 Acetylene Cutting Range 10-15mm	9511240AC
	Cutting Nozzle AC1 Acetylene Cutting Range 15-25mm	9511241AC
	Cutting Nozzle AC2 Acetylene Cutting Range 25-50mm	9511242AC
	Cutting Nozzle AC3 Acetylene Cutting Range 50-100mm	9511243AC
	Cutting Nozzle AC4 Acetylene Cutting Range 100-175mm	9511244AC
	Cutting Nozzle AC5 Acetylene Cutting Range 175-250mm	9511245AC
	Cutting Nozzle NX00 Propane Cutting Range 5-10mm	95112500NX
	Cutting Nozzle NX0 Propane Cutting Range 10-15mm	9511250NX
	Cutting Nozzle NX1 Propane Cutting Range 15-25mm	9511251NX
	Cutting Nozzle NX2 Propane Cutting Range 25-50mm	9511252NX
	Cutting Nozzle NX3 Propane Cutting Range 50-70mm	9511253NX
	Cutting Nozzle NX4 Propane Cutting Range 75-150mm	9511254NX
	Cutting Nozzle NX5 Propane Cutting Range 150-200mm	9511255NX
	Cutting Nozzle NX6 Propane Cutting Range 200-300mm	9511256NX

### Components

#	Item description	Part no
	Cutting Torch R62 L=530mm 90° Propane Oxygen	S.KP00.62-0530-090P
	Cutting Torch R62 L=530mm 90° Acetylen Oxygen	S.KP00.62-0530-090A
	Cutting Torch R62 L=1000mm 75° Propane Oxygen	S.KP00.62-1000-075P
	Cutting Torch R62 L=1000mm 75° Acetylen Oxygen	S.KP00.62-1000-075A
	Cutting Torch R62 L=1500mm 75° Propane Oxygen	S.KP00.62-1500-075P
	Cutting Torch R62 L=1500mm 75° Acetylen Oxygen	S.KP00.62-1500-075A

**Other cutting torches in different lengths and special models possibel.**