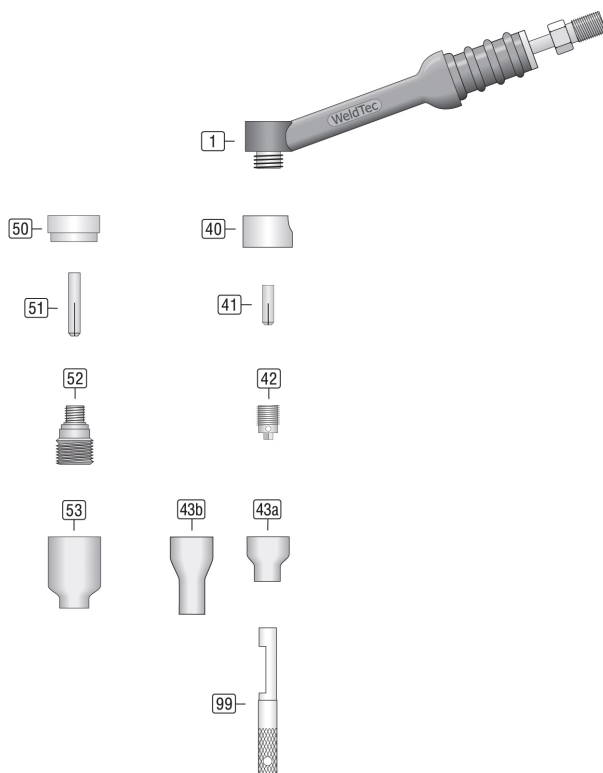




Scheda tecnica

WT24G

WeldTec



00.DBL-8560124G-124G

01/2022

TIG Torce WT24G

Attrezzatura

Pos.	Descrizione articolo	N. d'ordinazione
40	Isolatore [53N22] WT-24/24W	85504222-W
41	Pinze Ø0,5mm L=14mm [53N15] WT-24/24W	85113150-W
	Pinze Ø1,0mm L=14mm [53N16] WT-24/24W	85113160-W
	Pinze Ø1,6mm L=14mm [53N14] WT-24/24W	85113140-W
	Pinze Ø2,4mm L=14mm [24C332] WT-24/24W	85113320-W
42	Porta pinze Ø0,5mm [53N17] WT-24G/24W	85123170-W
	Porta pinze Ø1,0mm [53N18] WT-24/24W	85123180-W
	Porta pinze Ø1,6mm [53N19] WT-24/24W	85123190-W
	Porta pinze Ø2,4mm [24CB332] WT-24/24W	85123320-W
43a	Ugelli #6 iØ9,6mm L=16,5mm [53N27A] WT-24/24W	85253270-W
43b	Ugelli #6 iØ9,6mm L=29mm [53N26] WT-24/24W	85253260-W
50	Isolatore Diffusore a gas [53N66] WT-24/24W	85504660-W
51	Pinze Ø0,5mm L=23mm [53N62] WT-24/24W	85113620-W
	Pinze Ø1,0mm L=23mm [53N63] WT-24/24W	85113630-W
	Pinze Ø1,6mm L=23mm [53N64] WT-24/24W	85113640-W
	Pinze Ø2,4mm L=23mm [24GLC332] WT-24/24W	85113323-W
52	Diffusore a gas Ø0,5mm [45V41] WT-9/20/24/25 SW-320 WT-22/23	85134541-W
	Diffusore a gas Ø1,0mm [45V42] WT-9/20/24/25 SW-320 WT-22/23	85134542-W
	Diffusore a gas Ø1,6mm [45V43] WT-9/20/24/25 SW-320 WT-22/23	85134543-W
	Diffusore a gas Ø2,4mm [45V44] WT-9/20/24/25 SW-320 WT-22/23	85134544-W
53	Ugelli #4 iØ6,4mm L=25mm [53N58] WT-9/20/24/25 SW-320 WT-22/23	85253580-W
	Ugelli #5 iØ8,0mm L=25mm [53N59] WT-9/20/24/25 SW-320 WT-22/23	85253590-W
	Ugelli #6 iØ9,6mm L=25mm [53N60] WT-9/20/24/25 SW-320 WT-22/23	85253600-W
	Ugelli #7 iØ11,2mm L=25mm [53N61] WT-9/20/24/25 SW-320 WT-22/23	85253610-W
99	Chiavi [53N20] WT-24/60/125	85521002

I pezzi di ricambio

Pos.	Descrizione articolo	N. d'ordinazione
1	Corpo della torcia WT-24 raffreddata ad aria	8560124G