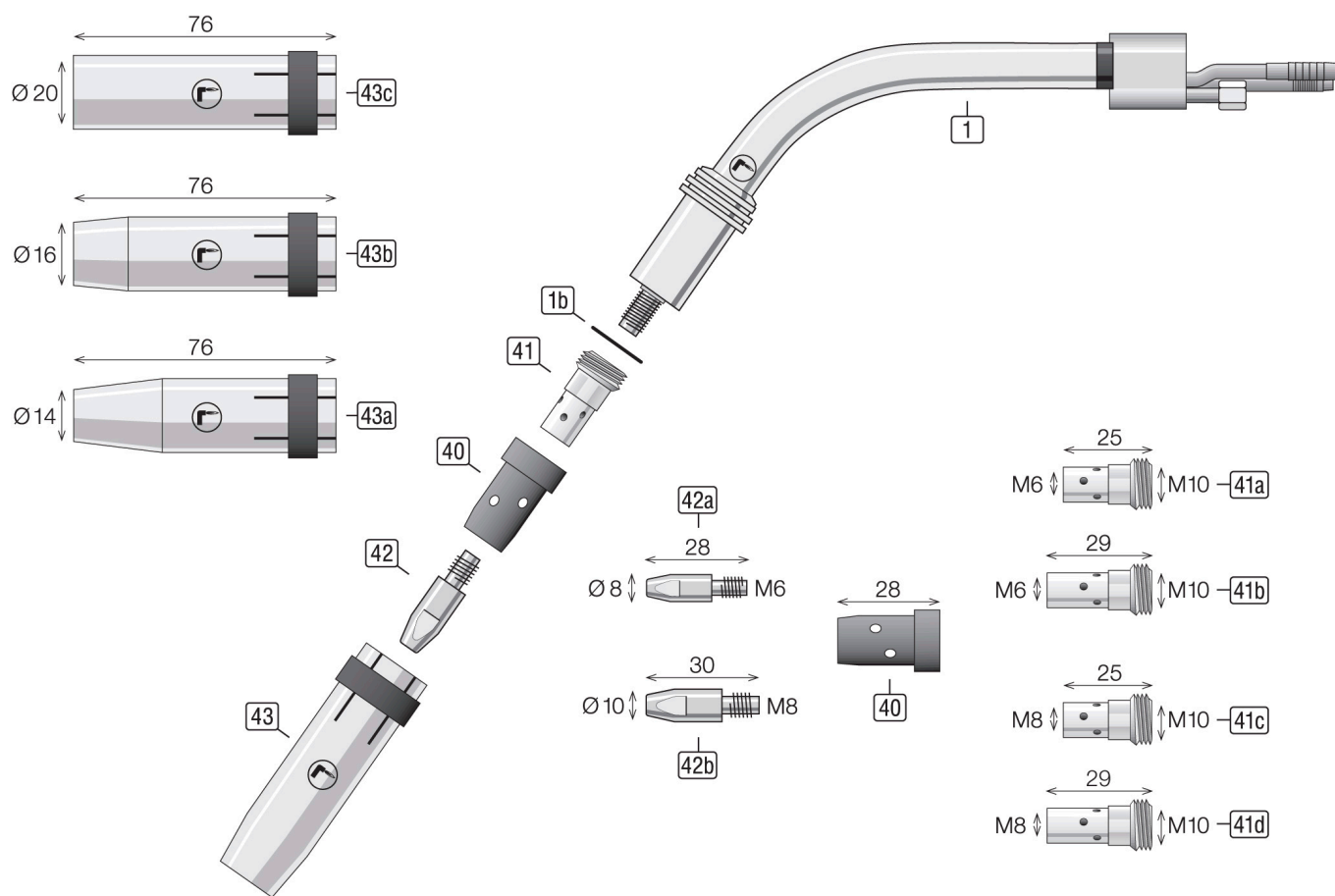




Datenblatt

Brenner M 401 EP



00.DBL-MBH401

neu

Ersatzteile

Pos.	Artikelbezeichnung	Artikel
1	Brennerkörper MEP-401 wassergekühlt	MBH401
1b	Isolierscheibe 20x9,5x1 MEP-350/401/501	MIS

Ausrüstungsteile

Pos.	Artikelbezeichnung	Artikel
40	Gasverteiler weiß Standard MEP-350/401/501/551	MGV401W
	Gasverteiler Keramik MEP-350/401/501/551	MGV401K
41a	Düsenstock M6 L=25mm MEP-350/401/501	MDSM10-M6X25
41b	Düsenstock M6 L=29mm MEP-350/401/501	MDSM10-M6X29
41c	Düsenstock M8 L=25mm Standard MEP-350/401/501/550SC	MDSM10-M8X25
41d	Düsenstock M8 L=29mm MEP-350/401/501/550SC	MDSM10-M8X29
42	Stromdüse E-Cu M6 L=28mm Ø0,8mm MEP-240/241/250/260/351	MSDECUM6X28-08
	Stromdüse E-Cu M6 L=28mm Ø1,0mm MEP-240/241/250/260/351	MSDECUM6X28-10
	Stromdüse E-Cu M6 L=28mm Ø1,2mm MEP-240/241/250/260/351	MSDECUM6X28-12
	Stromdüse E-Cu M6 L=28mm Ø0,8mm Alu MEP-240/241/250/260/351	MSDECUM6X28-08A
	Stromdüse E-Cu M6 L=28mm Ø1,0mm Alu MEP-240/241/250/260/351	MSDECUM6X28-10A
	Stromdüse E-Cu M6 L=28mm Ø1,2mm Alu MEP-240/241/250/260/351	MSDECUM6X28-12A
	Stromdüse E-Cu Ni M6 L=28mm Ø0,8mm MEP-240/241/250/260/351	MSDECNM6X28-08
	Stromdüse E-Cu Ni M6 L=28mm Ø1,0mm MEP-240/241/250/260/351	MSDECNM6X28-10
	Stromdüse E-Cu Ni M6 L=28mm Ø1,2mm MEP-240/241/250/260/351	MSDECNM6X28-12
	Stromdüse CuCrZr M6 L=28mm Ø0,8mm MEP-240/241/250/260/351	MSDCCZM6X28-08
	Stromdüse CuCrZr M6 L=28mm Ø0,9mm MEP-240/241/250/260/351	MSDCCZM6X28-09
	Stromdüse CuCrZr M6 L=28mm Ø1,0mm MEP-240/241/250/260/351	MSDCCZM6X28-10
	Stromdüse CuCrZr M6 L=28mm Ø1,2mm MEP-240/241/250/260/351	MSDCCZM6X28-12
42b	Stromdüse E-Cu M8 L=30mm Ø0,8mm MEP-350/360/401/501/551	MSDECUM8X30-08
	Stromdüse E-Cu M8 L=30mm Ø1,0mm MEP-350/360/401/501/551	MSDECUM8X30-10
	Stromdüse E-Cu M8 L=30mm Ø1,2mm MEP-350/360/401/501/551	MSDECUM8X30-12
	Stromdüse E-Cu M8 L=30mm Ø1,4mm MEP-350/360/401/501/551	MSDECUM8X30-14
	Stromdüse E-Cu M8 L=30mm Ø1,6mm MEP-350/360/401/501/551	MSDECUM8X30-16
	Stromdüse E-Cu M8 L=30mm Ø2,0mm MEP-350/360/401/501/551	MSDECUM8X30-20
	Stromdüse E-Cu M8 L=30mm Ø2,4mm MEP-350/360/401/501/551	MSDECUM8X30-24
	Stromdüse E-Cu M8 L=30mm Ø0,8mm Alu MEP-350/360/401/501/551	MSDECUM8X30-08A
	Stromdüse E-Cu M8 L=30mm Ø1,0mm Alu MEP-350/360/401/501/551	MSDECUM8X30-10A
	Stromdüse E-Cu M8 L=30mm Ø1,2mm Alu MEP-350/360/401/501/551	MSDECUM8X30-12A
	Stromdüse E-Cu M8 L=30mm Ø1,6mm Alu MEP-350/360/401/501/551	MSDECUM8X30-16A
	Stromdüse E-Cu Ni M8 L=30mm Ø0,8mm MEP-350/360/401/501/551	MSDECNM8X30-08
	Stromdüse E-Cu Ni M8 L=30mm Ø1,0mm MEP-350/360/401/501/551	MSDECNM8X30-10
	Stromdüse E-Cu Ni M8 L=30mm Ø1,2mm MEP-350/360/401/501/551	MSDECNM8X30-12
	Stromdüse CuCrZr M8 L=30mm Ø0,8mm MEP-350/360/401/501/551	MSDCCZM8X30-08
	Stromdüse CuCrZr M8 L=30mm Ø1,0mm MEP-350/360/401/501/551	MSDCCZM8X30-10
	Stromdüse CuCrZr M8 L=30mm Ø1,2mm MEP-350/360/401/501/551	MSDCCZM8X30-12
	Stromdüse CuCrZr M8 L=30mm Ø1,4mm MEP-350/360/401/501/551	MSDCCZM8X30-14
	Stromdüse CuCrZr M8 L=30mm Ø1,6mm MEP-350/360/401/501/551	MSDCCZM8X30-16
	Stromdüse CuCrZr M8 L=30mm Ø2,0mm MEP-350/360/401/501/551	MSDCCZM8X30-20
	Stromdüse CuCrZr M8 L=30mm Ø2,4mm MEP-350/360/401/501/551	MSDCCZM8X30-24
43a	Gasdüse NW14,0 L=76mm stark konisch MEP-260/350/401/501/551	MGDK401-140
43b	Gasdüse NW16,0 L=76mm konisch MEP-260/350/401/501/551	MGDK401-160
43c	Gasdüse NW20,0 L=76mm zylindrisch MEP-260/350/401/501/551	MGDZ401-200
	Punktgasdüse NW20,0 L=85mm MEP-260/350/401/501/551	MGDP401-200