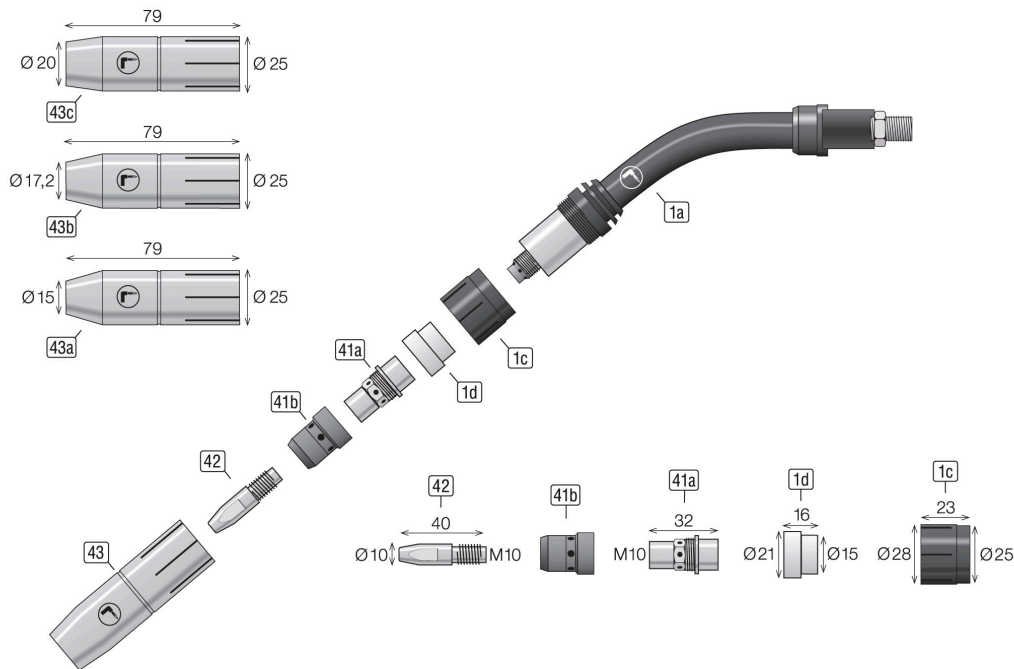




# Datenblatt

## Brenner RM400L



00.DBL-M.F001.RM400L

06-2022

### Ersatzteile

Pos.	Artikelbezeichnung	Artikel
1a	Brennerkörper RM400L luftgekühlt	M.F001.RM400L

### Ausrüstungsteile

Pos.	Artikelbezeichnung	Artikel
1c	Fixierhülse iØ25mm aØ28mm L=23mm RM400L/500W	M.F002.0221
1d	Isolerring iØ15mm aØ21mm L=16mm RM400L	M.F002.0121
41a	Düsenstock M10 SW13 L=32mm RM400L/500W	M.F002.0321
41b	Spritzerschutz iØ10,1mm aØ20,8mm L=28,5mm RM400L/500W R5T	M.F002.0401
42	Stromdüse CuCrZr M10 L=40mm Ø0,8mm RM400L/500W	M.F004.0301
	Stromdüse CuCrZr M10 L=40mm Ø0,9mm RM400L/500W	M.F004.0302
	Stromdüse CuCrZr M10 L=40mm Ø1,0mm RM400L/500W	M.F004.0303
	Stromdüse CuCrZr M10 L=40mm Ø1,2mm RM400L/500W	M.F004.0304
	Stromdüse CuCrZr M10 L=40mm Ø1,4mm RM400L/500W	M.F004.0305
	Stromdüse CuCrZr M10 L=40mm Ø1,6mm RM400L/500W	M.F004.0306
	Stromdüse CuCrZr M10 L=40mm Ø0,9mm ZB4,1 RM400L/500W - Alu-Draht	M.F004.0321
	Stromdüse CuCrZr M10 L=40mm Ø1,0mm ZB4,1 RM400L/500W - Alu-Draht	M.F004.0322
	Stromdüse CuCrZr M10 L=40mm Ø1,2mm ZB4,1 RM400L/500W - Alu-Draht	M.F004.0324
	Stromdüse CuCrZr M10 L=40mm Ø1,4mm ZB4,1 RM400L/500W - Alu-Draht	M.F004.0326
	Stromdüse CuCrZr M10 L=40mm Ø1,6mm ZB4,8 RM400L/500W - Alu-Draht	M.F004.0327
43a	Gasdüse iØ15,0 L=79,0mm stark konisch RM400L/500W	M.F003.0124
43b	Gasdüse iØ17,2 L=79,0mm konisch RM400L/500W	M.F003.0122
43c	Gasdüse iØ20,0mm L=79,0mm zylindrisch RM400L/500W	M.F003.0121